

**Four Rivers Sanitation Authority
Rockford, Illinois**

**Bidding Requirements and Contract Forms
for**

2026-2027 Service Cleanout Installations

Capital Project No. 2701

Four Rivers Sanitation Authority Rockford, Illinois

Bidding Requirements and Contract Forms
and
General Provisions and Technical Specifications
for Sanitary Sewer Construction
for

2026-2027 Service Cleanout Installations

Capital Project No. 2701

Board of Trustees

Richard Pollack	President
Ben Bernsten	Vice President
Richard Mowris	Clerk/Treasurer
Ginger Haas	Trustee
Brad Long	Trustee

Official

Christopher T. Baer, PE	Executive Director
Matthew L. Campbell, PE	Director of Engineering

Section I

Bidding Requirements

Not to be used for bidding purposes

Article 1 — Notice to Bidders

The Four Rivers Sanitation Authority (FRSA) will receive signed and sealed bids for the 2026-2027 Service Cleanout Installations, Capital Project No. 2701, at the Steve Graceffa Administration Building (Administration Building) at 3501 Kishwaukee Street, Rockford, Illinois until 10:00 a.m. on Wednesday, April 15, 2026 at which time and place responsive/ responsible bids will be publicly opened and read aloud.

The 2026-2027 Service Cleanout Installations, Capital Project No. 2701, project consists of the installation of PVC cleanout risers on existing sanitary sewer services, the replacement of existing clay sewer service pipe with PVC pipe, the connection of PVC sewer services to sewer mains, and all other appurtenances indicated on the plans and in the specifications.

Bidder's attention is called to Article 2 – Instructions to Bidders, Section 3.7 and 3.8. Pursuant to Section 3.7, each proposal must be accompanied by fully executed copies of the Fair Employment Practices Affidavit and the Affidavit of Compliance: Responsible Bidder Ordinance. Pursuant to Section 3.8 requirements for Statement of Qualifications, Bidder must have a permanent business office within forty (40) miles of FRSA's office at 3501 Kishwaukee Street in Rockford, Illinois.

All demolition, construction, installation and associated Project work shall be completed by October 31, 2026. Liquidated damages shall be \$300.00 per calendar day.

Bid documents may be obtained at a cost of \$50.00 per set (non-refundable) by contacting the FRSA Engineering Department at 815-387-7660.

Plans and specifications may also be viewed at the offices of the Northern Illinois Building Contractors Association at 1111 S. Alpine Rd, Rockford, Illinois. For more information, visit the FRSA website at fourrivers.illinois.gov.

All construction shall be done in accordance with specifications on file with FRSA, including the *General Provisions and Technical Specifications for Sanitary Sewer Construction, Four Rivers Sanitation Authority* (Current Edition).

Each Proposal must be accompanied by the FRSA Bid Bond form with an acceptable Bid Security attached, in the amount of five percent (5%) of the total bid price. This amount is a guarantee that, if the Proposal is accepted, a Contract will be entered into and its performance properly secured.

The successful bidder will be required to furnish a satisfactory Performance Bond in the full amount of the Bid or Proposal. No Bid shall be withdrawn without FRSA's consent for a period of sixty (60) days after the scheduled closing time for receipt of bids.

FRSA reserves the right to reject any or all bids, or any part thereof, or to accept any bid or any part thereof, or to waive any formalities in any bids, deemed to be in the best interest of FRSA.

Dated this 20th day of March, 2026.


BY: Christopher T. Baer, PE, Executive Director

Article 2 — Instructions to Bidders

1 General

1.1 Scope and Intent

This section of the Contract Documents provides detailed information and requirements for preparing bids to prospective bidders, bidders' responsibility, the preparation and the submission of bids, basis for awarding the Contract and other general information concerned with bidding and executing the Contract.

1.2 Contradictions

If in the case of apparent contradictions between or among the Contract Documents, the Contract Documents shall be consulted in the following order: Addenda, Agreement, Supplementary Drawings, Instructions to Bidders, Detailed Specifications, Plans, Four Rivers Sanitation Authority (FRSA) General Provisions and Technical Specifications for Sanitary Sewer Construction. The language in the first such document in which language regarding the conflict, error or discrepancy occurs shall control.

2 Legal Requirements

2.1 Illinois Regulations

A. Public Act 100-1177 (820 ILCS 130/) entitled the "Prevailing Wage Act" requires the Bidder to comply with prevailing wages in accordance with the Illinois Department of Labor Standards. The State of Illinois requires contractors and subcontractors on FRSA projects to submit certified payroll reports via the State's Certified Transcript of Payroll Portal currently found at: <https://labor.illinois.gov/laws-rules/conmed/certifiedtranscriptofpayroll.html>. The Bidder is responsible for verifying current information at the State's website.

B. Public Act 83-1030 (30 ILCS 565/) entitled the "Steel Products Procurement Act" requires that steel products used or supplied in performance of this Contract or subcontract must be manufactured or produced in the United States with three exceptions.

The provisions of this Section shall not apply:

1. Where the Contract involves an expenditure of less than \$500.
2. Where the executive head of the public agency certifies in writing that
 - a) the specified products are not manufactured or produced in the United States in sufficient quantities to meet the agency's requirements, or
 - b) obtaining the specified products, manufactured or produced in the United States would increase the cost of the Contract by more than 10%.
3. When its application is not in the public interest.

C. Public Act 96-929 (30 ILCS 570/) entitled the "Employment of Illinois Workers on Public Works Act" provides that Illinois residents be employed on Illinois public works projects, provided there has been a period of excessive unemployment (5%) in the State of Illinois as defined in the Act; and, further, that Illinois workers are available and capable of performing the particular type work involved.

D. Public Act 101-221 (820 ILCS 96/) entitled the “Workplace Transparency Act” requires that any party to a contract adopt and promulgate written sexual harassment policies that include, as a minimum, the following information:

1. the illegality of sexual harassment
2. the definition of sexual harassment under Illinois State law
3. a description of sexual harassment, utilizing examples
4. my (our) organization's internal complaint process including penalties
5. the legal recourse, investigative and complaint process available through the Illinois Department of Human Rights and the Illinois Human Rights Commission
6. directions on how to contact the Department and the Commission
7. protection against retaliation as provided by Section 6-101 of the Illinois Human Rights Act

Upon request, this information must be provided to the Illinois Department of Human Rights and the FRSA.

- E. With regard to nondiscrimination in employment, the Contractor for this project will be required to comply with the Illinois Fair Employment Practices Commission's Rules and Regulations.
- F. The Contractor for this project must comply with the Occupational Safety and Health Act.
- G. The Contractor for this project must comply with the Federal Drug-Free Workplace Act.
- H. Public Act 96-1416 requires the Certification of Clean Construction and Demolition Debris (CCDD) and uncontaminated soil prior to disposal at a CCDD fill site. The Contractor for this project must comply with Public Act 96-1416 and be responsible for the certifications and any fees associated with the disposal at a CCDD fill site.
1. In the event that contaminated soil is uncovered on the project, the Contractor must notify FRSA immediately. Any extra costs resulting from the presence of contaminated soil must be evaluated in accordance with FRSA General Provisions & Technical Specs for Sanitary Sewer Construction; General Conditions: Article 5 – Time Provisions and Article 8 – Changes.

2.2 Americans with Disabilities Act

The Contractor for this project will comply with all applicable requirements of the Americans with Disabilities Act of 1990 (ADA). The Contractor will hold harmless and indemnify Four Rivers Sanitation Authority (FRSA) and their representatives from all:

- A. suits, claims, or actions
- B. costs, either for defense (including but not limited to reasonable attorney's fees and expert witness fees) or for settlement
- C. damages of any kind (including but not limited to actual, punitive, and compensatory damages) relating in any way to or arising out of the ADA, to which said firm is exposed or which it incurs in the execution of the Contract.

3 General Instructions

3.1 Bidder's Responsibility

Bidders are cautioned not to submit proposals until having carefully examined the entire site of the proposed work and adjacent premises and the various means of approach and access to the site, and having made all necessary investigations to inform themselves thoroughly as to the facilities for delivering, placing and handling the materials at the site, and having informed themselves thoroughly as to all difficulties involved in the completion of all the work under this Contract in accordance with its requirements.

Bidders must examine the Plans, Specifications and other Contract Documents and shall exercise their own judgment as to the nature and amount of the whole of the work to be done and for the bid prices must assume all risk of variance, by whomsoever made, in any computation or statement of amount or quantities necessary to complete fully the work in strict compliance with the Contract Documents. The Bidder must satisfy himself by making borings or test pits, or by such methods as he may prefer, as to the character and location of the materials to be encountered or work to be performed. No pleas of ignorance of conditions that exist or that may hereafter exist, or of conditions or difficulties that may be encountered in the execution of the work under this Contract, as a result of failure to make the necessary examinations and investigations, will be accepted as an excuse for any failure or omission on the part of the Contractor to fulfill, in every detail, all of the requirements of the Contract Documents, or will be accepted as a basis for any claims whatsoever for extra compensation or for an extension of time.

The Contractor is responsible for verifying the location of all existing utilities in the project areas.

The Bidder, therefore, shall satisfy himself by such means as he may deem proper as to the location of all structures that may be encountered in construction of the work.

3.2 Addenda and Interpretations

No interpretation of the meaning of the Plans, Specifications, or other Contract Documents will be made to any bidder orally. Every request for such interpretation must be in writing addressed to Four Rivers Sanitation Authority, 3501 Kishwaukee Street, Rockford, Illinois. To be given consideration, such request must be received at least five (5) days prior to the date fixed for the opening of bids. Any and all such interpretations and any supplemental instructions will be in the form of written addenda which, if issued, will be sent by email, fax, or certified mail with acknowledgement of receipt requested, to all prospective bidders, at the respective addresses furnished for such purposes, not later than three (3) days prior to the date fixed for the opening of bids. Failure of any bidder to receive any such addenda or interpretation shall not relieve said bidder from any obligation under his bid as submitted. All addenda so issued shall become part of the Contract Documents.

3.3 Laws and Regulations

The prospective bidder is warned that he must comply with all laws of the United States Government, State of Illinois, all ordinances and regulations of FRSA in the performance of the work under this Contract. The Bidder's attention is specifically called to that provision of the General Conditions regarding the rate of wage to be paid on the work.

3.4 Quantities Estimated Only

Bidders are warned that the estimate of quantities of the various items of work and materials, as set forth in the Proposal form, is approximate only and is given solely to be used as a uniform basis for the comparison of bids. The quantities actually required to complete the Contract work may be less or more than so estimated, and if awarded a contract for the work specified, the Contractor further agrees that he will not make any claim for damages or for loss of profits or for an extension of time because of a difference between the quantities of the various classes of work assumed for comparison of bids and quantities of work actually performed.

3.5 Form, Preparation, and Presentation of Proposals

For particulars as to the quantity and quality of the supplies, materials and equipment to be furnished, and the nature and extent of the work or labor to be done, prospective bidders are referred to the Contract Documents, which may be examined or obtained at the office of FRSA.

Each bid will be submitted upon the prescribed Proposal form. All blank spaces for bid prices must be filled in, in ink, with the unit or total sum or both for which the Proposal is made. If the Proposal contains any omissions, erasures, alterations, additions or items not called for in the itemized Proposal, or contains irregularities of any kind, such may constitute sufficient cause for rejection of bid. In case of any discrepancy in the unit price or amount bid for any item in the Proposal, the unit price as expressed in figures will govern. In no case is the agreement form to be filled out or signed by the bidder.

Bidders may opt to contact FRSA's Engineering Department at 815.387.7660 to obtain an electronic Proposal form. If used, this form must be attached to the hard copy Proposal form and appropriately signed and executed with the bid.

The bid must be verified and be presented on the prescribed form in a sealed envelope on or before the time and at the place stated in the Advertisement for Bids, endorsed with the name of the person, firm or corporation presenting it, the date of presentation, and the title of the work for which the bid is made. If forwarded by mail, the sealed envelope containing the Proposal and marked as directed above, must be enclosed in another envelope addressed to Clerk of the Four Rivers Sanitation Authority, 3501 Kishwaukee Street, Rockford, Illinois, 61109 and be sent preferably by certified mail. FRSA will not accept facsimile generated bids.

3.6 Bid Security

Each Proposal must be accompanied by the FRSA Bid Bond form with an acceptable Bid Security attached, in the amount specified in Article One, Notice to Bidders. This sum is a guarantee that, if the Proposal is accepted, a contract will be entered into and its performance properly secured. The FRSA's Bid Bond Form included in the bid packet must be used. No other Bid Bond form may be substituted.

Within ten (10) days after the award of the bid, the deposits of all but the three lowest bidders will be returned. The deposits of the remaining two unsuccessful bidders will be returned within three (3) days after the execution of the Contract, or, if no such Contract has been executed, within sixty (60) days after the date of opening bids. The deposit of the successful bidder will be returned only after he has duly executed the Contract and furnished the required bond and insurance.

3.7 Affidavit of Compliance

Each proposal must be accompanied by fully executed original copies of the Fair Employment Practices Affidavit of Compliance and the Affidavit of Compliance: Responsible Bidder

Ordinance, both of which are enclosed with the Proposal packet. Failure to submit executed original copies of both affidavits with the Proposal may constitute sufficient cause for rejection of the bid.

3.8 Statement of Qualifications

Each Proposal must be accompanied by a Statement of Qualifications certifying that the bidder is registered to do business in the State of Illinois, has a permanent business office within forty (40) miles of the FRSA office at 3501 Kishwaukee Street in Rockford, IL, and provides documentation that the bidder possesses the appropriate financial, material, equipment, facility and personnel resources and expertise necessary to meet all contractual obligations. The bidder shall document no less than three (3) contracts for sanitary sewer system work within the past five (5) years having equal or greater value to the bid being submitted. FRSA reserves the right to request additional information, as needed, to evaluate bids prior to making an award.

3.9 Comparison of Proposals

Bids on item contracts will be compared on the basis of a total computed price arrived at by taking the sum of the estimated quantities of each item, multiplied by the corresponding unit prices and including any lump sum bids on individual items, in accordance with the estimate of quantities set forth in the Proposal form. Bids on lump sum contracts will be considered upon the basis of the lowest sum bid.

3.10 Acceptance of Bids and Basis of Award

The contract will be awarded, if at all, to the lowest responsive, responsible bidder. No bidder may withdraw his bid after the scheduled closing time for receipt of bids, for at least sixty (60) days. Four Rivers Sanitation Authority also reserves the right to reject any of all bids.

The bidder whose proposal is accepted will be notified of the Notice of Award issued by FRSA Executive Director. Within ten (10) days of issuance of a Notice of Award by the FRSA Executive Director, the successful bidder shall enter into a written contract for the performance of the Proposal work and shall furnish the required bonds and insurance certificates upon being served such Notice, personally, by mailing, or via email.

If the bidder does not comply with the Notice of Award, FRSA will issue a Deficiency Notice. If the bidder to whom the contract is awarded refuses or neglects to execute it or fails to furnish the required bond and insurance within five (5) days after receipt by him of Deficiency Notice, the amount of his deposit shall be forfeited and shall be retained by FRSA as liquidated damage and not as a penalty. It being now agreed that said sum is a fair estimate of the amount of damages that FRSA will sustain in case said bidder fails to enter into a contract and furnish the required bond and insurance. No plea of mistake in the bid shall be available to the bidder for the recovery of his deposit or as a defense to any action based upon the neglect or refusal to execute a contract.

3.10.1 Evaluation of Responsiveness

The responsiveness of bidders will be judged on the basis of the completeness of the bid submitted. To be responsive, a Bid must be submitted on the forms provided as part of the Bid Documents and comply with all the requirements of the Instruction to Bidders.

3.10.2 Evaluation of Responsibility

To be judged as responsible, the bidder shall:

- A. Have adequate financial resources for performance, the necessary experience, organization, technical qualifications, and facilities, or a firm commitment to obtain such by subcontracts;
- B. Be able to comply with the required completion schedule for the project;
- C. Have a satisfactory record of integrity, judgment, and performance, including, in particular, any prior performance on contracts from FRSA;
- D. Have an adequate financial management system and audit procedures, that provide efficient and effective accountability and control of all property, funds, and assets;
- E. Conform to the civil rights, equal employment opportunity and labor law requirements of the Bid Documents.
- F. Have satisfactorily completed no less than three (3) sanitary sewer system repair contracts within the past five (5) years of equal or greater value to the bid being submitted.

3.11 The Rejection of Bids

FRSA reserves the right to reject any bid if the evidence submitted in the statement of the bidder's qualifications, or if investigation of such bidder fails to satisfy FRSA that such bidder is properly qualified to carry out the obligations and to complete the work contemplated therein. Any or all proposals will be rejected if there is reason to believe that collusion exists among the bidders. Conditional bids will not be accepted. FRSA reserves the right to reject any and all bids and to accept the bid which they deem most favorable to the interest of FRSA after all Proposals have been examined and canvassed.

3.12 Insurance and Bonding

Contractor shall provide all necessary insurance and bonds required to complete the project. No more than ten (10) calendar days subsequent to FRSA's issuance of an award letter, the Contractor shall provide documentation to prove that he has obtained all required insurance and bonds. FRSA shall be the sole judge as to the acceptability of any such proof.

Contractor shall provide and maintain all insurance and bonds as required by FRSA.

3.12.1 General

The Contractor shall ensure that:

- A. All insurance policies shall be specific to the project.
- B. The insurance certificate shall state: This certifies that the insurance coverage meets or exceeds that required for 2026-2027 Service Cleanout Installations, Capital Project No. 2701.
- C. FRSA shall be named as Additional Insured in all policies; this shall include the Owners' Contractors' Protective Policy option.
- D. All completed operations coverages and bonds shall remain in force for a period of two (2) years following acceptance of the Project and completed operations shall stay in force for two (2) years following completion of the Project.

3.12.2 Insurance

The Contractor shall, for the duration of the Contract and for two (2) years following project acceptance, maintain the following:

- A. **General Liability**: \$1,000,000 combined single limit per occurrence for bodily injury, personal injury and property damage. If Commercial General Liability Insurance or other form with a general aggregate limit is used, either the general aggregate limit shall apply separately to this project or the general aggregate limit shall be twice the required occurrence limit. The Contractor shall provide "XCU" coverage.
- B. **Automobile Liability**: \$1,000,000 combined single limit per accident for bodily injury and property damage including coverages for owned, hired or non—owned vehicles, as applicable.
- C. **Workers' Compensation and Employers Liability**: Workers' Compensation limits as required by statute and Employers Liability limits of \$500,000 per accident and \$500,000 per disease.
- D. **Umbrella**: \$2,000,000 per occurrence/aggregate for contracts valued at \$500,000 or over, or \$1,000,000 for contracts below \$500,000. \$10,000 is maximum allowable self-retained limit.
- E. **Errors and Omissions**: If the Contractor performs professional services, he shall maintain errors and omissions insurance with a limit no lower than \$1,000,000 for the duration of the contract.

The policies shall contain, or be endorsed to contain, the following provisions in the General Liability and Automobile Liability Coverage's:

1. Unless otherwise provided in paragraph "c" of this section, FRSA, its officers, officials, employees and volunteers shall be covered as additional insureds as respects liability arising out of activities performed by or on insured's general supervision of the Contractor, products and completed operations of the Contractor, premises owned, occupied or used by the Contractor, or automobiles owned, leased, hired or borrowed by the Contractor. The coverage shall contain no special limitations on the scope of protection afforded to FRSA, its officers, officials, employees, volunteers, or agents.
2. Unless otherwise provided in paragraph "c" of this section, the Contractor's insurance coverage shall be primary insurance as respects FRSA, its officers, officials, employees, volunteers, and agents. Any insurance or self-insurance maintained by FRSA, its officers, officials, employees, volunteers, or agents shall be excess of the Contractor's insurance and shall not contribute with it.
3. As an acceptable alternative to provisions "a" and "b" of this section, the Contractor may provide owner's and contractor's protective liability insurance with coverage limits, named insureds, and in conformity with all applicable specifications of this section.
4. Any failure to comply with reporting provisions of the policies shall not affect coverage provided to FRSA, its officers, officials, employees, volunteers, or agents.
5. The Contractor's insurance shall apply separately to each insured against whom claim is made or suit is brought, except with respect to the limits of the insurer's liability.
6. All Coverages — Each insurance policy required by this clause shall not be suspended, voided, canceled by either party, reduced in coverage, or in limits except after thirty (30) days' prior written notice by certified mail, return receipt requested, has been given to FRSA.

3.12.3 Best's Ratings

FRSA shall be the sole judge of whether or not said insurer's ratios are satisfactory. FRSA's decision shall be final and FRSA's bidding procedures contain no appeal provision.

- A. **Alphabetical Rating:** For purposes of this Request for Bids, "insurer" shall mean any surety, insurance carrier, or other organization which proposes to provide an insurance policy or bond for the Contractor. No insurer or surety rated lower than "A-, Excellent" in the current *Best's Key Rating Guide* shall be acceptable to FRSA.
- B. **Financial Size Rating:** Provided an insurer's alphabetical rating is satisfactory, FRSA will examine said insurer's financial size rating.
 1. If **Best** classifies the insurer XII or larger, said insurer shall be acceptable to FRSA.
 2. If **Best** classifies the insurer as smaller than XII, but larger than VI, said insurer shall be submitted to FRSA's Director of Management Services and/or FRSA's insurance consultant for review.

Financial Size ratings less than VII are not acceptable and will disqualify the Contractor.

3.12.4 Performance Bond and Labor & Materials Payment Bond Form

The Contractor shall provide a Performance Bond and Labor & Materials Payment Bond form acceptable to FRSA. The performance bond shall be for either 100% of the contract price or for the Contractor's unit price times the estimated number of units, as applicable.

This Request for Bids contains a Performance Bond and a Labor & Material Bond form for the Contractor's use.

If the Contractor fails to provide acceptable bonds within the specified time, he shall be in default.

3.12.5 Correction of Contractor's Insurance or Bond Deficiencies

If FRSA determines that the Contractor's insurance or bond documentation does not conform to these specifications, FRSA shall inform said Contractor of the non-conformity. If said Contractor fails to provide conforming insurance or bond documentation within five (5) calendar days of FRSA's deficiency notice, he shall be in default.

3.12.6 Indemnification Clause

Contractor shall protect, indemnify, hold and save harmless and defend FRSA, its officers, officials, employees, volunteers, and agents against any and all claims, costs, causes, actions and expenses, including but not limited to attorney's fees incurred by reason of a lawsuit or claim for compensation arising in favor of any person, including the employees, officers, independent contractors, or subcontractors of the Contractor or FRSA, on account of personal injuries or death, or damages to property occurring, growing out of, incident to, or resulting directly or indirectly from the performance by the Contractor or subcontractor, whether such loss, damage, injury or liability is contributed to by the negligence of FRSA or by premises themselves or any equipment thereon whether latent or patent, or from other causes whatsoever, except that the successful bidder shall have no liability for damages or the costs incident thereto caused by the sole negligence of FRSA.

The indemnification shall not be limited by a limitation on amount or type of damages payable by or for the Contractor or its subcontractor under any employee benefits act including, but not limited, to the Workers Compensation Act.

No inspection by FRSA, its employees, or agents shall be deemed a waiver by FRSA of full compliance with the requirements of the Contract. This indemnification shall not be limited by the required minimum insurance coverages in the Contract.

3.13 Tax Exemption

FRSA is exempt, by law, from paying bidder Federal Excise Tax and Illinois Retailers' Occupational Tax. Therefore, the bidder shall exclude those taxes from his bid. FRSA's tax exemption number is E9992-3696-06. The bidder shall include all other applicable taxes in his bid price.

Not to be used for bidding purposes

Article 3 — Detailed Specifications

1 General

This article contains detailed specifications related to Proposal items. The work to be done under each item is discussed along with units for payment and measurement for payment. However, the descriptions given do not necessarily outline all the work to be done under any item. All work shall conform to current editions of the following: *Standard Specifications for Water and Sewer Main Construction in Illinois, Four Rivers Sanitation Authority (FRSA) General Provisions and Technical Specifications for Sanitary Sewer Construction*, and the *Illinois Department of Transportation's (IDOT's) Standard Specifications for Road and Bridge Construction*.

Throughout these specifications, the term “Owner”, “Engineer”, and “FRSA” shall be synonymous.

In case of apparent contradictions between *Article 3 - Detailed Specifications*, *IDOT Standard Specifications*, and *General Provisions and Technical Specifications for Sanitary Sewer Construction*, *Article 3 - Detailed Specifications* shall govern.

Utility locations shown on the plans are based on records of varying degrees of reliability and are not guaranteed. The orientation and location (horizontal and vertical) of all existing underground utilities, such as gas mains, water mains, electric and communication lines, field tiles, irrigation pipes, etc., shall be ascertained by the Contractor. The Contractor shall assume full responsibility for all utility location.

The general location of the proposed work is governed by existing field conditions. Minor variations in alignment may be made to facilitate construction operations with prior FRSA approval.

Any construction not inspected and approved by a FRSA Inspector will not be accepted.

No work shall be permitted on Sundays or FRSA Holidays without prior approval by the FRSA Director of Engineering. A 24-hour notice for work performed on Saturdays shall be provided to a FRSA Inspector.

The following holidays will be observed by FRSA during the anticipated construction duration:

- Monday, May 25, 2026 Memorial Day
- Friday, July 3, 2026 Independence Day
- Monday, September 7, 2026 Labor Day
- Monday, October 12, 2026 Indigenous Peoples/Columbus Day

The FRSA will not direct, control, have authority over or be responsible for the Contractor's means, methods, techniques, sequences, procedures of construction, safety precautions and programs incident thereto, or for any failure by the Contractor to comply with all applicable laws and regulations in performance of the specified work. The FRSA shall not be responsible for the Contractor's failure to perform or furnish the work in accordance with the Contract documents.

2 Permit Requirements

2.1 General

All work within public Right-of-Ways shall be subject to the regulations and requirements of the jurisdictional agencies. Should conflicts or contradictions arise between the plans, specifications and Right-of-Way permits, the permits shall govern.

The Contractor shall comply with the requirements of any and all permits obtained and required for the construction of this project, including but not limited to, those from all jurisdictional roadway authorities. The following agency contacts are provided for the roadways impacted by this project:

Roadway Authority	Contact	Phone	Email
City of Rockford	Jordan Masemoore	(779) 348-7634	Jordan.masemoore@rockfordil.gov
City of Loves Park	David Jacobson	(815) 654-5040	Davidjacobson@cityoflovespark.com

Online permit applications can be found on the following websites:

- City of Rockford: <https://rockfordil-prd.rhythmllabs.infor.com/home>
- City of Loves Park: <https://cityoflovespark.com/departments/street-department/>

Unless otherwise noted, the Contractor shall be responsible for securing all necessary permits and for all bonds, insurance, etc., and all fees required by any and all permits. Copies of all Contractor-secured permits shall be provided to the FRSA prior to the start of construction.

Prior to tree trimming or removal within City of Rockford Right-of-Ways, the Contractor shall submit a Tree Maintenance Permit to the City of Rockford Forestry Supervisor at 523 S. Central Ave., Rockford, IL 61102. All tree removal and/or trimming shall be in accordance with the City of Rockford Forestry Division's requirements. Contact Taylor Hennelly of the Forestry Division, forty-eight (48) hours prior to performing tree removal or trimming operations at taylor.hennelly@rockfordil.gov.

No trees located on private property shall be disturbed in the construction of this project without written permission from the property owner.

2.2 Required Submittals

1. Copies of issued permits.

2.3 Payment

Payment for permit requirements (procurement and compliance) shall be included in the Contract Lump Sum (LS) unit price per applicable street address as indicated in *Section III – Service List*.

3 Notification & Access

3.1 Notification

The Contractor shall notify all utility companies prior to beginning any work. All underground utilities shall be located by the utility owner and special care shall be taken when excavating near underground utilities to avoid damage. Contractor shall call JULIE at (800) 892-0123 for utility locations in the project area, seventy-two (72) hours, minimum, prior to construction. More advanced notification shall be provided if required by permits.

The Contractor shall make every effort to maintain the current level of sanitary sewer service for the duration of the project. Property owners shall not be without sewer service for more than eight (8) hours. A public notification program shall be implemented and, shall as a minimum, require the Contractor to be responsible for contacting each home or business affected and informing them of the work to be conducted and when the sewer will be out of service. Adjustment to the construction schedule shall be made, as necessary, to accommodate property owners.

The Contractor shall also provide the following:

- (a) A minimum of forty-eight (48) hours advanced written notice or door hanger to be delivered to each home or business. Information describing the work, the work schedule, how it affects the residents or business owners, and a toll-free or local telephone number of the Contractor which can be called to discuss the project and any concerns shall be provided. Written notice shall also include contact information for the FRSA's Surveyor and Field Operations Manager, Ben Christiansen, (815)209-7952, bchristiansen@fourrivers.illinois.gov. **Contractor shall submit a draft of the proposed written notification for FRSA approval prior to issuance.**
- (b) Personal contact with any home or business that cannot be reconnected within the time stated on the written notice.

3.2 Access

The proposed work will disturb private property. Disturbance necessary to expose the limit of public sanitary sewer service pipe is allowed under license for the FRSA to perform the proposed repairs. This license does not provide equipment access, stockpiling of materials, or use of private property in any other way. Contractor shall minimize disturbance to private property by any means necessary. Please refer to the detail provided in *Section V* which depicts the limits of public and private sewer construction.

It shall be the Contractor's responsibility to secure any temporary access, storage or construction easements needed to perform the work on private property from the individual property owners. The cost of obtaining these items shall be considered incidental to the work.

3.3 Special Considerations

Site specific considerations are indicated on the location item list provided in *Section III, Service List*. Special considerations include, but are not limited to, the following:

- Item numbers 1, 31, and 32 are located on roads with active City of Rockford road moratoriums. If roadway pavement is disturbed at these locations, the replacement patch must extend the full width of the roadway.

3.4 Required Submittals

1. Draft written notification (door hanger).

3.5 Payment

Payment for all notification and access efforts shall be included in the Contract Lump Sum (LS) unit price per applicable street address as indicated in *Section III-Service List*.

4 Sanitary Sewer Service Replacement

4.1 General

This item shall include all labor, equipment and materials needed to replace existing sanitary sewer services from the existing sanitary sewer main or manhole to existing property lines or sanitary sewer easement limits, as indicated in *Sections III and IV*, and the installation of a service cleanout at the property or easement line (point of connection) in accordance with *Part 5* of these specifications.

All work shall be in accordance with State and local plumbing codes, the FRSA's *General Provisions and Technical Specifications* and *Standard Detail Sheet*, except that the cleanout shall be installed on the property line or at the easement limit, and not beyond, as indicated on the *Standard Detail Sheet*. Pipe connections shall be in accordance with *Article 3, Part 5.3, Pipe and Connections*.

Material shop drawings for pipe, fittings and any other appurtenances shall be submitted to the FRSA for approval prior to delivery to the site.

4.2 Sleeved Services

Some existing sanitary services throughout this project are 6-inch diameter vitrified clay pipe (VCP) connected to existing sanitary mains. The existing services may be used as a casing pipe for the new 4-inch diameter PVC service pipe to minimize excavation where site conditions allow. Prior to inserting 4-inch diameter PVC pipe, Contractor shall remove all roots and debris from existing pipe in accordance with *Article 3, Part 5.2, Existing Pipe Cleaning*.

4.3 Service Reconnection

For services connected to existing sanitary mains, the Contractor shall install a flexible tap saddle over the existing main connection. The connection shall be watertight. The flexible tap saddle shall include stainless steel clamps and be manufactured by Fernco or FRSA approved equivalent. Any fittings required to connect the proposed 4-inch service line to the flexible tap saddle shall be incidental.

4.4 Service Cleanout

Contractor shall install a sanitary sewer service cleanout at the property line or sanitary sewer easement line. Construction shall conform to the FRSA *Standard Detail Sheet* and *Part 5* of these specifications. Cleanout castings shall be required in paved areas. Casting shall be Neenah Foundry R-1974-A, East Jordan 00157410 & 00157421, or FRSA approved equal.

4.5 Materials

All piping used for sleeved services shall be 4-inch diameter Schedule 40 pipe and fittings with glued joints conforming to ASTM D1785 / D2665.

Upstream pipe material may be clay, cast iron or ductile iron of 4-inch or 6-inch diameter. Contractor shall provide and install eccentric reducers as required to connect to existing pipe.

Pipe transition couplings shall be Fernco Strong Back RC 5000 Series, Mission Rubber Company FLEX-SEAL ARC repair couplings or approved equal for the following pipe transitions:

- Clay to PVC
- Cast iron to PVC

- Ductile iron to PVC

Couplings shall be shear resistant and made of a flexible PVC compound with stainless steel clamps and stainless steel rings. Transition couplings shall conform to the applicable sections of ASTM D5926 and C1173. Connections shall be made to structurally sound pipe.

4.6 Required Submittals

1. Schedule 40 PVC pipe and fittings, ASTM D1785/D2665.
2. Transition Couplings, Mission FLEX-SEAL ARC, Fernco Strong Back RC 5000 Series, or equal.
3. Cleanout casting, Neenah Foundry R-1974-A, East Jordan 00157410 & 00157421, or FRSA approved equal.

4.7 Payment

Payment for sanitary sewer service replacement – 4-inch PVC and sanitary sewer service replacement – 6-inch PVC shall be included in the Contract Lump Sum (LS) unit price per applicable street address as indicated in *Section III - Service List*.

5 Sanitary Sewer Service Cleanout Installation

5.1 General

This work shall consist of installing a sanitary sewer service cleanout on existing clay service pipe in accordance with the detail provided in *Section V* of these specifications. This item shall include all materials, labor, and equipment necessary to complete this work.

Cleanouts shall be installed at the public Right-of-Way line or sanitary sewer easement limit. The finished cleanout elevation shall be 6 inches below grade in turf areas. A cleanout casting shall be provided in paved areas (Neenah Foundry R-1974-A, East Jordan 00157410 & 00157421, or FRSA approved equal). A magnetic marker shall be secured to the cleanout riser to facilitate future locating. The magnetic marker shall be DEEP1 as manufactured by Berntsen International, Inc. or FRSA approved equivalent.

The FRSA will mark the approximate locations of existing sanitary sewer service pipes at the Right-of-Way line or easement limits. The location information provided for existing sewer services is based on record information. No claims for additional compensation will be entertained if the service point of connection is within 5 feet of the location marked in the field. If the service point of connection varies from that marked by FRSA personnel by more than 5 feet, attention is directed to *Part 7, Exploratory Excavation* of these specifications.

Section III - Service List provides an estimated main line depth, estimated service depth, and estimated wye location (measured from downstream manhole). This estimated information is provided to assist the Contractor excavation plan. No claims for additional compensation will be entertained if information is inaccurate.

5.2 Existing Pipe Cleaning

Prior to installation of the sanitary sewer cleanout pipe and fittings, contractor shall clean the existing public portion of the sewer service from the public Right-of-Way or easement line to the existing sanitary sewer main. Cleaning shall include removal of all debris including roots. No power equipment shall be used in service cleaning or root removal to ensure existing piping is not

damaged. Contractor shall submit proposed methodology, equipment and tools to be used in cleaning operations for FRSA review and approval.

Contractor shall verify the sewer service pipe is free of obstructions from the proposed service cleanout location to the sanitary sewer main by means of televised inspection. The camera used for televising the service pipe shall be a push service camera. The camera shall have the ability to track distance within pipes and provide an on-screen distance counter. Lighting and camera quality shall be suitable to provide a clear, in-focus picture of the entire inside periphery of the service pipe.

A FRSA Inspector shall be present for the televising of each sewer service pipe. Should the Contractor encounter roots or other obstructions that cannot be removed from the service using hand tools, the FRSA Inspector shall be notified. Contractor shall make another genuine attempt to remove the obstruction using hand tools with the FRSA Inspector present. If the obstruction remains incapable of being removed by hand tools, as verified by the FRSA Inspector, FRSA crews will remove the obstruction with necessary power equipment within 48 hours of notification.

5.3 Pipe and Connections

All piping shall be Schedule 40 pipe with glued fittings conforming to ASTM D1785/ D2665.

Contractor shall connect to existing 6-inch diameter vitrified clay pipe (VCP) downstream of the new service cleanout. For the 6-inch VCP to 6-inch PVC transition, Mission FLEX-SEAL ARC, Fernco Strong Back RC 5000 Series, or equal repair coupling shall be installed. Contractor shall install a minimum of 2-feet of new pipe downstream of the new cleanout. Connection shall be made to structurally sound pipe. The new cleanout riser and service pipe shall be 6-inch diameter Schedule 40 PVC. The cleanout riser shall be connected to the service pipe by a 6-inch X 6-inch PVC tee fitting. The cleanout shall include a threaded cap installed at the top.

To connect to 4-inch diameter cast iron or ductile iron service pipe upstream of the new cleanout, Mission FLEX-SEAL ARC, Fernco Strong Back RC 5000 Series, or equal repair coupling shall be installed with a minimum 1-foot of new 4-inch diameter Schedule 40 PVC service pipe. The Contractor shall install a 6-inch X 4-inch PVC eccentric reducer for connection to the 6-inch tee fitting.

Where private service pipe is 4-inch cast iron or ductile iron, Contractor shall remove all 4-inch piping downstream of the property line and connect to existing 6-inch diameter VCP service pipe to allow for future CIPP (cured-in-place pipe) lining of the 6-inch VCP.

FRSA records indicate a majority of private cast iron services end at the property line. Private cast iron services that may extend into the public Right-of-Way near the curb and gutter or edge of pavement are indicated on the *Service List - Section III*.

5.4 Required Submittals

1. Pipe Cleaning equipment list and specifications.
2. Schedule 40 PVC pipe and fittings, ASTM D1785/D2665.
3. Repair Couplings, Mission FLEX-SEAL ARC, Fernco Strong Back RC 5000 Series, or equal.

4. Cleanout casting, Neenah Foundry R-1974-A, East Jordan 00157410 & 00157421, or FRSA approved equal.
5. Magnetic marker, DEEP1 by Berntsen International, Inc. or equal.

5.5 Payment

Payment for sanitary sewer service cleanout installation shall be included in the Contract Lump Sum (LS) unit price per street address as indicated in *Section III- Service List*.

6 Bedding, Backfill & Compaction

6.1 General

6.2 Pipe Bedding

Pipe bedding for PVC pipe shall be Class IA per ASTM Standard D2321. The trench bottom shall be bedded with a minimum of 6 inches of crushed stone. Crushed stone shall be placed to a minimum of 12 inches above the top of the pipe, as shown on the FRSA's *Standard Detail Sheet*.

Bedding shall be graded such that it prevents the migration of trench wall material into the bedding. The FRSA shall approve this bedding material after the characteristics of the trench are determined.

If the water table is above the bottom of the pipe bedding, or the trench bottom is unstable or unsuitable, as determined by the FRSA, a porous granular foundation meeting *IDOT Standard Specifications* of CA-5 or CA-3 stone shall be installed as necessary below the granular bedding material, extending to the limits of the bedding diagram at no extra cost to the FRSA.

Should boulders, frozen material, etc., which could damage the pipe be present in the native backfill material, the Contractor shall bring the bedding material to a point 24 inches above the crown of the pipe (cost incidental).

6.3 Backfill and Compaction

The Contractor shall use approved select trench backfill to the level of the base under all roads, shoulders, sidewalks, driveways, parking lots or pavements of any kind and beyond such pavements as set forth in General Provisions and Technical Specifications T.S. 2:4-c. Select trench backfill under said structures shall meet FA-6 gradation and be mechanically compacted in 6-inch to 18-inch loose lifts to the subgrade elevation of the road shoulder, sidewalk, driveway, parking lot or pavement. The materials and compaction shall be in accordance with *Section 208 and 550.07, Method 1 of the IDOT Standard Specifications*.

For granular backfill, The Contractor must use a vibratory plate or other approved equipment-mounted compaction equipment to compact the backfill in lifts not to exceed 18 inches. Water-jetting, ponding, or flooding will not be permitted as a means of trench compaction.

All select trench backfill shall be compacted to ninety-five percent (95%) of Proctor density; all other backfill shall be compacted to ninety percent (90%) minimum of Proctor density. Contractor shall provide third-party confirmation of subgrade compaction as directed by the FRSA.

The Contractor shall furnish a backhoe and operator during the testing of the backfill placed during construction. All compaction tests will be performed at the Contractor's expense by an

approved, independent geotechnical-testing firm. If the tests do not meet the compaction requirement specified above, the area shall be both re-compacted and re-tested at the Contractor's expense until the test requirements are met. If initial tests indicate compaction requirements are being met, no further lift testing will be required unless method, equipment, or material changes. The final lift forming the sub-grade must be tested.

In trenches not requiring select trench backfill, no excavated material larger than 8 inches in any dimension shall be used in the backfill.

Contractor shall properly dispose of all spoil at no additional cost to the FRSA. The Contractor shall exercise care not to disturb any existing utilities during backfilling and compaction operations.

The Contractor shall provide a three (3) year guarantee against trench settlement throughout this project upon completion of construction.

6.4 Submittals

1. Pipe bedding material grading certifications.
2. Select trench backfill material gradation certifications, and Proctor test results for use in density testing.

6.5 Payment

Payment for bedding, backfill and compaction shall be included in the Contract Lump Sum (LS) unit price per street address as indicated in *Section III- Service List*.

7 Exploratory Excavation

7.1 General

As stated previously herein, FRSA personnel will mark the approximate service point of connection in the field at the Right-of-Way or easement line. This work shall only apply if the mark placed by FRSA personnel for the service point of connection varies from the actual point of connection by more than 5 feet horizontally. If the actual point of connection and marked location fall within 5 feet or less horizontally, this item shall not apply. Service depths (vertical measurements) provided are estimates. No claims for additional compensation will be entertained if information is inaccurate.

This work includes all material, labor, and equipment necessary to excavate to a depth typical of residential sanitary sewer services, backfill and restore the surface to a condition equal to or better than conditions that existed prior to excavation.

This item shall include up to 36 square feet (SF) of pavement removal and replacement.

Restoration of turf area shall be in conformance with *Part 8* of these specifications.

7.2 Required Submittals – Not used.

7.3 Payment

Payment for this item shall be made at the Contract unit price per Each (EA) for Exploratory Excavation, complete.

8 Restoration Work

8.1 General

All restoration of private and public property, including sidewalks, concrete steps and railings, landscaping, fences, driveways, all other slab work, concrete and asphalt, drainage channels, storm sewers and dry wells, disturbed or damaged as a result of this construction project, including damages caused by sewer backups, shall be promptly completed, in conformance with roadway authority standards or on private property equal to or better than the pre-construction conditions as directed by the FRSA and guaranteed by the Contractor for a period of two (2) years following satisfactory completion and final acceptance of the total Contract.

All excavated areas shall be guaranteed against subsidence and settlement for a period of three (3) years after final completion of the contract. Any additional restoration work needed because of subsidence or settlement shall be performed by the Contractor at no cost to the FRSA.

All water main, gas main, storm sewer, corrugated metal pipe, drainage tile or other drainage devices shall be repaired, re-laid or replaced to original elevations. Pipes which in the estimation of the FRSA have been significantly damaged by the Contractor, shall be replaced with new pipe of the same diameter, length and type, at no added expense to the FRSA. Any necessary couplings and fittings shall be provided as necessary, and the work shall be to the FRSA's satisfaction. When necessary, temporary restoration of roads, drives, fences, etc., will be required.

Restoration work shall include the following provisions:

1. All soil, brush and debris resulting from construction shall be removed and disposed of in a satisfactory manner. The ground surface, all fences and other structures on the premises or adjacent premises touched or in any manner altered by the construction of the sewer, shall be restored to a condition equal to or better than existed before the commencement of the work.
2. Ground surfaces that were covered with grass prior to construction shall be restored to original grade and seeded per these specifications. Excavated and stockpiled topsoil may be used for this item if acceptable to the FRSA; otherwise, approved topsoil may need to be imported.
3. On private property, the Contractor shall remove and replace (or replant) all bushes, shrubs and plants damaged or destroyed with species of similar type, size and quantity. These shall be guaranteed for a period of one (1) year after final completion.

8.2 Minimum Sidewalk and Pavement Restoration

Contractor shall obtain FRSA approval of removal/replacement limits a minimum of 24 hours prior to the placement of restored pavements.

PCC sidewalk work shall be in accordance with *Section 424 of IDOT Standard Specifications*. Installed PCC sidewalk thickness shall match existing (4-inch minimum). Sidewalk shall be placed over 4 inches of compacted aggregate base course of CA-6 gradation.

PCC driveway work shall be in accordance with *Section 423 of IDOT Standard Specifications*. Replacement PCC driveway pavement thickness shall match existing (6-inch minimum). PCC

driveway pavement shall be placed over 8-inch compacted aggregate base course of CA-6 gradation.

When a sanitary service is located under new concrete, the Contractor shall stamp the concrete with the letter "S" directly over the service on the sidewalk or driveway pavement. The letter "S" shall be 3-4 inches tall. Exact location of the stamp shall be determined in the field.

HMA driveway work shall be in accordance with *Section 406 of IDOT Standard Specifications*. Minimum compacted thickness of HMA driveway pavement shall be 2 inches. HMA mix IL-9.5, N50, Mix "C" in accordance with *Section 1030 of IDOT Standard Specifications*. Tack coat shall be SS-1 in accordance with *Section 1032 of IDOT Standard Specifications*. HMA Driveway pavement shall be placed over 8-inch compacted aggregate base course of CA-6 gradation.

Public HMA roadway work shall be in accordance with *Section 406 of IDOT Standard Specifications*. HMA binder shall be IL-19.0, N70 with a minimum compacted lift thickness of 2.5 inches. HMA Surface shall be IL-9.5, N50, with a minimum compacted lift thickness of 2.0 inches. Pavement shall be placed over 12 inches compacted aggregate base course of CA-6 gradation.

PCC Curb and Gutter work shall be in accordance with *Section 606 of IDOT Standard Specifications* and Standard 606001-09. Curb and gutter shall match existing type.

8.3 Restoration of Existing Landscaping, Fencing, and Miscellaneous

Work at several locations will inevitably impact existing landscaping features, fencing, yard lighting or other features that are situated near the proposed service repair. The FRSA will document pre-existing conditions by video recording prior to the start of work. It is recommended the Contractor do the same.

Where special landscaping, fencing or other items will be impacted they shall be removed and stored for reinstallation, if possible, or replaced. Any items/materials damaged by construction shall be removed and disposed of by the Contractor. Replacement materials shall be of same manufacturer, color, type, grade, etc., as the items removed. If materials of same manufacture are not available, Contractor shall submit material specifications and samples for FRSA-approval prior to delivery to the site or installation.

8.4 Seeding

Turf areas disturbed by construction shall be seeded in accordance with *Section 250 of IDOT Standard Specifications* and as directed by the FRSA. The Contractor shall make certain that all disturbed areas have the same depth (4" minimum) and quality of approved topsoil as existed prior to construction.

The seeding mixture used shall be compatible with the existing ground and shall be acceptable to the FRSA. Maintainable lawn areas shall be seeded with IDOT Class I seeding mixture. Existing non-maintained turf areas shall be seeded with IDOT Class 3-slope mixture.

Reference is made to the *General Provisions and Technical Specifications for Sanitary Sewer Construction*, T.S. 4:2, for specifications on seeding and sodding and fertilizer, and to *Sections 250, and 251 of the IDOT Standard Specifications for Road and Bridges Construction*, current edition.

8.6 Required Submittals

1. Concrete mix design; specify driveway, sidewalk or curb and gutter.

2. HMA mix design; specify private drive or public roadway.
3. Aggregate material certifications.
4. Seeding mixture certifications.

8.7 Payment

Payment for restoration work shall be included in the Contract Lump Sum (LS) unit price per applicable street address as indicated in *Section III - Service List*.

9 Safety & Traffic Control

9.1 General

The work described under this Contract includes sanitary sewer work, an environment deemed hazardous by State and Federal authorities. The Contractor shall employ all safety measures appropriate for such work and shall be solely responsible for the safety of all operations, including compliance with all State, Local and OSHA regulations.

During the course of construction, the Contractor shall keep a minimum of one lane of traffic open through any affected streets.

The Contractor shall comply with all rules and regulations of the State, County and City authorities regarding closing or restricting the use of public streets or highways. No public or private road shall be closed, except by express permission of the FRSA. All work shall be conducted in a manner that will minimize any impact to vehicular traffic and normal commercial activities. Contractor shall protect all disturbed work areas within traveled roadways by installing approved signs, barricades, and lights where necessary for the safety of the public.

Contractor shall provide and install signage for sidewalk closures in accordance with IDOT Standard 701801-06.

The Contractor shall notify the appropriate roadway authority a minimum of seventy-two (72) hours prior to beginning any work for approval of traffic control in any affected streets, as well as required detour routes, signing and permits.

The Contractor shall provide access to the residences and/or businesses, schools, etc., at all times (i.e., drives and roadways must remain open; ramps must be provided as necessary) for the duration of this Contract.

When required by regulation or when deemed necessary for safety, the Contractor shall furnish flagmen and/or guards and other traffic regulatory devices.

9.2 Required Submittals – Not Used.

9.3 Payment

Payment for safety and traffic control shall be included in the Contract Lump Sum (LS) price per street address as indicated in *Section III- Service List*

10 Extra Work

10.1 General

Work described in this specification shall only apply to items scheduled to receive a 6-inch cleanout installation in *Section III – Service List*.

As stated in *Part 5.3*, proposed cleanouts must be connected to 6-inch diameter pipe. Unless noted otherwise in *Section III – Service List*, cleanout installation work is not expected to impact public roadway features, such as curb and gutter or pavement. If existing conditions require the removal of curb and gutter and/or public roadway pavement to connect to 6-inch diameter pipe and is not noted on the *Section III - Service List*, Extra Work pay items shall apply. Extra Work shall apply if the transition from 4-inch diameter to 6-inch diameter piping is located more than 10 feet horizontally from the proposed cleanout location (property or easement line) or if exposing the 6-inch diameter pipe requires removal of curb and gutter or public roadway pavement.

Contractor shall notify the FRSA Inspector and receive the FRSA Inspector's approval prior to proceeding with Extra Work. Payment for unapproved extra work is not guaranteed.

10.2 Pipe and Connections

All pipe and connections shall conform to *Article 3, Part 5.3*.

10.3 Restoration Work

All restoration work shall conform to *Article 3, Part 8*.

10.4 Payment

Payment for Extra Work – Exploratory Excavation will be made at the Contract unit price per Each (EA), complete.

Payment for Extra Work – 6" Dia. Service Pipe will be made at the Contract unit price per Linear Foot (LF).

Payment for Extra Work – Remove and Replace PCC Curb and Gutter will be made at the Contract unit price per Linear Foot (LF).

Payment for Extra Work – Remove and Replace PCC Pavement will be made at the Contract unit price per Square Yard (SY).

Payment for Extra Work – Remove and Replace HMA Pavement will be made at the Contract unit price per Square Yard (SY).

Payment for Extra Work – Turf Restoration will be made at the Contract unit price per Square Yard (SY).

Payment for Extra Work – Remove and Replace PCC Sidewalk will be made at the Contract unit price per Square Yard (SY).

Section II

Contract Forms

Not to be used for bidding purposes

Proposal

Project: 2026-2027 Service Cleanout Installations
Capital Project No. 2701

Location: Various locations within the public Right-of-Ways located in the City of Rockford, Illinois and the City of Loves Park, Illinois, Winnebago County

Completion Date: October 31, 2026

Liquidated Damages: \$300 per calendar day

To: Board of Trustees
Four Rivers Sanitation Authority
3501 Kishwaukee Street
Rockford, IL 61109

From: _____
(Individual, Partnership or Corporation, as case may be)

(Address of Individual, Partnership or Corporation)

I (We), the undersigned, hereby propose to furnish all materials, equipment, tools, services, labor, and whatever else may be required to construct and place in service the above subject Sanitary Sewer for the Four Rivers Sanitation Authority all in accordance with the plans and specifications provided by Four Rivers Sanitation Authority. The undersigned also affirms and declares:

1. That I (we), have examined and am (are) familiar with all the related contract documents and found that they are accurate and complete and are approved by the undersigned.
2. That I (we), have carefully examined the site of the work, and that, from my (our) investigation, has satisfied myself (ourselves) as to the nature and location of the work, the character, quality, and quantity of materials and the kind and extent of equipment and other facilities needed for the performance of the work, the general and local conditions and all difficulties to be encountered, and all other items which may, in any way, effect the work or its performance.
3. That this bid is made without any understanding, agreement or connection with any other person, firm, or corporation making a bid for the same purposes, and is in all respects fair and without collusion or fraud; and that I (we) are not barred from bidding as a result of a bid-rigging or bid-rotating conviction.
4. That accompanying the Proposal is a Bidder's Bond in the amount specified in Article 1, Notice to Bidders, payable to the Board of Trustees of the Four Rivers Sanitation Authority,

which it is agreed, shall be retained as liquidated damages by said Four Rivers Sanitation Authority if the undersigned fails to execute the Contract in conformity with the contract documents incorporated in the contract documents and furnish bond as specified, within ten (10) days after notification of the award of the contract to the undersigned.

5. The Bidder is of lawful age and that no other person, firm or corporation has any interest in this Proposal or in the Contract proposed to be entered into.
6. The Bidder is not in arrears to the Four Rivers Sanitation Authority, upon debt or contract, and is not a defaulter, as surety or otherwise, upon any obligation to the Four Rivers Sanitation Authority.
7. No officer or employee or person whose salary is payable in whole or in part by the Four Rivers Sanitation Authority is, shall be or become interested, directly or indirectly as a contracting party, partner, stockholder, surety or otherwise, in this Proposal, or in the performance of the Contract, or in the work to which it is relates, or in any portion of the profits thereof.
8. The Bidder which I represent complies with all applicable requirements of the Americans with Disabilities Act (ADA) and the Occupational Safety and Health Act (OSHA) and that if said bidder is awarded a contract, it will complete all OSHA-required or ADA-required employee and customer training, will make available all required information, and will hold harmless and indemnify the Four Rivers Sanitation Authority and the Four Rivers Sanitation Authority's representatives.

In regard to participation in an approved Apprenticeship program, upon request, Contractor will be required to provide written proof of participation.

9. The undersigned, as Bidder, declares that he has adopted and promulgated written sexual harassment policies in accordance with Public Act 101-0221 and will make this information available upon request.
10. The undersigned, as Bidder, declares he will comply with prevailing wages in accordance with the Illinois Department of Labor Standards. The State of Illinois requires contractors and subcontractors on public works projects (including Four Rivers Sanitation Authority) to submit certified payroll reports via the State's Certified Transcript of Payroll Portal found at <https://labor.illinois.gov/laws-rules/conmed/certifiedtranscriptofpayroll.html>.
11. The undersigned, as Bidder, declares he will comply with the Federal Drug Free Workplace Act.
12. The undersigned, as Bidder, declares he will comply with Public Act 83-1030 entitled "Steel Products Procurement Act".
13. The undersigned, as Bidder, declares he will comply with Public Act 96-929 (30 ILCS 570) regarding Illinois residents' employment.
14. The undersigned, as Bidder, declares he will comply with non-discrimination in employment in accordance with the Illinois Fair Employment Practices Commissions Rules & Regulations.
15. The undersigned, as Bidder, declares that he currently participates in an apprenticeship or training program that is registered with the United States Department of Labor's Bureau of

Apprenticeship and Training or other acceptable State of Illinois Department of Labor monitored program.

In submitting this bid, it is understood that the right is reserved by the Four Rivers Sanitation Authority to reject any and all bids. It is agreed that this bid may not be withdrawn for a period of sixty (60) days from the opening thereof.

The undersigned further declares that he (they) has (have) carefully examined the following items of work and that the cost of all the work to complete this project is given in this Proposal.

Not to be used for bidding purposes

Base Bid							
Item No.	Quantity	Unit	Description		Unit Price (In Writing)	Unit Price (In Figures)	Total Price (In Figures)
1	1	LS	3618 Delaware St	Install 6" Cleanout		\$ -	\$ -
2	1	LS	5629 Hollis Ave	Install 6" Cleanout		\$ -	\$ -
3	1	LS	5630 Hollis Ave	Install 6" Cleanout		\$ -	\$ -
4	1	LS	5634 Hollis Ave	Install 6" Cleanout		\$ -	\$ -
5	1	LS	5637 Hollis Ave	Install 6" Cleanout		\$ -	\$ -
6	1	LS	5638 Hollis Ave	Install 6" Cleanout		\$ -	\$ -
7	1	LS	5641 Hollis Ave	Install 6" Cleanout		\$ -	\$ -
8	1	LS	5703 Hollis Ave	Install 6" Cleanout		\$ -	\$ -
9	1	LS	5707 Hollis Ave	Install 6" Cleanout		\$ -	\$ -
10	1	LS	5708 Hollis Ave	Install 6" Cleanout		\$ -	\$ -
11	1	LS	5712 Hollis Ave	Install 6" Cleanout		\$ -	\$ -
12	1	LS	5715 Hollis Ave	Install 6" Cleanout		\$ -	\$ -
13	1	LS	5716 Hollis Ave	Reconnect 4" PVC w/ Saddle Tee		\$ -	\$ -
14	1	LS	5720 Hollis Ave	Install 6" Cleanout		\$ -	\$ -
15	1	LS	323 Hollister Ave	Install 6" Cleanout		\$ -	\$ -
16	1	LS	328 Hollister Ave	Install 6" Cleanout		\$ -	\$ -
17	1	LS	401 Hollister Ave	Install 6" Cleanout		\$ -	\$ -
18	1	LS	402 Hollister Ave	Install 6" Cleanout		\$ -	\$ -
19	1	LS	406 Hollister Ave	Install 6" Cleanout		\$ -	\$ -
20	1	LS	112 Hunter Ave	Install 6" Cleanout		\$ -	\$ -
21	1	LS	216 Hunter Ave	Install 6" Cleanout		\$ -	\$ -
22	1	LS	219 Hunter Ave	Install 6" Cleanout		\$ -	\$ -
23	1	LS	605 Loves Park Dr	Reconnect 4" PVC w/ Saddle Tee		\$ -	\$ -
24	1	LS	608 Loves Park Dr	Install 6" Cleanout		\$ -	\$ -

Base Bid							
Item No.	Quantity	Unit	Description		Unit Price (In Writing)	Unit Price (In Figures)	Total Price (In Figures)
25	1	LS	612 Loves Park Dr	Replace w/ Cleanout & Saddle Tee		\$ -	\$ -
26	1	LS	613 Loves Park Dr	Replace w/ Cleanout & Saddle Tee		\$ -	\$ -
27	1	LS	619 Loves Park Dr	Install 6" Cleanout		\$ -	\$ -
28	1	LS	620 Loves Park Dr	Install 6" Cleanout		\$ -	\$ -
29	1	LS	621 Loves Park Dr	Install 6" Cleanout		\$ -	\$ -
30	1	LS	2604 Oak Grove Ln	Install 6" Cleanout		\$ -	\$ -
31	1	LS	2721 Oak Grove Ln	Install 6" Cleanout		\$ -	\$ -
32	1	LS	2722 Oak Grove Ln	Install 6" Cleanout		\$ -	\$ -
33	1	LS	2803 Oak Grove Ln	Install 6" Cleanout		\$ -	\$ -
34	1	LS	2812 Oak Grove Ln	Install 6" Cleanout		\$ -	\$ -
35	1	LS	2928 Oak Grove Ln	Install 6" Cleanout		\$ -	\$ -
36	1	LS	2931 Oak Grove Ln	Install 6" Cleanout		\$ -	\$ -
37	1	LS	2934 Oak Grove Ln	Install 6" Cleanout		\$ -	\$ -
38	1	LS	111 Oak Knolls Ave	Install 6" Cleanout		\$ -	\$ -
39	1	LS	116 Oak Knolls Ave	Install 6" Cleanout		\$ -	\$ -
40	1	LS	223 Oak Knolls Ave	Replace w/ Cleanout & Saddle Tee		\$ -	\$ -
41	1	LS	115 Oak Knolls Ave N	Install 6" Cleanout		\$ -	\$ -
42	1	LS	119 Oak Knolls Ave N	Install 6" Cleanout		\$ -	\$ -

Base Bid							
Item No.	Quantity	Unit	Description		Unit Price (In Writing)	Unit Price (In Figures)	Total Price (In Figures)
43	1	LS	123 Oak Knolls Ave N	Install 6" Cleanout		\$ -	\$ -
44	1	LS	129 Oak Knolls Ave N	Install 6" Cleanout		\$ -	\$ -
45	1	LS	211 Oak Knolls Ave N	Replace w/ Cleanout & Saddle Tee		\$ -	\$ -
46	1	LS	219 Oak Knolls Ave N	Replace w/ Cleanout & Saddle Tee		\$ -	\$ -
47	1	LS	220 Oak Knolls Ave N	Replace w/ Cleanout & Saddle Tee		\$ -	\$ -
48	1	LS	228 Oak Knolls Ave N	Replace w/ Cleanout & Saddle Tee		\$ -	\$ -
49	1	LS	315 Oak Knolls Ave N	Install 6" Cleanout		\$ -	\$ -
50	1	LS	318 Oak Knolls Ave N	Install 6" Cleanout		\$ -	\$ -
51	1	LS	322 Oak Knolls Ave N	Install 6" Cleanout		\$ -	\$ -
52	1	LS	326 Oak Knolls Ave N	Install 6" Cleanout		\$ -	\$ -
53	1	LS	1727 Price St	Install 6" Cleanout		\$ -	\$ -
54	1	LS	1722 Price St	Install 6" Cleanout		\$ -	\$ -
55	1	LS	1723 Price St	Install New 6" Service Stub and Cleanout to Property		\$ -	\$ -
56	1	LS	220 Renrose Ave	Reconnect 4" PVC w/ Saddle Tee		\$ -	\$ -

Base Bid							
Item No.	Quantity	Unit	Description		Unit Price (In Writing)	Unit Price (In Figures)	Total Price (In Figures)
57	1	LS	221 Renrose Ave	Install 6" Cleanout		\$ -	\$ -
58	1	LS	232 Renrose Ave	Install 6" Cleanout		\$ -	\$ -
59	1	LS	236 Renrose Ave	Install 6" Cleanout		\$ -	\$ -
60	1	LS	237 Renrose Ave	Install 6" Cleanout		\$ -	\$ -
61	1	LS	707 Renrose Ave	Install 6" Cleanout		\$ -	\$ -
62	1	LS	708 Renrose Ave	Reconnect 4" PVC w/ Saddle Tee		\$ -	\$ -
63	1	LS	709 Renrose Ave	Install 6" Cleanout		\$ -	\$ -
64	1	LS	710 Renrose Ave	Install 6" Cleanout		\$ -	\$ -
65	1	LS	605 River Park Dr	Replace w/ Cleanout & Saddle Tee		\$ -	\$ -
66	1	LS	613 River Park Dr	Reconnect 4" PVC w/ Saddle Tee		\$ -	\$ -
67	1	LS	217 River Park Rd	Install 6" Cleanout		\$ -	\$ -
68	1	LS	224 River Park Rd	Install 6" Cleanout		\$ -	\$ -
69	1	LS	225 River Park Rd	Install 6" Cleanout		\$ -	\$ -
70	1	LS	234 River Park Rd	Install 6" Cleanout		\$ -	\$ -
71	1	LS	303 River Park Rd	Install 6" Cleanout		\$ -	\$ -
72	1	LS	308 River Park Rd	Install 6" Cleanout		\$ -	\$ -
73	1	LS	326 River Park Rd	Install 6" Cleanout		\$ -	\$ -
74	1	LS	332 River Park Rd	Install 6" Cleanout		\$ -	\$ -
75	1	LS	333 River Park Rd	Install 6" Cleanout		\$ -	\$ -
76	1	LS	335 River Park Rd	Install 6" Cleanout		\$ -	\$ -
77	1	LS	337 River Park Rd	Install 6" Cleanout		\$ -	\$ -
78	1	LS	338 River Park Rd	Install 6" Cleanout		\$ -	\$ -
79	1	LS	206 Sheridan Dr	Install 6" Cleanout		\$ -	\$ -
80	1	LS	225 Sheridan Dr	Install 6" Cleanout		\$ -	\$ -
81	1	LS	318 Sheridan Dr	Install 6" Cleanout		\$ -	\$ -
82	1	LS	322 Sheridan Dr	Install 6" Cleanout		\$ -	\$ -

Base Bid							
Item No.	Quantity	Unit	Description		Unit Price (In Writing)	Unit Price (In Figures)	Total Price (In Figures)
83	1	LS	325 Sheridan Dr	Install 6" Cleanout		\$ -	\$ -
84	1	LS	327 Sheridan Dr	Install 6" Cleanout		\$ -	\$ -
85	1	LS	328 Sheridan Dr	Install 6" Cleanout		\$ -	\$ -
86	1	LS	615 Sheridan Dr	Install 6" Cleanout		\$ -	\$ -
87	1	LS	622 Sheridan Dr	Install 6" Cleanout		\$ -	\$ -
88	1	LS	623 Sheridan Dr	Install 6" Cleanout		\$ -	\$ -
89	1	LS	631 Sheridan Dr	Install 6" Cleanout		\$ -	\$ -
90	1	LS	702 Sheridan Dr	Install 6" Cleanout		\$ -	\$ -
91	1	LS	722 Sheridan Dr	Install 6" Cleanout		\$ -	\$ -
92	1	LS	2703 Somerset Ln	Install 6" Cleanout		\$ -	\$ -
93	1	LS	2704 Somerset Ln	Install 6" Cleanout		\$ -	\$ -
94	1	LS	2709 Somerset Ln	Install 6" Cleanout		\$ -	\$ -
95	1	LS	2710 Somerset Ln	Install 6" Cleanout		\$ -	\$ -
96	1	LS	2715 Somerset Ln	Install 6" Cleanout		\$ -	\$ -
97	1	LS	2716 Somerset Ln	Install 6" Cleanout		\$ -	\$ -
98	1	LS	2910 State St	Install 6" Cleanout		\$ -	\$ -
99	15	EA	Exploratory Excavation			\$ -	\$ -
100	100	LF	Extra Work - 6" Dia. Service Pipe			\$ -	\$ -
101	90	LF	Extra Work - Remove and Replace PCC Curb & Gutter			\$ -	\$ -
102	30	SY	Extra Work - Remove and Replace PCC Pavement			\$ -	\$ -
103	50	SY	Extra Work - Remove and Replace HMA Pavement			\$ -	\$ -

Base Bid							
104	90	SY	Extra Work - Turf Restoration			\$ -	\$ -
105	10	SY	Extra Work - Remove and Replace PCC Sidewalk			\$ -	\$ -
Subtotal, Base Bid Price:						\$ -	
					(In Writing)		(In Figures)
Alternate Bid A							
Item No.	Quantity	Unit	Description		Unit Price (In Writing)	Unit Price (In Figures)	Total Price (In Figures)
1001	1	LS	302 Theodore St	Install 6" Cleanout		\$ -	\$ -
1002	1	LS	305 Theodore St	Install 6" Cleanout		\$ -	\$ -
1003	1	LS	306 Theodore St	Install 6" Cleanout		\$ -	\$ -
1004	1	LS	309 Theodore St	Install 6" Cleanout		\$ -	\$ -
1005	1	LS	310 Theodore St	Install 6" Cleanout		\$ -	\$ -
1006	1	LS	318 Theodore St	Install 6" Cleanout		\$ -	\$ -
1007	1	LS	126 Welty Ave	Install 6" Cleanout		\$ -	\$ -
1008	1	LS	130 Welty Ave	Install 6" Cleanout		\$ -	\$ -
1009	1	LS	203 Welty Ave	Install 6" Cleanout		\$ -	\$ -
1010	1	LS	211 Welty Ave	Install 6" Cleanout		\$ -	\$ -
Subtotal, Alternate Bid A Price:						\$ -	
					(In Writing)		(In Figures)

Alternate Bid B							
Item No.	Quantity	Unit	Description		Unit Price (In Writing)	Unit Price (In Figures)	Total Price (In Figures)
2001	1	LS	209 Calvin Park Blvd	Install 6" Cleanout		\$ -	\$ -
2002	1	LS	210 Calvin Park Blvd	Install 6" Cleanout		\$ -	\$ -
2003	1	LS	215 Calvin Park Blvd	Install 6" Cleanout		\$ -	\$ -
2004	1	LS	216 Calvin Park Blvd	Install 6" Cleanout		\$ -	\$ -
2005	1	LS	221 Calvin Park Blvd	Install 6" Cleanout		\$ -	\$ -
2006	1	LS	222 Calvin Park Blvd	Install 6" Cleanout		\$ -	\$ -
Subtotal, Alternate Bid B Price:							\$ -
					(In Writing)		(In Figures)
Total, Base Bid + Alternate Bid A Price:							\$ -
					(In Writing)		(In Figures)
Total, Base Bid + Alternate Bid B Price:							\$ -
					(In Writing)		(In Figures)
Total, Base Bid + Alternate Bid A + Alternate Bid B Price:							\$ -
					(In Writing)		(In Figures)

Please note: This Project will be awarded, if at all, to a single bidder. Bids will be compared on the total price bid for Base Bid work plus any combination of Alternate Bids (Base Bid or Base Bid + Alternate A and / or Alternate B). In accordance with Section I, Article 2, Parts 3.10 and 3.11, FRSA is responsible for selecting the lowest, responsive, responsible bidders. Bids submitted that omit the Bid Alternates may be deemed unresponsive at the sole discretion of FRSA. FRSA reserves the right to reject any and all bids and to accept the bid which they deem most favorable to the interest of FRSA after all proposals have been canvassed.

The undersigned acknowledges receiving Addendum numbers _____, _____, _____, and realizes that all Addenda are considered part of the Contract.

(Name of Contractor)

By: _____
(Signature)

Name: _____ Title: _____ Date: _____

Not to be used for bidding purposes

Fair Employment Practices Affidavit of Compliance

Project: 2026-2027 Service Cleanout Installations, Capital Project No. 2701

NOTE: THE BIDDER MUST EXECUTE THIS AFFIDAVIT AND SUBMIT IT WITH ITS SIGNED BID. THE FOUR RIVERS SANITATION AUTHORITY CANNOT ACCEPT ANY BID WHICH DOES NOT CONTAIN THIS AFFIDAVIT

_____, being first duly sworn, deposes and says that:
(Name of person making affidavit)

They are: _____ of _____
(Officer's Title) (Company Name)

that said company is and "Equal Opportunity Employer" as defined by Section 2000(e) of Chapter 21, Title 42 of the United States Code annotated and Federal Executive Orders #11375 which are incorporated herein by reference;

and that said company will comply with any and all requirements of Title 44 Admin. Code 750. APPENDIX A – Equal Opportunity Clause, Rules and Regulations, Illinois Department of Human Rights, which read as follows:

"In the event of the contractor's non-compliance with the provisions of this Equal Employment Opportunity Clause, the Illinois Human Rights Act or the Rules and Regulations of the Illinois Department of Human Rights ("Department"), the contractor may be declared ineligible for future contracts or subcontracts with the State of Illinois or any of its political subdivisions or municipal corporations, and the contract may be cancelled or voided in whole or in part, and such other sanctions or penalties may be imposed or remedies invoked as provided by statute or regulation. During the performance to this contract, the contractor agrees as follows:

1. That it will not discriminate against any employee or applicant for employment because of race, color, religion, sex, sexual orientation, marital status, national origin or ancestry, citizen status, age, physical or mental handicap unrelated to ability, sexual orientation, military status or an unfavorable discharge from military service; and further that it will examine all job classifications to determine if minority persons or women are underutilized and will take appropriate affirmative action to rectify any such underutilization.
2. That, if he or she hires additional employees in order to perform this contract or any portion of this contract, he or she will determine the availability (in accordance with the Department's Rules and Regulations) of minorities and women in the areas from which he or she may reasonably recruit and he or she will hire for each job classification for which employees are hired in a way that minorities and women are not underutilized.
3. That, in all solicitations or advertisements for employees placed by him or her or on his or her behalf, he or she will state that all applicants will be afforded equal opportunity without discrimination because of race, color, religion, sex, sexual orientation, marital status, national origin or ancestry, citizenship status, age, physical or mental handicap unrelated to ability, sexual orientation, military status or an unfavorable discharge from military service.
4. That he or she will send to each labor organization or representative of workers with which he or she has or is bound by a collective bargaining or other agreement or understanding, a notice advising such labor organization or representative of the contractor's obligations under the Illinois Human Rights Act and the Department's Rules and Regulations. If any labor organization or representative fails or refuses to cooperate with the contractor in his or her efforts to comply with such Act and Rules and Regulations, the contractor will promptly so notify the Department and the contracting agency and will recruit employees from other sources when necessary to fulfill its obligations under the contract.
5. That he or she will submit reports as required by the Department's Rules and Regulations, furnish all relevant information as may from time to time be requested by the Department or the contracting agency, and in all respects comply with the Illinois Human Rights Act and the Departments Rules and Regulations.
6. That he or she will permit access to all relevant books, records, accounts and work sites by personnel of the contracting agency and the Department for purposes of investigation to ascertain compliance with the Illinois Human Rights Act and the Department's Rules and Regulations.
7. That he or she will include verbatim or by reference the provisions of this clause in every subcontract awarded under which any portion of the contract obligations are undertaken or assumed, so that the provisions will be binding upon the subcontractor. In the same manner as with other provisions of this contract, the contractor will be liable for compliance with applicable provisions of this clause by such subcontractors; and further it will promptly notify the contracting agency and the Department in the event any subcontractor fails or refuses to comply with the provisions. In addition, the contractor will not utilize any subcontractor declared by the Illinois Human Rights Commission to be ineligible for contracts or subcontracts with the State of Illinois or any of its political subdivisions or municipal corporations.

(Source: Amended at 32 Ill. Reg. 16484, effective September 23, 2008)"

Ill. Dept of Human Rights Registration No.: _____ Expiration Date: _____

Signature

Subscribed and sworn to before me this _____ day of _____, 20_____.

Notary Public

STATE OF ILLINOIS)
) SS.
COUNTY OF _____)

AFFIDAVIT OF COMPLIANCE: RESPONSIBLE BIDDER ORDINANCE

I, _____ [Name of Affiant], being first duly sworn upon oath, state as follows:

- Position:** I am the _____ [Title] of _____ [Name of Bidding Entity] (the "**Bidder**"), and I am authorized to make this Affidavit on its behalf.
- Project:** This Affidavit is submitted in connection with the bid for 2026-2027 Service Cleanout Installations, Capital Project No. 2701 (the "**Project**") for the **Four Rivers Sanitation Authority ("FRSA")**.
- Responsible Bidder Status:** I certify that the Bidder meets the definition of a "**Responsible Bidder**" as set forth in the FRSA Responsible Bidder Ordinance for projects estimated to cost over \$40,000.
- Apprenticeship Program Participation:** The Bidder, and all subcontractors at any tier, participate in active apprenticeship and training programs approved and registered with the U.S. Department of Labor's Office of Apprenticeship and Training (or its successor) for each of the trades of work contemplated under the awarded contract.
- Evidence of Participation:** Attached to the bid (or to be provided as required) are copies of the applicable apprenticeship standards and apprenticeship agreement(s) for any contractor(s) who will perform work on the project site.
- Subcontractor Compliance:** The Bidder shall require all subcontractors for this FRSA Project to comply with the requirements of this Ordinance.
- Verification:** I understand that FRSA may request additional documentation to verify that the apprenticeship program is active and registered.
- Acknowledgment of Penalties:** I acknowledge that failure to provide this Affidavit or proof of participation shall render the bid non-responsive and subject to disqualification. Further, I understand that failure to comply with these requirements during the performance of the contract may result in being deemed in default, withholding of payments, and contract termination.
- Exemptions:** I certify that the work for which this bid is submitted is not exclusively dedicated to the transportation of materials and equipment, nor does it consist solely of the maintenance, repair, or installation of lining of sanitary sewer lines, unless a specific waiver has been granted by FRSA.

FURTHER AFFIANT SAYETH NOT.

[Signature of Affiant]

SUBSCRIBED AND SWORN to
before me this ____ day of _____, 20__.

NOTARY PUBLIC

Bid Bond

KNOW ALL MEN BY THESE PRESENTS, that we:

_____ (hereinafter called the Principal) and

_____ (hereinafter called the Surety)

a Corporation chartered and existing under the laws of the State of _____ with its principal offices in the City of _____ and authorized to do business in the State of Illinois are held and firmly bound unto the Four Rivers Sanitation Authority (FRSA) of Winnebago County, Illinois, in the full and just sum of: **FIVE (5%) OF THE TOTAL BID PRICE** good lawful money of the United States of America, to be paid upon demand of the FRSA, to which payment will and truly to be made we bind ourselves, our heirs, executors, administrators, and assigns, jointly and severally and firmly by these presents.

WHEREAS, the Principal is about to submit, or has submitted to FRSA, a proposal for The 2026-2027 Service Cleanout Installations, Capital Project No. 2701, project consists of the installation of PVC cleanout risers on existing sanitary sewer services, the replacement of existing clay sewer service pipe with PVC pipe, the connection of PVC sewer services to sewer mains, and all other appurtenances indicated on the plans and in the specifications.

WHEREAS, the Principal desires to file this bond, in accordance with law, to accompany this Proposal.

NOW THEREFORE, The conditions of this obligation are such that if the Proposal be accepted, the Principal shall, within ten days after the date of receipt of a written notice of award of Contract, execute a Contract in accordance with the Proposal and upon the terms, conditions, and prices set forth therein, in the form and manner required by FRSA, and execute a sufficient and satisfactory Contract Performance Bond payable to said FRSA in an amount of one hundred percent (100%) of the Contract price (including alternates) in form and with security satisfactory to said FRSA, then this obligation to be void, otherwise to be and remain in full force and virtue in law; and the Surety shall, upon failure of the Principal to comply with any or all of the foregoing requirements within the time specified above, immediately pay to the aforesaid FRSA, upon demand, the amount hereof in good and lawful money of the United States of America, not as a penalty, but as liquidated damages.

IN TESTIMONY THEREOF, the Principal and Surety have caused these presents to be duly signed and sealed this _____ day of _____, 20_____.

Principal

(Seal)

By _____

Name: _____

Title: _____

Date: _____

Attest:

Secretary

Surety

(Seal)

By _____

Name: _____

Title: _____

Date: _____

Not to be used for bidding purposes

Agreement

1. General

THIS AGREEMENT, made and concluded this _____ day of _____, 2026, between the Four Rivers Sanitation Authority (FRSA), Rockford, Illinois, acting by and through the Board of Trustees, and _____, his/their executors, administrators, successors or assigns:

2. Scope of Work

WITNESSETH: That for and in consideration of the payments and agreements made in the Proposal attached hereto, to be made and performed by FRSA and according to the terms expressed in the Bond referring to these presents, the Contractor agrees with FRSA at his/their own proper cost and expense to do all the work, furnish all equipment, materials and all labor necessary to complete the work in accordance with the plans and specifications hereinafter described, and in full compliance with all of the terms of this agreement and the requirements of FRSA and its representative.

And it is also understood and agreed that the Bidding Requirements, Detailed Specifications, Contract Forms, General Conditions, General Requirements, Technical Specifications, Plans, Addenda, and provisions required by law are all essential documents of the contract, and are a part hereof, as if herein set out verbatim or as if attached, except for titles, subtitles, headings, table of contents and portions specifically excluded.

3. Contract Price

FRSA shall pay to the Contractor, and the Contractor shall accept, in full payment for the performance of this Contract, subject to any additions or deductions provided for hereby, in current funds, the Total Contract Price of _____ and 00/100 (\$ _____).

Payments are to be made to the Contractor in accordance with and subject to the provisions of Section 7 of this Agreement, which is a part of this Contract.

4. Bond

The Contractor has entered into and herewith tenders a bond of even date herewith, in the penal sum of _____ and 00/100 (\$ _____) to insure the faithful performance of this Contract, which said bond is hereby made a part of this Contract by reference.

5. Maintenance and Guarantee

The Contractor shall promptly repair, replace, restore or rebuild any imperfections that may arise and shall maintain satisfactory to FRSA all work for a period three years from the date of final acceptance of the Contract for trench settlement and for a period of two years all other work, except where periods of maintenance and guarantee are provided for. The Contractor shall, for this period, indemnify and save harmless the FRSA, its officers and agents from any injury done to property or persons as a direct or alleged result of imperfections in the Contractors' work, and shall immediately assume and take charge of the defense of such action or suits in like manner and to all intents and purposes as if said actions and suits had been brought directly against the Contractor.

If the Contractor shall fail to repair, replace, rebuild or restore such defective or damaged work promptly after receiving notice given by FRSA, the FRSA shall have the right to have the work done by others and to call on the Contractor and his bondsman to pay the costs thereof.

6. Contract Execution

IT IS EXPRESSLY UNDERSTOOD AND AGREED that the entire improvement shall be done in a thorough and workmanlike manner, under the direction and to the satisfaction of FRSA and in full compliance with all the requirements of its representative under them. All loss or damage arising out of the nature of the work to be done, or from any detention of unforeseen obstruction or difficulty which may be encountered in the prosecution of the work, or from the action of the elements, shall be sustained by the Contractor.

The Contractor will be held responsible for all accidents, and hereby agrees to indemnify and protect FRSA from all suits, claims, and actions brought against it, and all cost, and damages which FRSA may be put to by reason of an injury or alleged injury, to the person or property of another in the execution of this contract, or the performance of the work, or in guarding the same, or for any material used in its prosecution or in its construction.

Any person employed on the work who shall refuse or neglect to obey the directions of FRSA or its representative, or who shall be deemed by FRSA to be incompetent, or who shall be guilty of any disorderly conduct, or who shall commit any trespass on any public or private property in the vicinity of the work, shall at once be removed from the work by the Contractor when so requested by FRSA.

Any request to extend the contract completion date must be considered by the Board at the Board meeting prior to the then-existing contract termination date. Any deviation from this action will result in the liquidated damage clause in the contract to be exercised.

7. Payments to Contractor

FRSA hereby covenants and agrees, in consideration of the covenants and agreements in this Contract, specified to be kept and performed by the Contractor and subject to the conditions herein contained, and if FRSA receives an acceptable invoice prior to the tenth day of the month and receives approval of the work by the FRSA's Director of Engineering, FRSA shall issue payment before the fifth day of the succeeding month. If FRSA receives an acceptable invoice on or after the tenth day of the month, FRSA shall issue payment before the fifth day of the second succeeding month.

FRSA reserves the right at all times to refuse to issue payment in case the Contractor has neglected or failed to pay any subcontractors, workmen or employee on the work.

8. Subcontracts

No part of the work herein provided for shall be sublet or subcontracted without the express consent of FRSA, to be entered in the records, and in no case shall consent relieve the Contractor from the obligation herein entered into, or change the terms of this Agreement.

9. Contractor's Responsibility

This Contract shall extend to and be binding upon the successors and assigns, and upon the heirs, administrators, executors, and legal representatives of the Contractor.

In consideration of and to induce the award of this Contract to him, the Contractor represents and warrants: that he is not in arrears to FRSA upon debt of the Contract and that he is not a defaulter, as surety, contractor or otherwise; that he is financially solvent and sufficiently experienced and competent to perform the work; that the work can be performed as called for by the Contract; that the facts stated in his proposal and the information given by him is true and correct in all respects, and that he is fully informed regarding all the conditions affecting the work to be done and labor and materials to be furnished for the completion of this Contract and that his information was secured by personal investigation and research.

The Contractor shall pay not less than the prevailing wage rate as determined by the Department of Labor, to all laborers, workmen and mechanics performing work under this Contract. Contractor shall comply with current revisions of the wage standards; as required by law. The Contractor shall be responsible for verifying the prevailing wages each month and notifying all subcontractors of the appropriate monthly rates. The State of Illinois requires contractors and subcontractors on FRSA projects to submit certified payroll reports via the State's Certified Transcript of Payroll Portal currently found at: <https://labor.illinois.gov/laws-rules/conmed/certifiedtranscriptofpayroll.html>. The Contractor is responsible for verifying current website.

In regard to nondiscrimination in employment, Contractor will be required to comply with the Illinois Fair Employment Practices Commission's Rules and Regulations as provided herein.

The Contractor shall comply with the American Disabilities Act of 1990 (ADA). The Contractor will hold harmless and indemnify FRSA and their representatives from all:

- (a) suits, claims, or actions;
- (b) costs, either for defense (including but not limited to reasonable attorney's fees and expert witness fees) or for settlement, and;
- (c) damages of any kind (including but not limited to actual, punitive, and compensatory damages)

relating in any way to or arising out of the ADA, to which said firm is exposed or which it incurs in the execution of the contract.

Contractor shall also comply with Public Act 101-0221, which requires any party to a contract to adopt and enforce a written policy regarding sexual harassment that includes, as a minimum, the following information:

- (a) the illegality of sexual harassment
- (b) the definition of sexual harassment under Illinois State law;
- (c) a description of sexual harassment, utilizing examples;
- (d) my (our) organization's internal complaint process including penalties;
- (e) through the Illinois Department of Human Rights and the Illinois Human Rights Commission;
- (f) directions on how to contact the Department and the Commission; and
- (g) protection against retaliation as provided by Section 6-101 of the Illinois Human Rights Act.

Upon request this information will be provided to the Illinois Department of Human Rights. Upon FRSA award of a contract, FRSA will be provided this information described no more than ten working days after FRSA issues its award notification.

The Contractor shall comply with Public Act 96-929 (30 ILCS 570) which provides that Illinois residents be employed on Illinois public works projects, provided there has been a period of excessive unemployment (5%) in the State of Illinois as defined in the Act; and further, that Illinois workers are available and capable of performing the particular type work involved.

The Contractor shall comply with all rules and regulations of OSHA during the execution of this Contract.

The Contractor shall comply with the Federal Drug Free Workplace Act.

The Steel Products Procurement Act, Illinois Public Act 83-1030, requires that steel products used or supplied in performance of this Contract or subcontract shall be manufactured or produced in the United States with three exceptions, as explained in the Instructions to Bidders.

The Contractor shall comply with Public Act 96-1416 regarding the disposal of CCDD and uncontaminated soil at CCDD fill sites as explained in the Instructions to Bidders.

10. Time

Work under this Agreement shall be commenced upon written Notice to Proceed. The completion date for this project shall be October 31, 2026.

11. Liquidated Damages

The amount of liquidated damages shall be \$300.00 per calendar day.

12. Counterparts

This Agreement may be executed and recorded in counterparts, each of which shall be deemed an original and all of which, when taken together, shall constitute one and the same instrument. The Parties hereby acknowledge and agree that facsimile signatures or signatures transmitted by electronic mail in so-called "pdf" format shall be legal and binding and shall have the same full force and effect as if an original of this Agreement had been delivered. Each of the parties (a) intend to be bound by the signatures on any document sent by facsimile or electronic mail, (b) are aware that the other party will rely on such signatures, and (c) hereby waive any defenses to the enforcement of the terms of this Agreement based on the foregoing forms of signature.

13. Seals

IN WITNESS WHEREOF, the parties have hereunto set their hands and seals, and such of them as are corporations have caused these presents to be signed by their duly authorized officers.

(Seal)

Four Rivers Sanitation Authority
Winnebago County, Illinois

By _____
President, Board of Trustees

ATTEST: _____
Clerk of the Board

Contractor

(Corporate Seal)

By _____
Contractor's Officer

Name: _____

Title: _____

Date: _____

ATTEST: _____

Not to be used for bidding purposes

Labor & Material Payment Bond

TO: _____ Contractor Name
_____ Contractor City, State

KNOW ALL MEN BY THESE PRESENTS

That _____ (Contractor)

as Principal, and _____

a corporation of the State of _____ as Surety, are held and firmly bound unto the Four Rivers Sanitation Authority, as Obligee, for the use and benefit of claimants as hereinafter defined in the amount of

_____ Dollars (\$ _____), for the payment where of Principal and Surety bind themselves, their heirs, executors, administrators, successors and assigns, jointly and severally, firmly by these presents.

WHEREAS, Principal has by written agreement dated _____ 20__ Entered into a Contract with Obligee for _____ in accordance with contract documents prepared by the Four Rivers Sanitation Authority which Contract is by reference made a part hereof, and is hereinafter referred to as "the Contract".

NOW, THEREFORE, THE CONDITION OF THIS OBLIGATION is such that if Principal shall promptly pay for all laborers, workers and mechanics engaged in the work under the Contract, and not less than the general prevailing rate of hourly wages of a similar character in the locality in which the work is performed, as determined by the State of Illinois Department of Labor pursuant to the Illinois Compiled Statutes 280 ILCS 130 / 1-12 et.seq. and for all material used or reasonably required for use in the performance of the Contract, then this obligation shall be void; otherwise it shall remain in full force and effect.

1. A claimant is deemed as any person, firm, or corporation having contracts with the Principal or with any of Principal's subcontractors for labor or materials furnished in the performance of the Contract on account of which this Bond is given.
2. Nothing in this Bond contained shall be taken to make the Obligee liable to any subcontractor, material man or laborer, or to any other person to any greater extent than it would have been liable prior to the enactment of The Public Construction Bond Act, approved June 20, 1931, as amended; provided further, that any person having a claim for labor and materials furnished in the performance of the Contract shall have no right of action unless he shall have filed a verified notice of such claim with the Obligee within 180 days after the date of the last item of work or the furnishing of the last item of materials, which claim shall have been verified and shall contain the name and address of the claimant, the business address of the claimant within the State of Illinois, if any, or if the claimant be a foreign corporation having no place of business within the State the principal place of business of the corporation, and in all cases of partnership the names and residences of each of the partners, the name of the Contractor

for the Obligee, the name of the person, firm or corporation by whom the claimant was employed or to whom such claimant furnished materials, the amount of the claim and a brief description of the public improvement for the construction or installation of which the contract is to be performed. No defect in the notice herein provided for shall deprive the claimant of its right of action under the terms and provisions of this Bond unless it shall affirmatively appear that such defect has prejudiced the rights of an interested party asserting the same.

3. No action shall be brought on this Bond until the expiration of 120 days after the date of the last item of work or of the furnishing of the last item of material except in cases where the final settlement between Obligee and the Contractor shall have been made prior to the expiration of the 120 day period, in which case action may be taken immediately following such final settlement; nor shall any action of any kind be brought later than 6 months after the acceptance by the Obligee of the work. Such suit shall be brought only in the circuit court of this State in the judicial district in which the Contract is to be performed.
4. Surety hereby waives notice of any changes in the Contract, including extensions of time for the performance thereof.
5. The amount of this Bond shall be reduced by and to the extent of any payment or payments made in good faith hereunder.
6. The Principal and Surety shall be liable for any attorneys' fees, engineering costs, or court costs incurred by the Obligee relative to claims made against this Bond.

Signed and Sealed this _____ day of _____, 20__.

CONTRACTOR

SURETY

Contractor Firm Name

By: _____
Signature

Printed Name

Title

By: _____
Attorney-in-Fact Signature

Printed Name

Resident Agent

ATTEST:

Corporate Secretary (Corporations only)

Performance Bond

KNOW ALL MEN BY THESE PRESENTS, that WHEREAS, the Four Rivers Sanitation Authority has awarded to: _____ hereinafter designated as the “Principal”, a contract, dated, _____, for the Four Rivers Sanitation Authority.

WHEREAS, said Principal is required under the terms of said Contract to furnish a bond for the faithful performance of said Contract (the “Bond”);

NOW, THEREFORE, we the Principal and _____ as Surety, are firmly bound unto the Four Rivers Sanitation Authority in the penal sum of _____

Dollars (\$ _____) lawful money of the United States for the payment of which sum well and truly to be made, we bind ourselves, our heirs, executors, administrators, successors and assigns, jointly and severally firmly by these presents for a performance bond. The conditions of this obligation is such that if the said Principal does well and faithfully performs all the conditions and covenants of said Contract, according to the true intent and meaning thereof, upon its part to be kept and performed, then the above obligation is to be null and void, otherwise to remain in full force and effect.

THE CONDITION OF THIS OBLIGATION IS SUCH, that if the above bounden Principal, its heirs, executors, administrators, successors or assigns, shall in all things stand to and abide by, and well and truly keep and perform the covenants, conditions and agreements in the said Contract, including the provisions for liquidated damages in the said Contract, any changes, additions or alterations thereof made as therein provided, on its part, to be kept and performed at the time and in the manner therein specified, and in all respects according to their true intent and meaning, and shall indemnify and save harmless the Four Rivers Sanitation Authority, its officers and agents, as therein stipulated, then this obligation shall become null and void; otherwise it shall be and remain in full force and effect. And the said Surety, for value received, hereby stipulates and agrees that no change, extension of time, alteration or addition to the terms of the Contract or to the work to be performed thereunder or the specifications accompanying the same and no inadvertent overpayment of progress payments shall in any way affect its obligations on this Bond, and it does hereby waive notice of any such change, extension of time, alteration or addition to the terms of the Contract or to the work or to the specifications or of any inadvertent overpayment of progress payments. The Four Rivers Sanitation Authority shall be named as beneficiary on this Performance Bond.

IN WITNESS WHEREOF, the above-bounden parties have executed this instrument under their seal this _____ day of _____, 20_____, the name and corporate seal of each corporate party being hereto affixed and these presents duly signed by its undersigned representative, pursuant to authority of its governing body.

CONTRACTOR

SURETY

Contractor Firm Name

By: _____
Signature

Printed Name

Title

By: _____
Attorney-in-Fact Signature

Printed Name

Resident Agent

ATTEST:

Corporate Secretary (Corporations only)

Not to be used for bidding purposes

Section III

Service List

&

Project Location Maps

2026-2027 Service Cleanout Installation
Capital Project #2701
Section III - Service List

Base Bid Item No.	Address	PIN	Upstream Basin	Upstream MH	Downstream Basin	Downstream MH	Wye (From D/S MH)	Estimated Main Depth (ft)	Service Location	Estimated Service Depth (ft)	Cast Iron Pipe to Curb or Public Roadway ²	Work Description	Potential Construction Related Issues ¹							Notes		
													Roadway Jurisdiction	Map No.	Sidewalk	Curb & Gutter	Driveway (HMA/PCC)	Landscape	OH Utilities		Tree Rem. or Trimming	
1	3618 Delaware St	11-20-428-003	42	42	42	041A	187.9	13.5	37 EW	13.5	N-CP 166(1)	Install 6" Cleanout	Rockford	1	Y	N	N	Y - HMA/PCC	N	Y	N	On COR moratorium, expires 12/31/2030, PCC Apron
2	5629 Hollis Ave	12-06-329-044	96	30	96	29	87.4	10.0	21 NS	9.5	N-0256	Install 6" Cleanout	Loves Park	2	Y	N	N	N	N	N	N	
3	5630 Hollis Ave	12-06-329-045	96	30	96	29	123.5	10.0	29 NS	9.5	N-0256	Install 6" Cleanout	Loves Park	2	Y	N	N	N	N	N	N	
4	5634 Hollis Ave	12-06-329-044	96	30	96	29	183.6	9.5	29 NS	9.0	N-0256	Install 6" Cleanout	Loves Park	2	Y	N	N	N	N	N	Y	
5	5637 Hollis Ave	12-06-329-002	96	30	96	29	210.5	9.5	24.5 NS	9.0	N-0256	Install 6" Cleanout	Loves Park	2	Y	N	N	N	N	N	Y	Possible removal/ replacement of yard lamp
6	5638 Hollis Ave	12-06-329-043	96	30	96	29	246.3	9.0	31.5 NS	8.5	N-0256	Install 6" Cleanout	Loves Park	2	Y	N	N	N	N	N	Y	
7	5641 Hollis Ave	12-06-329-001	96	30	96	29	276.3	9.0	30 NS	8.5	N-0256	Install 6" Cleanout	Loves Park	2	Y	N	N	N	N	N	Y	
8	5703 Hollis Ave	12-06-328-037	96	30	96	069B	279.2	8.0	31.5 NS	7.5	Unknown	Install 6" Cleanout	Loves Park	2	N	N	N	N	N	N	Y	
9	5707 Hollis Ave	12-06-328-036	96	30	96	069B	203.3	8.5	18 SN	8.0	Y	Install 6" Cleanout	Loves Park	2	Y	N	N	N	N	N	N	Per FRSA inspection, transition to clay 8-10' from property line, C/O installed on private prop. 01/2026
10	5708 Hollis Ave	12-06-329-040	96	30	96	069B	233.6	8.5	16.5 SN	8.0	Unknown	Install 6" Cleanout	Loves Park	2	N	N	N	N	N	N	N	
11	5712 Hollis Ave	12-06-329-039	96	30	96	069B	175.9	9.0	17 SN	8.5	Unknown	Install 6" Cleanout	Loves Park	2	Y	N	N	N	Y	N	N	
12	5715 Hollis Ave	12-06-328-034	96	30	96	069B	96.6	9.0	29 NS	8.5	Y	Install 6" Cleanout	Loves Park	2	Y	N	N	N	Y	N	Y	Possible removal/ replacement of concrete wall, per FRSA inspection, transition to clay 7-8' from property line, C/O installed on private prop. 01/2026
13	5716 Hollis Ave	12-06-329-038	96	30	96	069B	114.8	9.0	15 SN	8.5	Unknown	Reconnect 4" PVC w/ Saddle Tee	Loves Park	2	N	N	N	N	N	N	Y	
14	5720 Hollis Ave	12-06-329-037	96	30	96	069B	66.1	9.5	31 SN	9.0	Unknown	Install 6" Cleanout	Loves Park	2	N	N	N	N	N	N	N	HMA Road, water main crossing
15	323 Hollister Ave	12-30-103-022	39	121	39	108	201.9	9.5	26.5 SN	7.5	N-CP 022(1)	Install 6" Cleanout	Rockford	3	Y	N	N	N	N	N	N	
16	328 Hollister Ave	12-30-104-007	39	121	39	108	164.1	9.5	31 NS	6.0	N-CP 022(1)	Install 6" Cleanout	Rockford	3	Y	N	N	N	N	N	N	
17	401 Hollister Ave	12-30-103-024	39	121	39	108	107.0	9.0	24.5 NS	7.5	N-CP 022(1)	Install 6" Cleanout	Rockford	3	Y	N	N	N	N	N	N	
18	402 Hollister Ave	12-30-104-008	39	121	39	108	107.0	9.0	27 NS	9.0	N-CP 022(1)	Install 6" Cleanout	Rockford	3	Y	N	N	N	N	N	Y	
19	406 Hollister Ave	12-30-104-009	39	121	39	108	55.5	8.5	20 NS	8.5	N-CP 022(1)	Install 6" Cleanout	Rockford	3	Y	N	N	N	N	N	Y	Possible removal/ replacement of concrete steps
20	112 Hunter Ave	12-30-105-002	40	23	40	22	143.6	8.0	33 NS	8.0	N-CP 172(2)	Install 6" Cleanout	Rockford	4	Y	N	N	N	Y	Y	Y	
21	216 Hunter Ave	12-30-106-003	40	22	40	19	150.6	10.0	30 NS	8.5	N-CP 172(2)	Install 6" Cleanout	Rockford	5	Y	N	N	N	N	Y	Y	
22	219 Hunter Ave	12-30-102-024	40	22	40	19	129.6	10.0	40.5 NS	8.5	N-CP 172(2)	Install 6" Cleanout	Rockford	5	Y	N	N	N	N	N	N	
23	605 Loves Park Dr	12-06-356-002	96	26	96	25	340.2	8.5	29 EW	8.0	N-0254	Reconnect 4" PVC w/ Saddle Tee	Loves Park	6	N	N	N	N	N	N	N	HMA Road, storm sewer crossing
24	608 Loves Park Dr	12-06-355-012	96	27	96	26	51.8	8.5	21.5 EW	8.0	N-0254	Install 6" Cleanout	Loves Park	6	N	N	N	N	N	N	Y	
25	612 Loves Park Dr	12-06-355-013	96	27	96	26	111.2	8.5	30.5 EW	8.0	N-0254	Replace w/ Cleanout & Saddle Tee	Loves Park	6	N	Y	N	N	N	N	Y	HMA Road, water main crossing
26	613 Loves Park Dr	12-06-356-004	96	27	96	26	105.2	8.5	30 EW	8.0	N-0254	Replace w/ Cleanout & Saddle Tee	Loves Park	6	Y	Y	N	N	N	N	N	HMA Road, storm sewer crossing
27	619 Loves Park Dr	12-06-356-005	96	27	96	26	164.8	8.5	31 EW	8.0	N-0254	Install 6" Cleanout	Loves Park	6	Y	N	N	N	N	N	Y	
28	620 Loves Park Dr	12-06-355-015	96	27	96	26	230.2	8.5	31 EW	8.0	N-0254	Install 6" Cleanout	Loves Park	6	Y	N	N	N	N	N	N	
29	621 Loves Park Dr	12-06-356-006	96	27	96	26	224.5	8.5	31 EW	8.0	N-0254	Install 6" Cleanout	Loves Park	6	Y	N	N	N	N	N	Y	
30	2604 Oak Grove Ln	12-30-105-003	40	23	40	22	60.3	9.0	41 NS	9.0	N-CP 172(2)	Install 6" Cleanout	Rockford	4	Y	N	N	N	N	Y	N	
31	2721 Oak Grove Ln	12-30-106-019	40	81	40	75	64.3	13.0	46 WE	10.0	N-CP 172(2)	Install 6" Cleanout	Rockford	7	Y	N	N	N	N	N	N	Service on Hunter Ave
32	2722 Oak Grove Ln	12-30-105-017	40	81	40	75	118.2	13.0	36 WE	9.0	N-CP 172(2)	Install 6" Cleanout	Rockford	7	Y	N	N	N	N	N	N	On COR moratorium, expires 12/31/2029
33	2803 Oak Grove Ln	12-30-127-001	40	75	40	74	220.9	10.0	55 EW	9.0	N-CP 172(2)	Install 6" Cleanout	Rockford	7	Y	N	N	N	N	Y	N	On COR moratorium, expires 12/31/2029
34	2812 Oak Grove Ln	12-30-126-011	40	75	40	74	42.2	10.0	29 WE	7.5	N-CP 172(2)	Install 6" Cleanout	Rockford	7	Y	N	N	N	N	N	N	
35	2928 Oak Grove Ln	12-30-126-017	40	73	40	70	235.5	10.0	28 WE	9.0	N-CP 182(2)	Install 6" Cleanout	Rockford	8	Y	N	N	N	N	N	Y	
36	2931 Oak Grove Ln	12-30-129-001	40	73	40	70	156.5	10.0	38 WE	8.0	N-CP 182(2)	Install 6" Cleanout	Rockford	8	Y	N	Y - PCC	N	N	Y	N	PCC Apron
37	2934 Oak Grove Ln	12-30-126-018	40	73	40	70	172.0	10.5	33 WE	10.0	N-CP 182(2)	Install 6" Cleanout	Rockford	8	Y	N	N	N	N	N	N	
38	111 Oak Knolls Ave N	12-19-383-012	40	92	40	91	121.9	7.5	23 NS	7.5	N-CP 106A(1)	Install 6" Cleanout	Rockford	9	N	N	N	N	N	N	Y	
39	116 Oak Knolls Ave N	12-19-382-022	40	92	40	91	219.1	8.0	35.7 NS	8.0	N-CP 106A(1)	Install 6" Cleanout	Rockford	9	Y	N	N	Y	N	N	N	2 services to this lot, install on southmost. Possible removal/ replacement of concrete steps and yard lamp
40	223 Oak Knolls Ave N	12-19-383-002	40	93	40	92	292.0	14.0	25.4 NS	9.5	N-CP 106A(1)	Replace w/ Cleanout & Saddle Tee	Rockford	10	N	Y	N	N	N	N	N	Possible removal/ replacement of landscape stone wall, HMA Road
41	115 Oak Knolls Ave N	12-19-383-011	40	92	40	91	194.9	8.0	12.8 NS	8.0	N-CP 106A(1)	Install 6" Cleanout	Rockford	9	N	N	N	N	N	N	Y	
42	119 Oak Knolls Ave N	12-19-383-010	40	92	40	91	264.7	8.5	31.85 NS	8.5	N-CP 106A(1)	Install 6" Cleanout	Rockford	9	N	N	N	N	N	N	N	
43	123 Oak Knolls Ave N	12-19-383-009	40	92	40	91	307.1	8.5	24.05 NS	8.0	N-CP 106A(1)	Install 6" Cleanout	Rockford	9	N	N	N	N	N	N	N	
44	129 Oak Knolls Ave N	12-19-383-008	40	92	40	91	363.3	9.0	27.05 NS	8.0	N-CP 106A(1)	Install 6" Cleanout	Rockford	9	N	N	N	N	N	N	N	
45	211 Oak Knolls Ave N	12-19-383-005	40	93	40	92	146.9	12.0	29.85 NS	8.5	N-CP 106A(1)	Replace w/ Cleanout & Saddle Tee	Rockford	10	N	Y	N	N	N	N	N	HMA Road
46	219 Oak Knolls Ave N	12-19-383-003	40	93	40	92	242.1	13.5	26.65 NS	8.5	N-CP 106A(1)	Replace w/ Cleanout & Saddle Tee	Rockford	10	N	Y	N	N	N	N	N	HMA Road
47	220 Oak Knolls Ave N	12-19-382-013	40	93	40	92	236.2	13.5	22 NS	8.0	N-CP 106A(1)	Replace w/ Cleanout & Saddle Tee	Rockford	10	N	Y	N	Y	N	N	N	HMA Road, water main crossing
48	228 Oak Knolls Ave N	12-19-382-012	40	93	40	92	330.2	14.5	15.7 NS	9.5	N-CP 106A(1)	Replace w/ Cleanout & Saddle Tee	Rockford	10	N	Y	N	Y	N	N	N	HMA Road, water main crossing
49	315 Oak Knolls Ave N	12-19-379-010	40	95	40	94	41.9	12.0	25.5 NS	4.6	N-CP 106A(2)	Install 6" Cleanout	Rockford	11	Y	N	N	N	N	N	N	
50	318 Oak Knolls Ave N	12-19-378-025	40	95	40	94	96.5	12.0	28.5 NS	5.0	N-CP 106A(2)	Install 6" Cleanout	Rockford	11	Y	N	N	N	Y	N	N	
51	322 Oak Knolls Ave N	12-19-378-024	40	95	40	94	145.1	11.5	25 NS	7.0	N-CP 106A(2)	Install 6" Cleanout	Rockford	11	Y	N	N	N	N	N	N	
52	326 Oak Knolls Ave N	12-19-378-023	40	95	40	94	189.0	11.5	25.1 NS	6.0	N-CP 106A(2)	Install 6" Cleanout	Rockford	11	Y	N	N	N	N	N	Y	
53	1727 Price St	11-14-183-001	70	31	70	29	271.6	11.5	49 SN	8.4	N-CP 079(2)	Install 6" Cleanout	Rockford	12	Y	N	Y - PCC	N	N	N	N	Install cleanout on existing service, which appears to be on 1727 property
54	1722 Price St	11-14-182-009	70	31	70	29	259.7	11.5	11 SN	7.0	N-CP 079(2)	Install 6" Cleanout	Rockford	12	Y	N	N	N	Y	Y	Y	
55	1723 Price St	11-14-183-002	70	31	70	29	NA	11.5	NA	NA	NA	Install New 6" Service Stub and Cleanout to Property	Rockford		Y	Y	N	N	N	Y	N	New service for future, install S of 1723 DW. If 1727 service is loc. On 1723 prop., install such that both properties have service. HMA Road
56	220 Renrose Ave	11-01-253-025	95	83	95	82	3.3	11.0	34.5 EW	8.0	N-0936	Reconnect 4" PVC w/ Saddle Tee	Loves Park	13	N	N	N	N	N	N	N	HMA Road, water main crossing
57	221 Renrose Ave	11-01-254-006																				

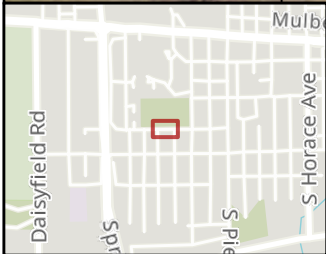
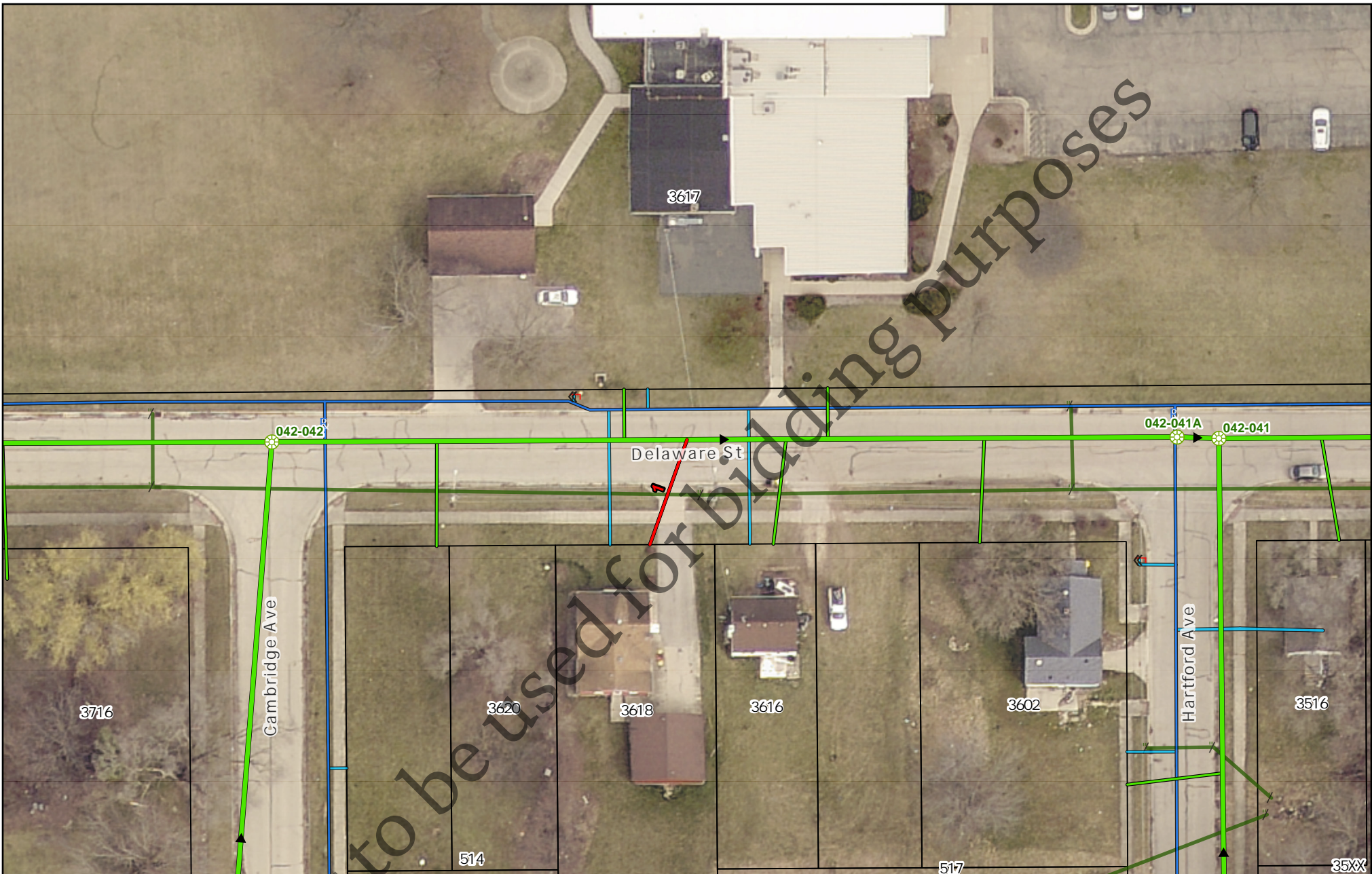
2026-2027 Service Cleanout Installation
Capital Project #2701
Section III - Service List

Alt. A Item No.	Full Address	PIN	Upstream Basin	Upstream MH	Downstream Basin	Downstream MH	Wye (from D/S MH)	Estimated Main Depth (ft)	Service Location	Estimated Service Depth (ft)	Cast Iron Pipe to Curb or Public Roadway ²	Work Description	Roadway Jurisdiction	Map No.	Sidewalk	Curb & Gutter	Driveway (HMA/PCC)	Landscape	OH Utilities	Tree Rem. or Trimming	Notes
86	615 Sheridan Dr	12-06-307-004	96	69	96	68	47.9	9.0	34 WE	8.5	N-0250	Install 6" Cleanout	Loves Park	20	Y	N	N	N	N	Y	
87	622 Sheridan Dr	12-06-306-013	96	69	96	68	170.9	9.0	32.5 EW	8.5	N-0251	Install 6" Cleanout	Loves Park	20	Y	N	N	N	N	Y	
88	623 Sheridan Dr	12-06-307-006	96	69	96	68	173.7	9.0	32 EW	8.5	N-0251	Install 6" Cleanout	Loves Park	20	Y	N	N	Y	N	Y	
89	631 Sheridan Dr	12-06-307-008	96	69	96	68	299.5	8.5	38 EW	8.0	N-0251	Install 6" Cleanout	Loves Park	20	Y	N	N	N	N	N	Possible removal/ replacement of yard lamp
90	702 Sheridan Dr	12-06-328-018	96	069A	96	69	54.8	8.5	29 EW	8.0	N-0251	Install 6" Cleanout	Loves Park	20	N	N	N	N	N	N	
91	722 Sheridan Dr	12-06-328-023	96	069A	96	69	370.2	8.5	31 EW	8.0	Unknown	Install 6" Cleanout	Loves Park	20	N	N	N	N	N	N	
92	2703 Somerset Ln	12-30-108-006	40	18	40	17	138.0	9.0	34 EW	9.0	N-CP 172(2)	Install 6" Cleanout	Rockford	21	Y	N	N	Y	N	N	Possible removal/ replacement of yard lamp
93	2704 Somerset Ln	12-30-107-016	40	18	40	17	111.3	9.0	32 WE	9.0	N-CP 172(2)	Install 6" Cleanout	Rockford	21	Y	N	N	N	N	N	
94	2709 Somerset Ln	12-30-108-007	40	18	40	17	195.9	9.0	37 EW	9.0	N-CP 172(2)	Install 6" Cleanout	Rockford	21	Y	N	N	N	N	Y	
95	2710 Somerset Ln	12-30-107-017	40	18	40	17	189.0	9.0	25 WE	9.0	N-CP 172(2)	Install 6" Cleanout	Rockford	21	Y	N	N	N	N	N	
96	2715 Somerset Ln	12-30-108-008	40	18	40	17	263.8	8.5	36 EW	8.5	N-CP 172(2)	Install 6" Cleanout	Rockford	21	Y	N	N	N	N	N	Possible removal/ replacement of yard lamp
97	2716 Somerset Ln	12-30-107-018	40	18	40	17	241.3	8.5	34 WE	8.0	N-CP 172(2)	Install 6" Cleanout	Rockford	21	Y	N	N	N	N	Y	
98	2910 State St	12-19-382-026	40	92	40	91	100.3	7.0	86.2 NS	7.0	Y-CP 106A(1)	Install 6" Cleanout	Rockford	9	N	N	N	Y	N	Y	Service on Oak Knolls Ave
1001	302 Theodore St	11-01-203-026	95	59	95	58	38.7	8.0	37.7 WE	7.3	N-0366	Install 6" Cleanout	Loves Park	22	Y	N	N	N	N	N	
1002	305 Theodore St	11-01-204-017	95	59	95	58	106.6	8.0	29.6 EW	7.1	N-0366	Install 6" Cleanout	Loves Park	22	Y	N	N	N	N	N	
1003	306 Theodore St	11-01-203-027	95	59	95	58	103.5	8.0	37.8 WE	7.0	N-0366	Install 6" Cleanout	Loves Park	22	Y	N	N	Y	N	N	
1004	309 Theodore St	11-01-204-018	95	59	95	58	165.2	8.0	29.5 EW	7.1	N-0366	Install 6" Cleanout	Loves Park	22	Y	N	N	N	N	N	
1005	310 Theodore St	11-01-203-028	95	59	95	58	162.0	8.0	38.2 WE	7.0	N-0366	Install 6" Cleanout	Loves Park	22	Y	N	N	N	N	N	
1006	318 Theodore St	11-01-203-030	95	59	95	58	282.0	8.0	25.5 EW	7.0	N-0366	Install 6" Cleanout	Loves Park	22	Y	N	N	Y	N	N	
1007	126 Welty Ave	12-19-356-010	39	75	39	074A	95.3	12.5	20 SN	8.0	N-CP 31(2)	Install 6" Cleanout	Rockford	23	Y	N	N	N	Y	N	
1008	130 Welty Ave	12-19-356-009	39	75	39	074A	144.7	12.5	27 SN	8.0	N-CP 31(2)	Install 6" Cleanout	Rockford	23	Y	N	N	N	Y	N	
1009	203 Welty Ave	12-19-357-011	39	75	39	074A	194.0	12.5	28 SN	7.0	N-CP 31(2)	Install 6" Cleanout	Rockford	23	Y	N	N	Y	N	Y	Possible removal/ replacement of concrete wall
1010	211 Welty Ave	12-19-357-009	39	75	39	074A	282.3	12.5	35 SN	5.5	N-CP 31(2)	Install 6" Cleanout	Rockford	23	Y	N	N	Y	Y	N	Possible removal/ replacement of segmental block wall and concrete wall
2001	209 Calvin Park Blvd S	12-30-106-020	40	76	40	75	117.3	10.0	18 SN	8.0	N-CP 172(2)	Install 6" Cleanout	Rockford	7	Y	N	N	N	N	N	
2002	210 Calvin Park Blvd S	12-30-127-002	40	76	40	75	120.4	10.0	25 SN	9.0	N-CP 172(2)	Install 6" Cleanout	Rockford	7	Y	N	N	N	N	Y	
2003	215 Calvin Park Blvd S	12-30-106-021	40	76	40	75	182.3	10.0	28 SN	8.0	N-CP 172(2)	Install 6" Cleanout	Rockford	7	Y	N	N	N	N	N	
2004	216 Calvin Park Blvd S	12-30-127-003	40	76	40	75	185.4	10.0	22 SN	8.5	N-CP 172(2)	Install 6" Cleanout	Rockford	7	Y	N	N	N	N	Y	
2005	221 Calvin Park Blvd S	12-30-106-022	40	76	40	75	239.6	10.0	19 SN	8.5	N-CP 172(2)	Install 6" Cleanout	Rockford	7	Y	N	N	N	N	N	
2006	222 Calvin Park Blvd S	12-30-127-004	40	76	40	75	244.3	10.0	19 SN	8.5	N-CP 172(2)	Install 6" Cleanout	Rockford	7	Y	N	N	N	N	N	

Note 1: "Potential Construction Related Issues" indicated above are based on FRSA site inspections and are provided as a courtesy. Contractor is responsible to inspect the project site(s) prior to preparing their bid to determine impact of existing conditions to the proposed work.

Note 2: "Cast Iron Pipe to Curb or Public Roadway" - This column indicates if existing service pipe from the building served extends into the public right of way (Indicated Y = Yes, N = No). The FRSA Construction Record Drawing number used to make the determination is also listed. Where indicated (Y), Contractor shall assume removal and replacement of PCC curb and gutter and pavement patching as required to connect new PVC service pipe to existing VCP service pipe. No additional costs for curb and gutter or pavement removal and replacement will be entertained by FRSA at locations indicated (Y).

Not to be used for bidding purposes



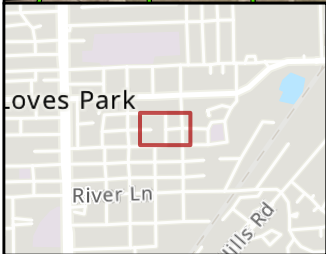
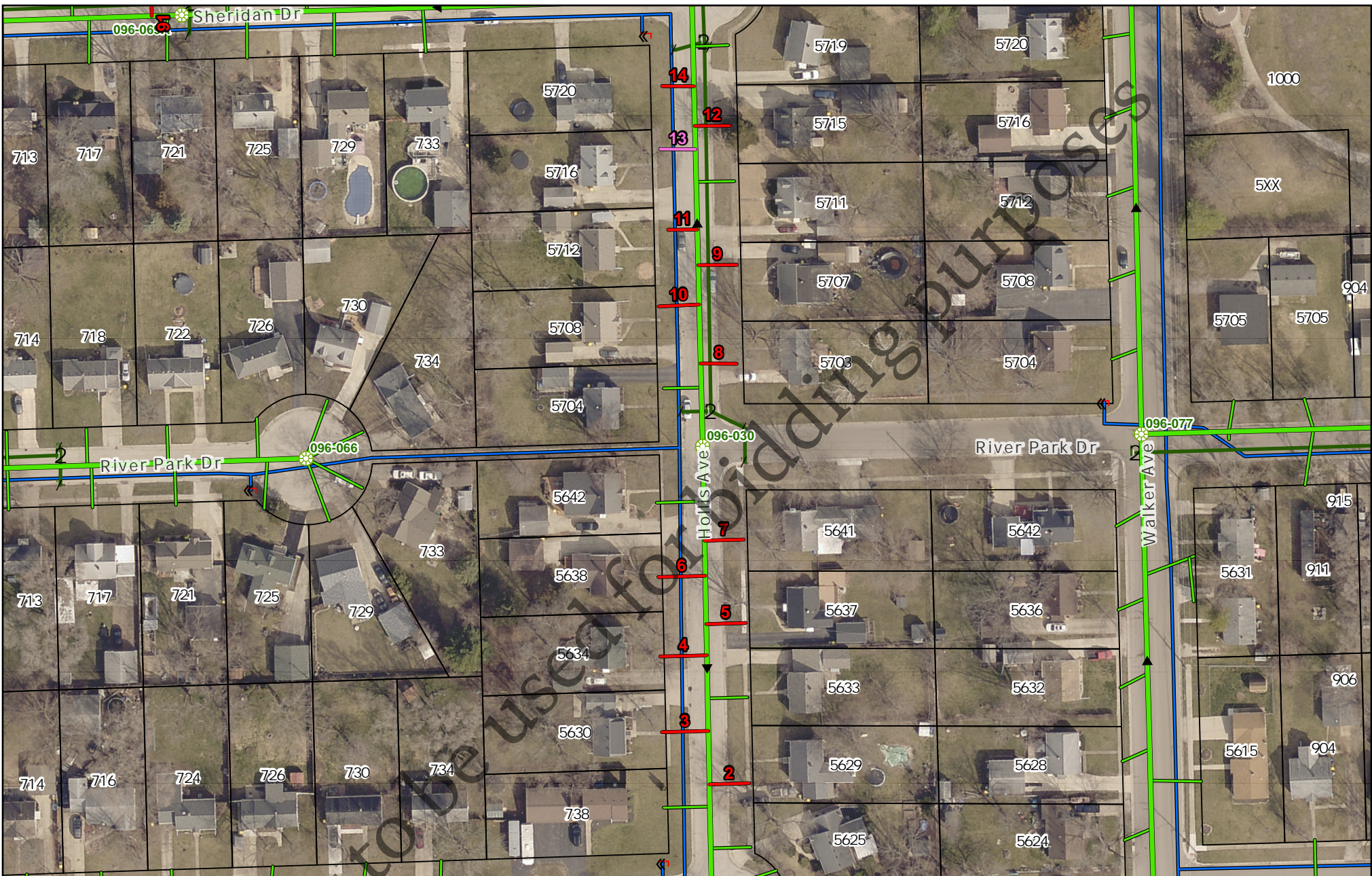
Service Cleanout Installations

Capital Project 2701

- Water Main
- Storm Sewer
- → Sanitary Sewer
- Cleanout Installation
- Replace Service
- Reconnect at Main

1

Produced: 3/19/2026 1 inch = 50 ft

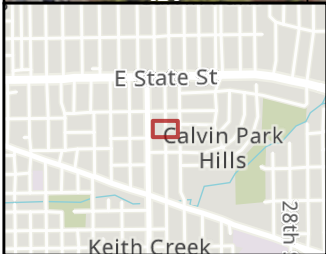
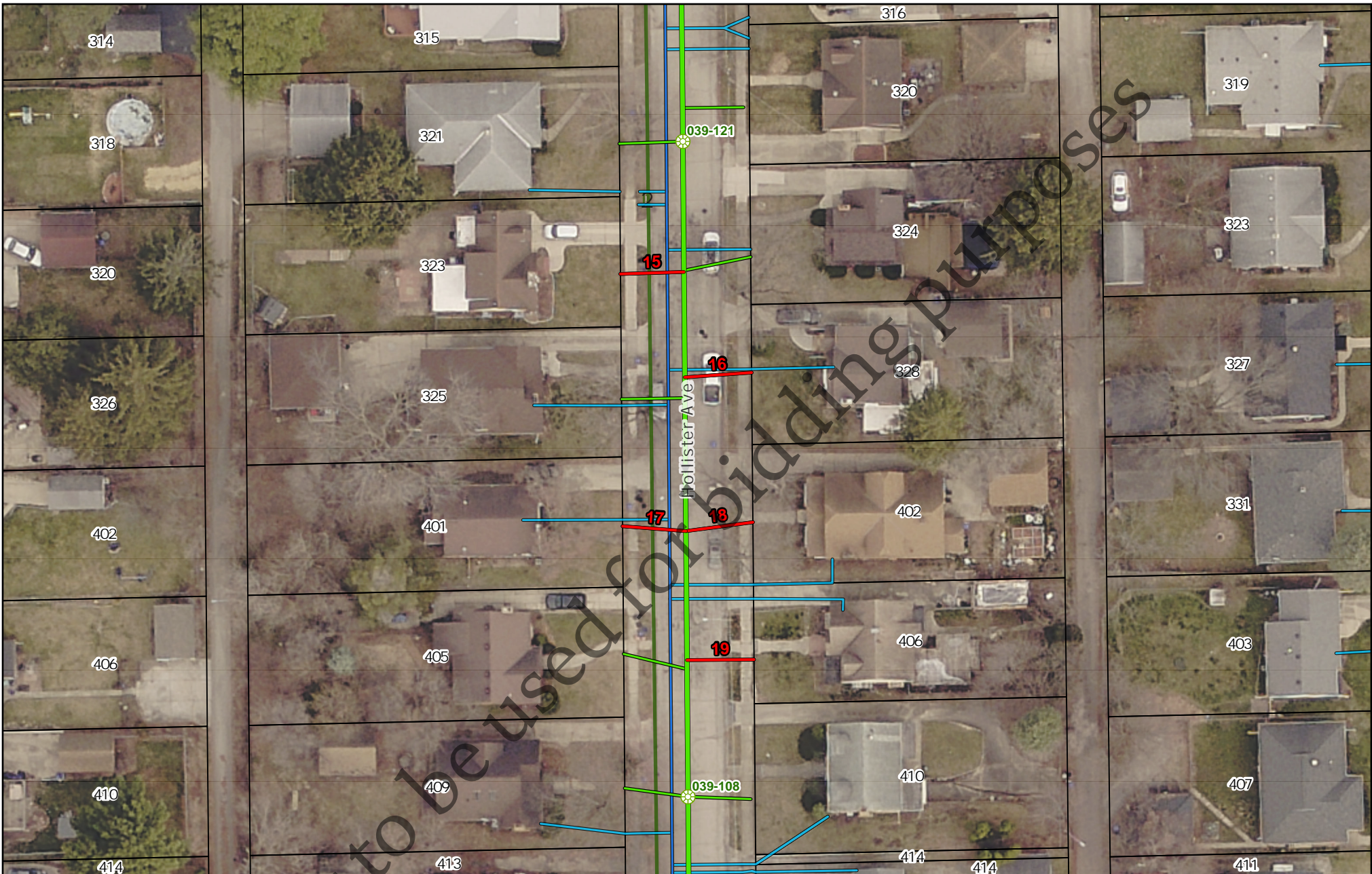


Service Cleanout Installations

Capital Project 2701

- Water Main
- Storm Sewer
- ▶ Sanitary Sewer
- Cleanout Installation
- Replace Service
- Reconnect at Main

2
 Produced: 3/19/2026 1 inch = 100 ft

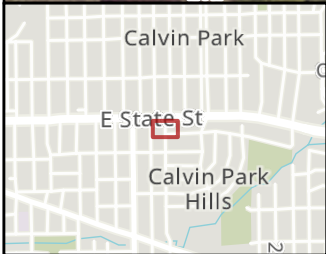


Service Cleanout Installations

Capital Project 2701

	Water Main
	Storm Sewer
	Sanitary Sewer
	Cleanout Installation
	Replace Service
	Reconnect at Main

Produced: 3/19/2026 1 inch = 50 ft



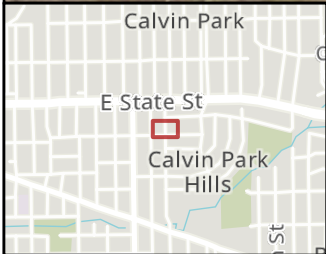
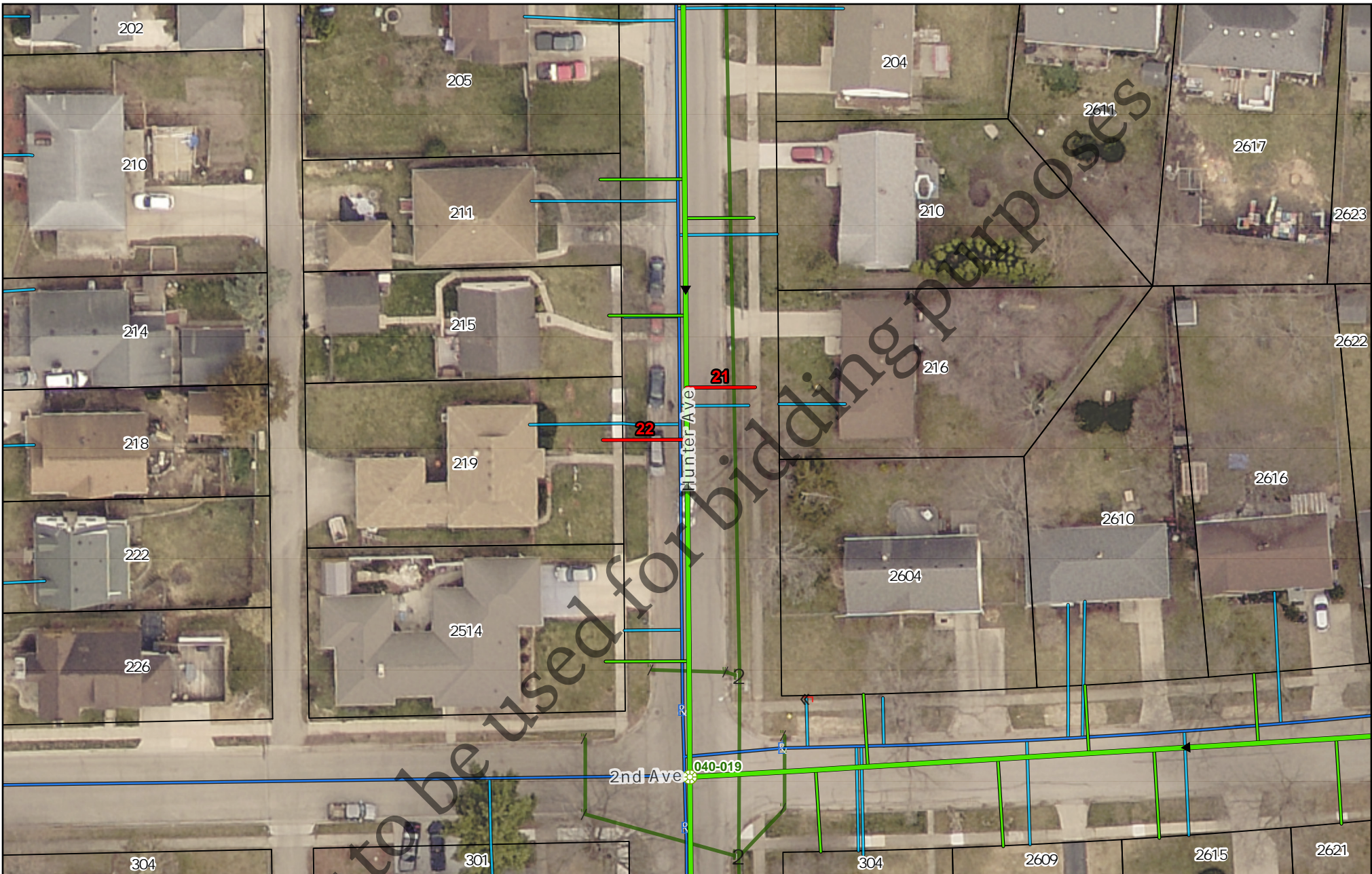
Service Cleanout Installations

Capital Project 2701

- Water Main
- Storm Sewer
- Sanitary Sewer
- Cleanout Installation
- Replace Service
- Reconnect at Main

Produced: 3/19/2026 1 inch = 50 ft





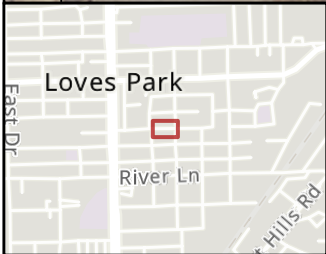
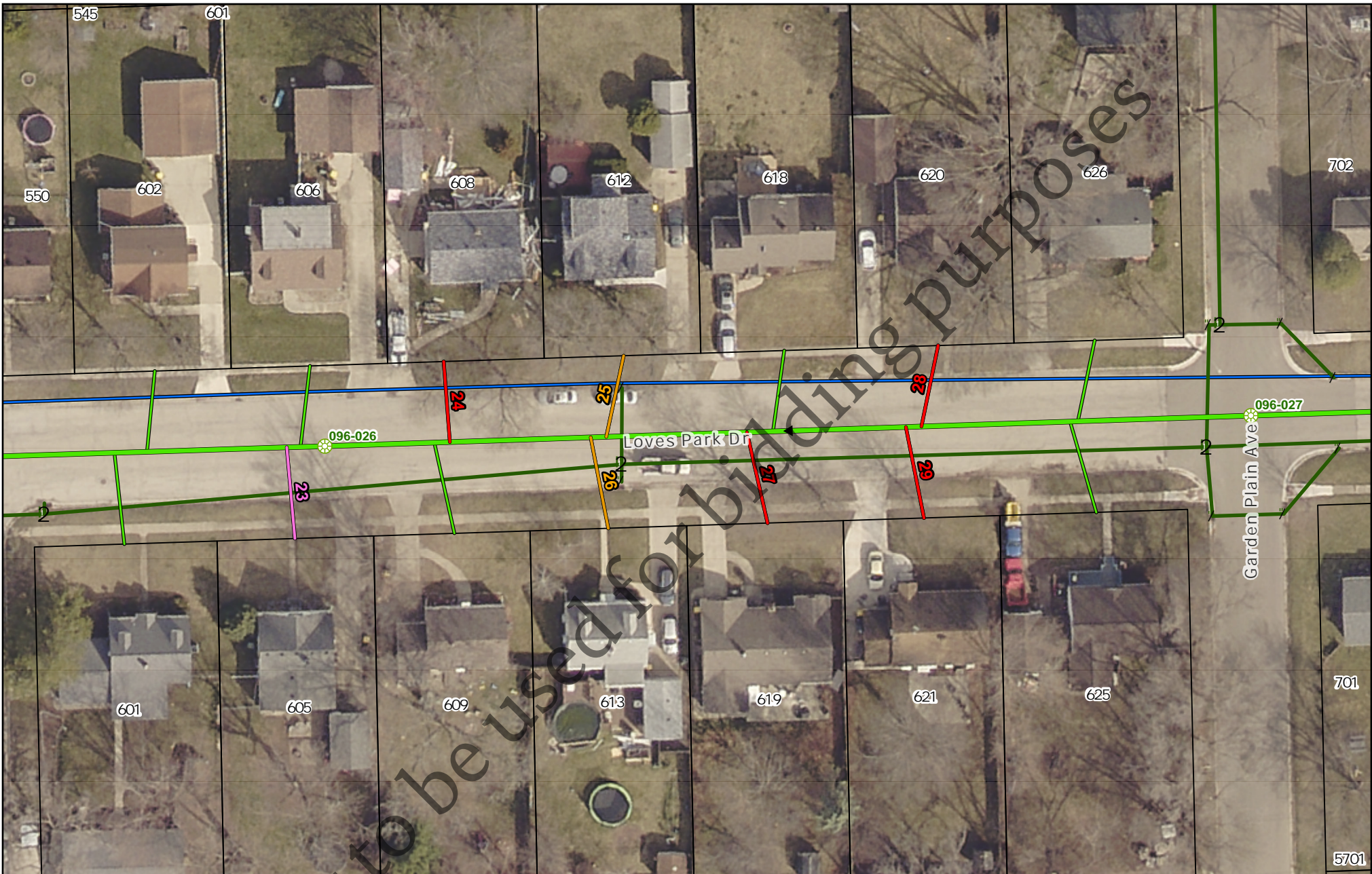
Service Cleanout Installations

Capital Project 2701

- Water Main
- Storm Sewer
- ➔ Sanitary Sewer
- Cleanout Installation
- Replace Service
- Reconnect at Main

5


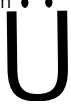
Produced: 3/19/2026 1 inch = 50 ft



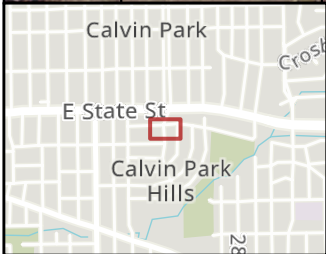
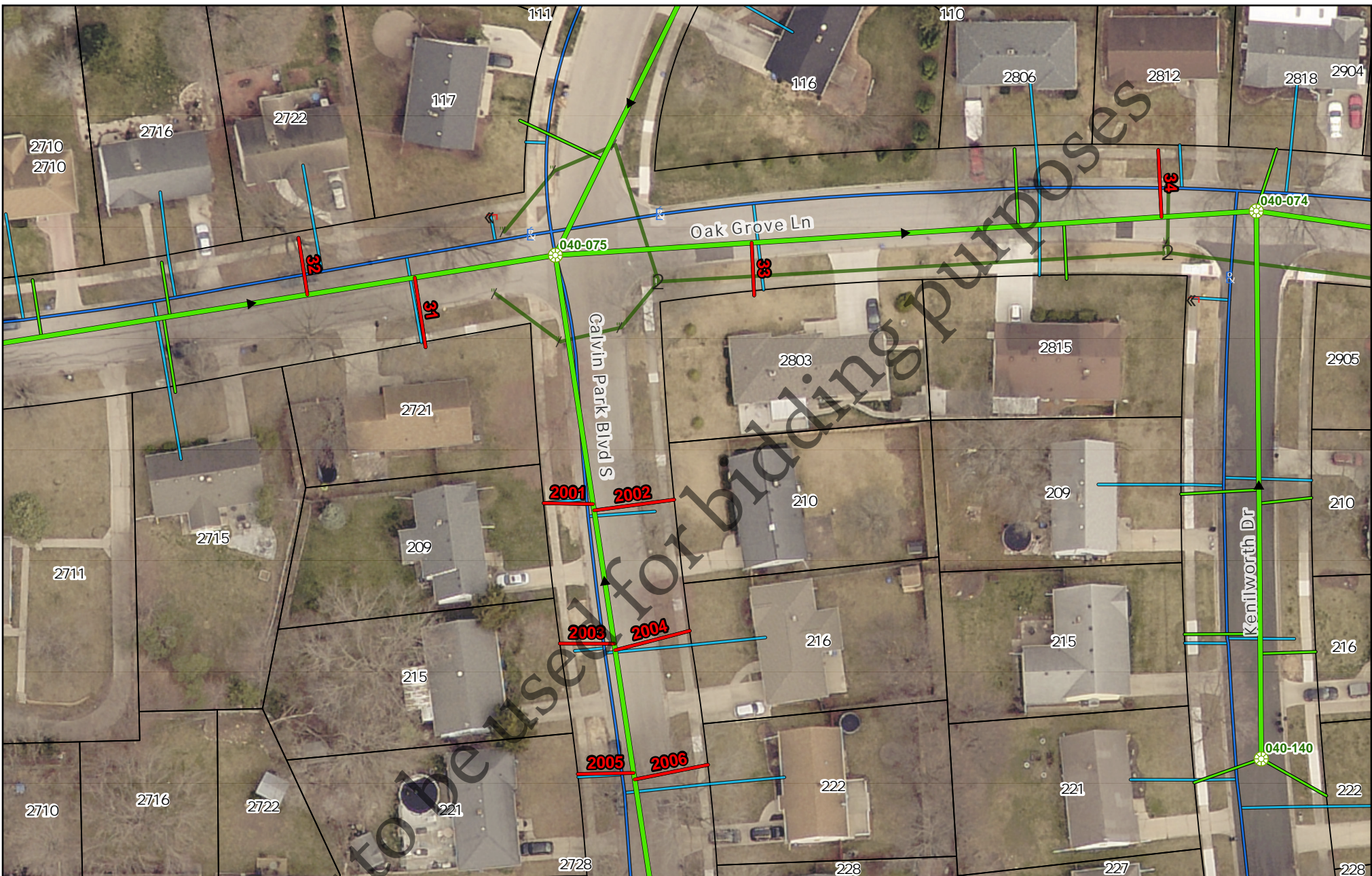
Service Cleanout Installations

Capital Project 2701

- Water Main
- Storm Sewer
- Sanitary Sewer
- Cleanout Installation
- Replace Service
- Reconnect at Main

Produced: 3/19/2026 1 inch = 50 ft



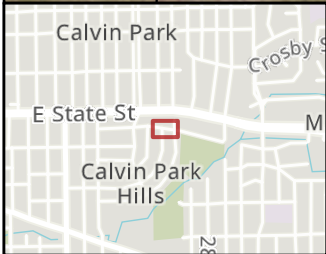
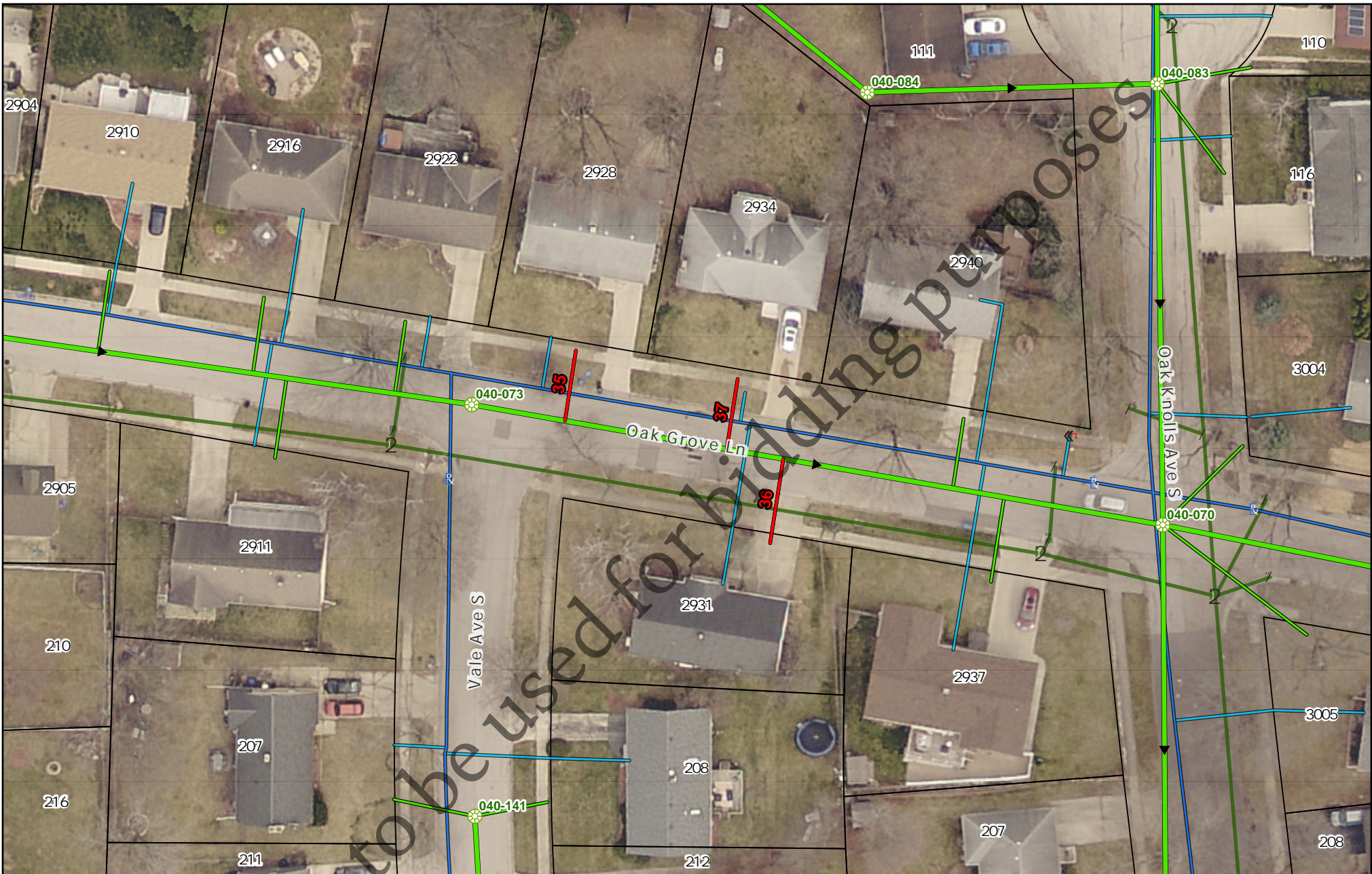
Service Cleanout Installations

Capital Project 2701

- Water Main
- Storm Sewer
- Sanitary Sewer
- Cleanout Installation
- Replace Service
- Reconnect at Main

7

Produced: 3/19/2026 1 inch = 60 ft

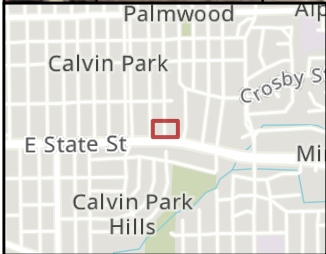
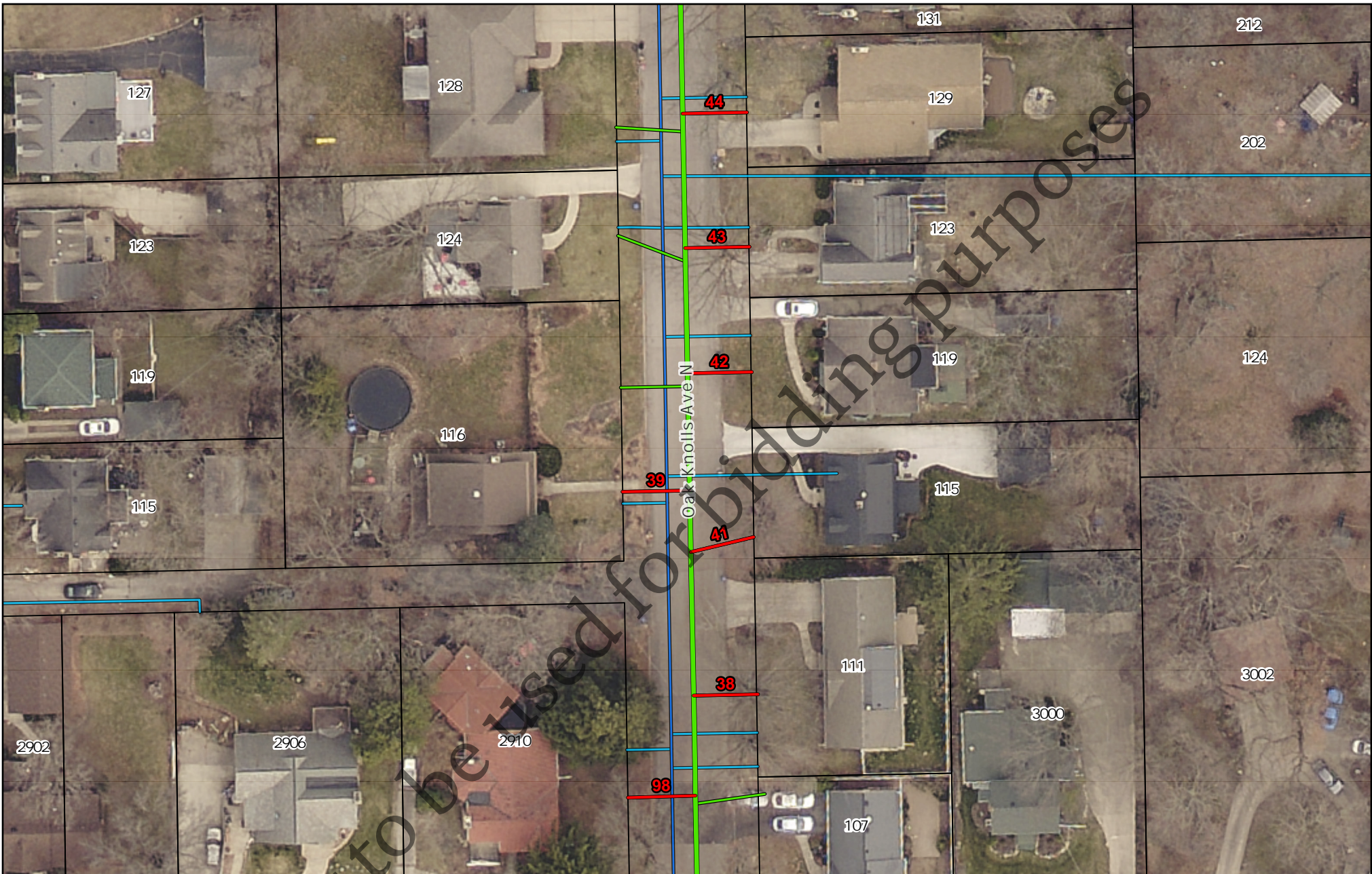


Service Cleanout Installations

Capital Project 2701

- Water Main
- Storm Sewer
- Sanitary Sewer
- Cleanout Installation
- Replace Service
- Reconnect at Main

Produced: 3/19/2026 1 inch = 50 ft

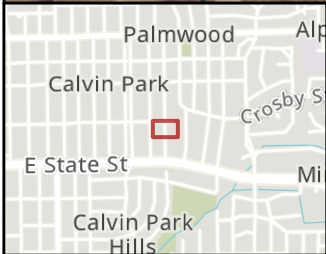
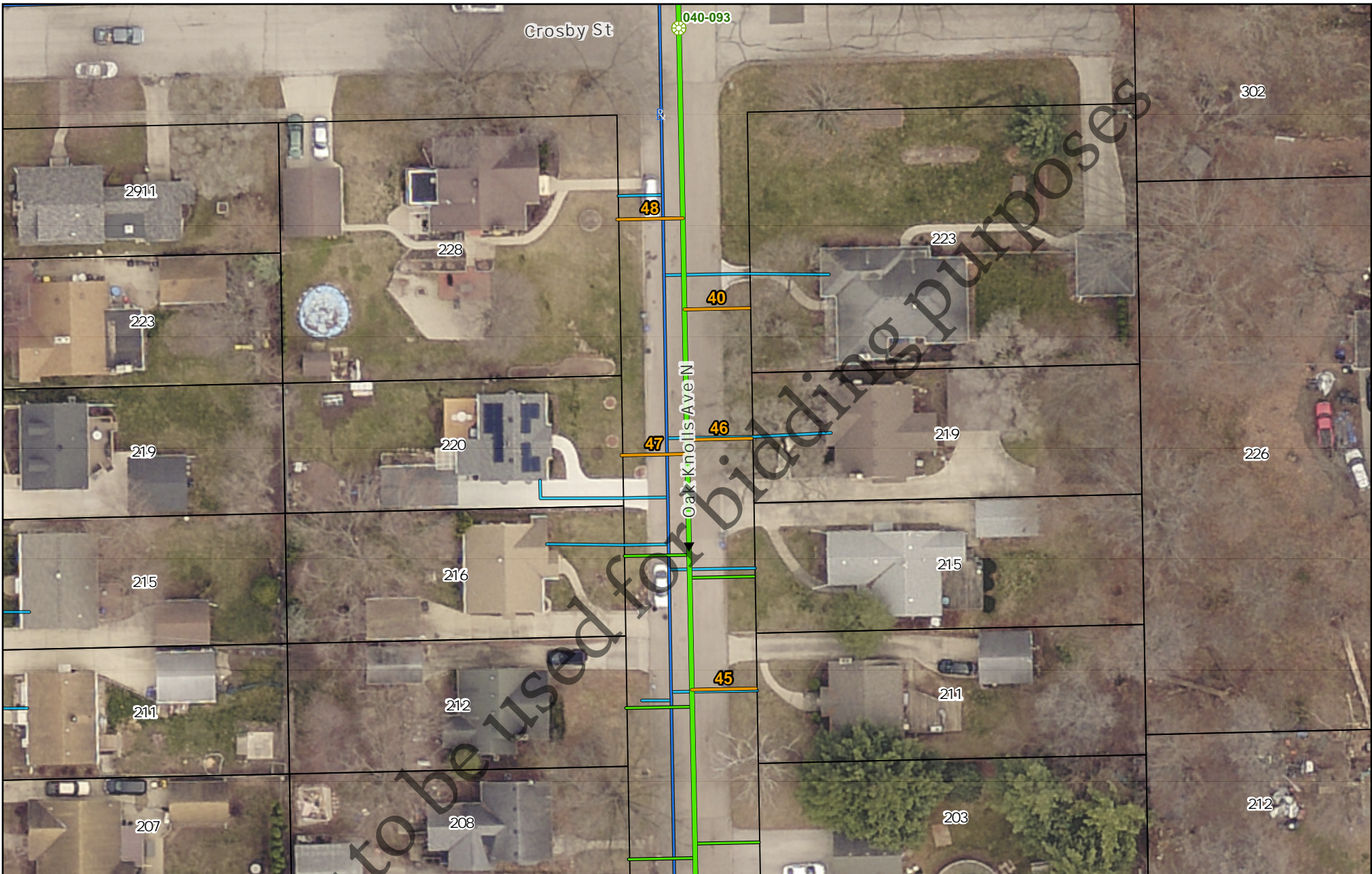


Service Cleanout Installations

Capital Project 2701

- Water Main
- Storm Sewer
- ▶ Sanitary Sewer
- Cleanout Installation
- Replace Service
- Reconnect at Main

Produced: 3/19/2026 1 inch = 50 ft

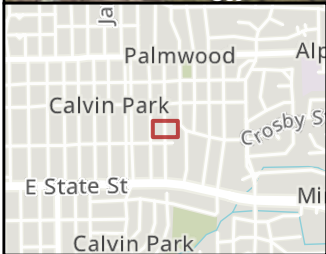
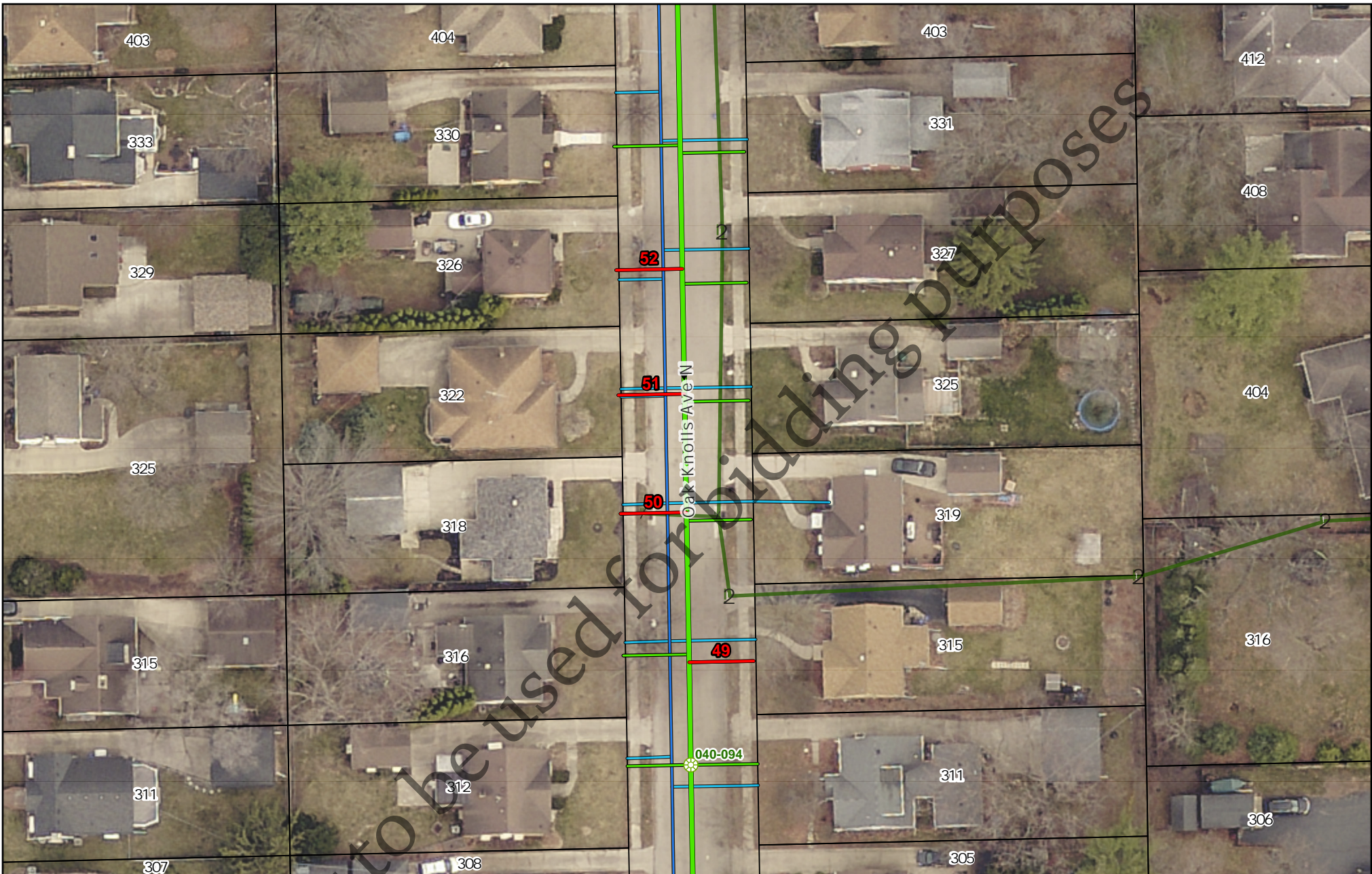


Service Cleanout Installations

Capital Project 2701

- Water Main
- Storm Sewer
- Sanitary Sewer
- Cleanout Installation
- Replace Service
- Reconnect at Main





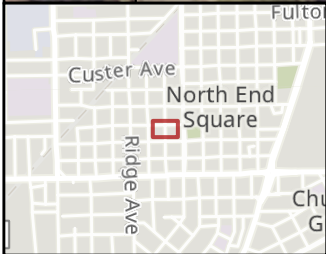
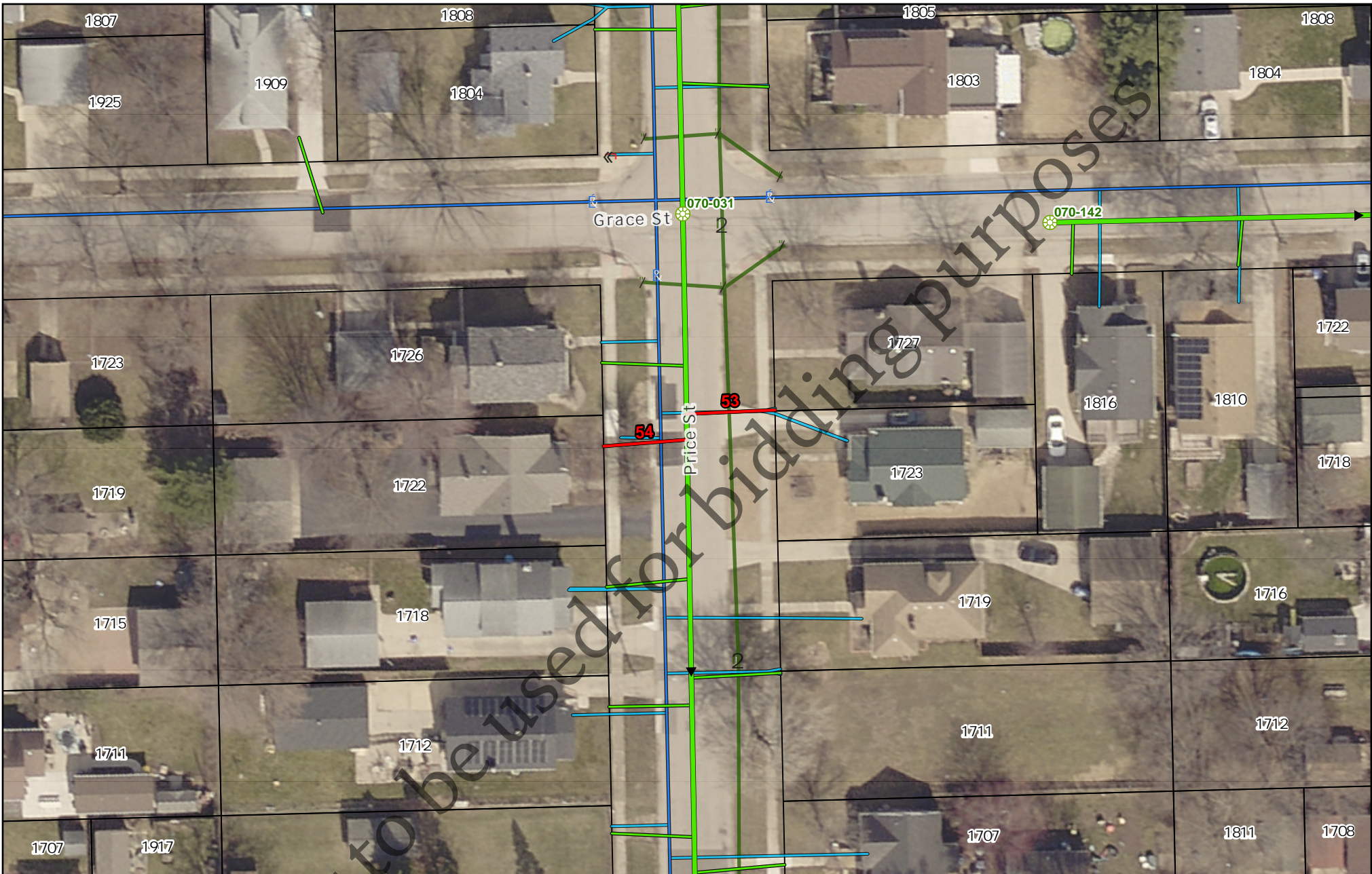
Service Cleanout Installations

Capital Project 2701

- Water Main
- Storm Sewer
- ▲ Sanitary Sewer
- Cleanout Installation
- Replace Service
- Reconnect at Main

11

Produced: 3/19/2026 1inch = 50ft

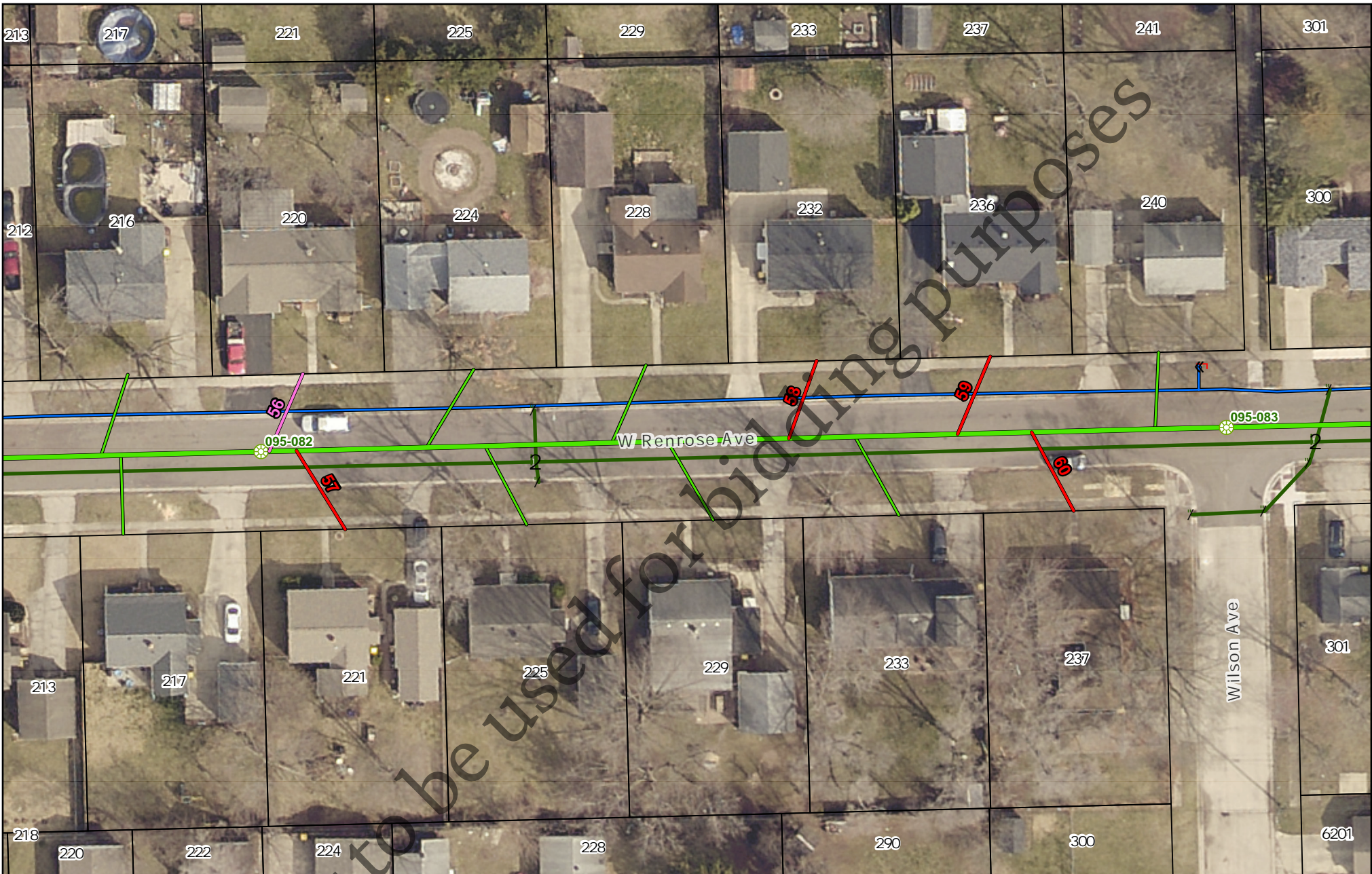


Service Cleanout Installations

Capital Project 2701

- Water Main
- Storm Sewer
- Sanitary Sewer
- Cleanout Installation
- Replace Service
- Reconnect at Main

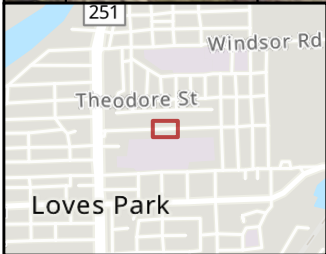
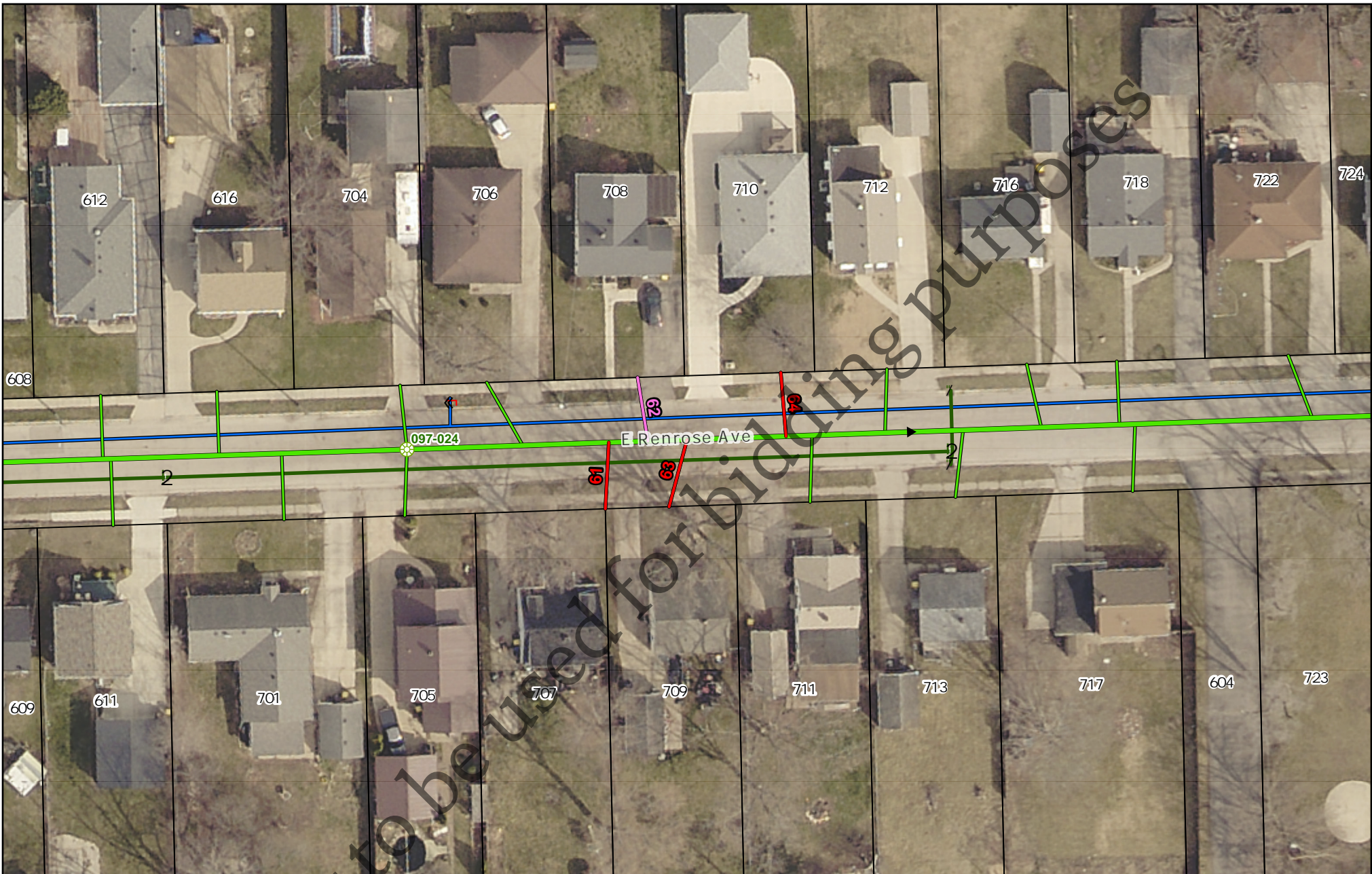




Service Cleanout Installations

Capital Project 2701

- Water Main
- Storm Sewer
- Sanitary Sewer
- Cleanout Installation
- Replace Service
- Reconnect at Main

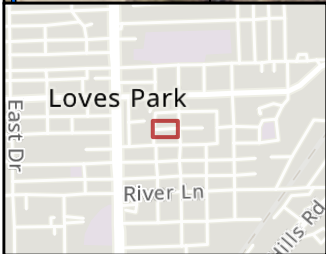
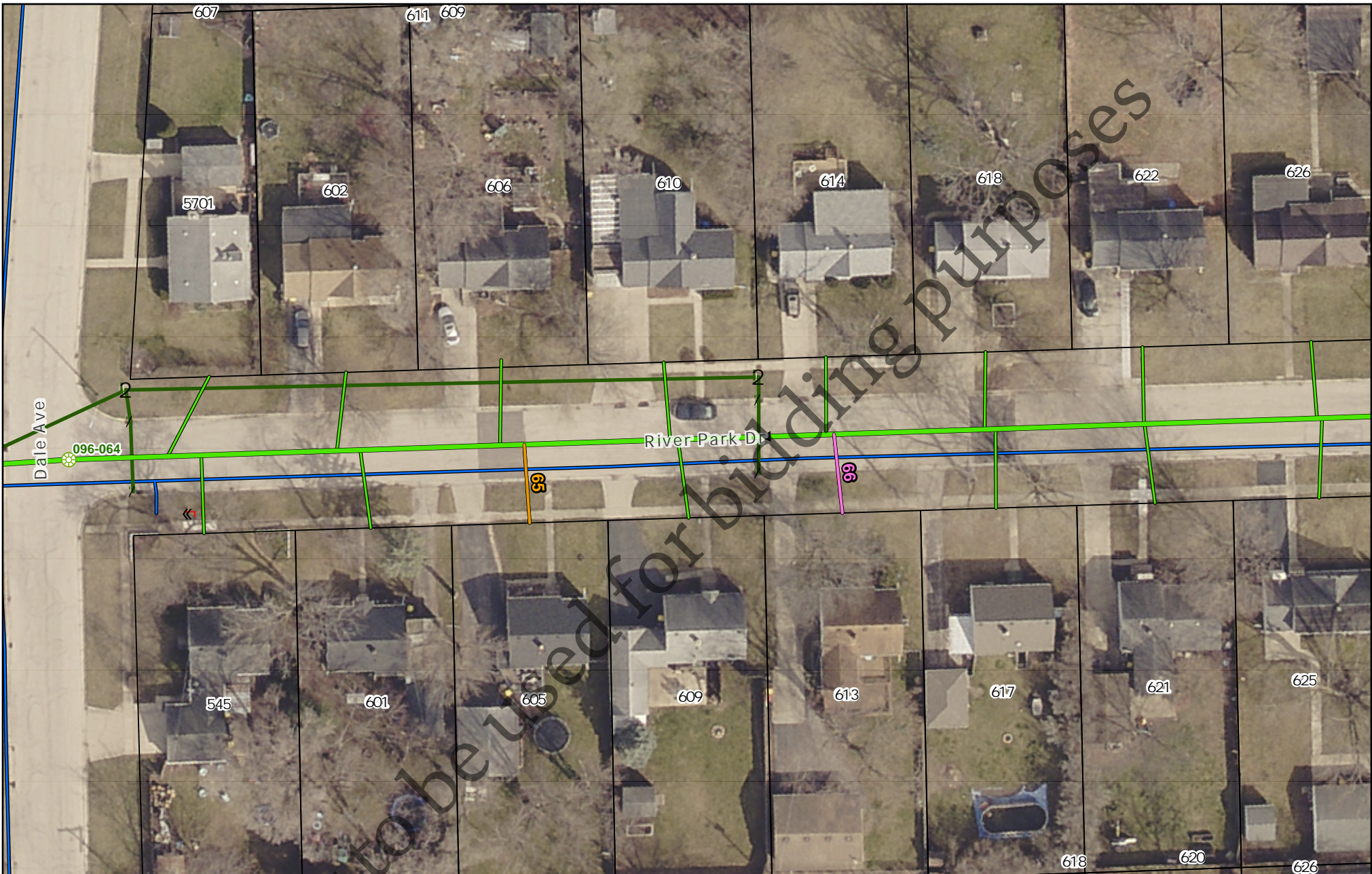


Service Cleanout Installations

Capital Project 2701

- Water Main
- Storm Sewer
- ▶ Sanitary Sewer
- Cleanout Installation
- Replace Service
- Reconnect at Main

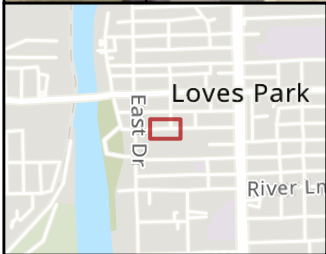
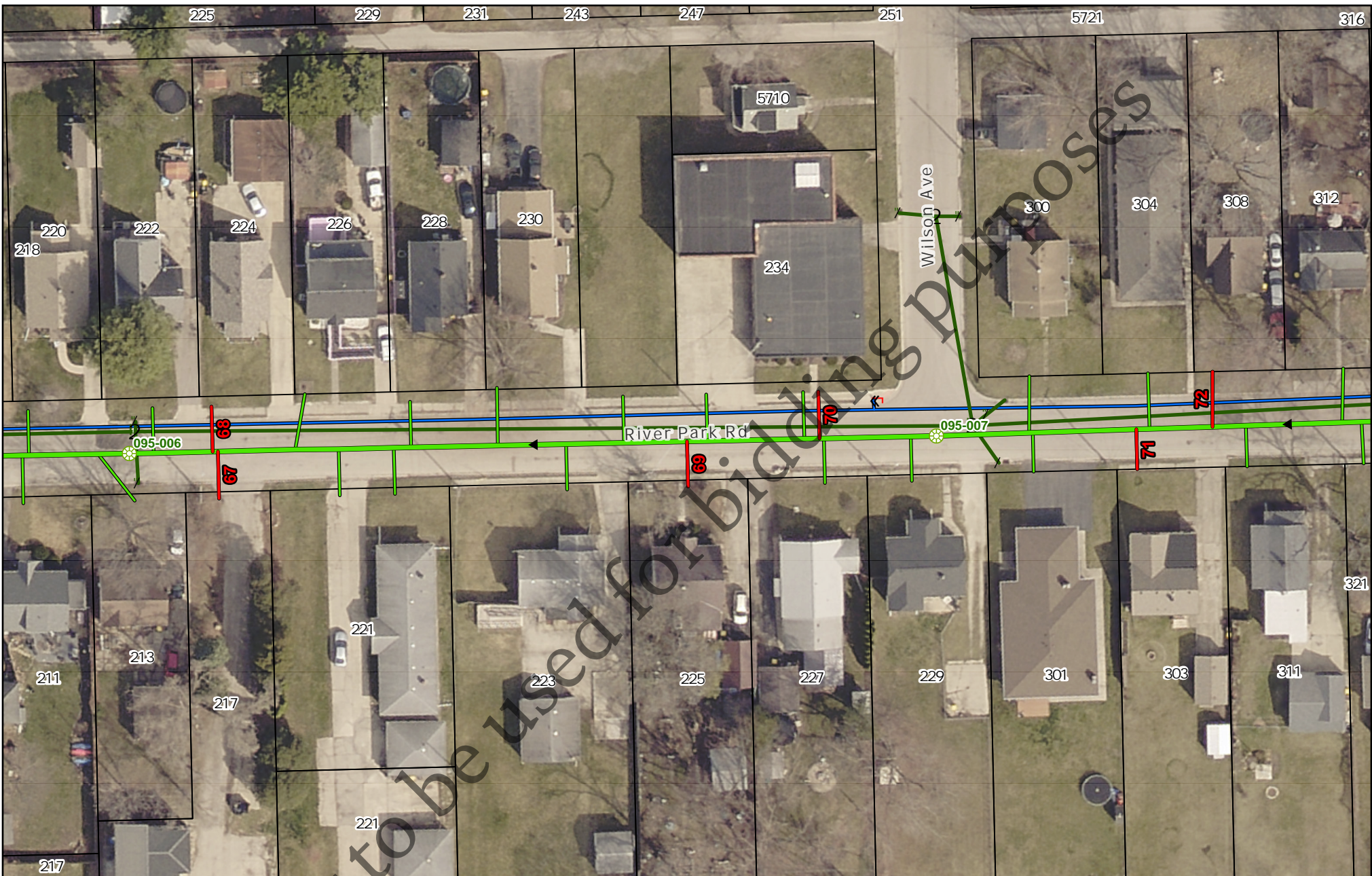
14. Produced: 3/19/2026 1 inch = 50 ft



Service Cleanout Installations

Capital Project 2701

- Water Main
 - Storm Sewer
 - Sanitary Sewer
 - Cleanout Installation
 - Replace Service
 - Reconnect at Main
- 15** Produced: 3/19/2026 1 inch = 50 ft



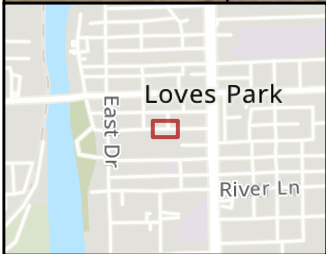
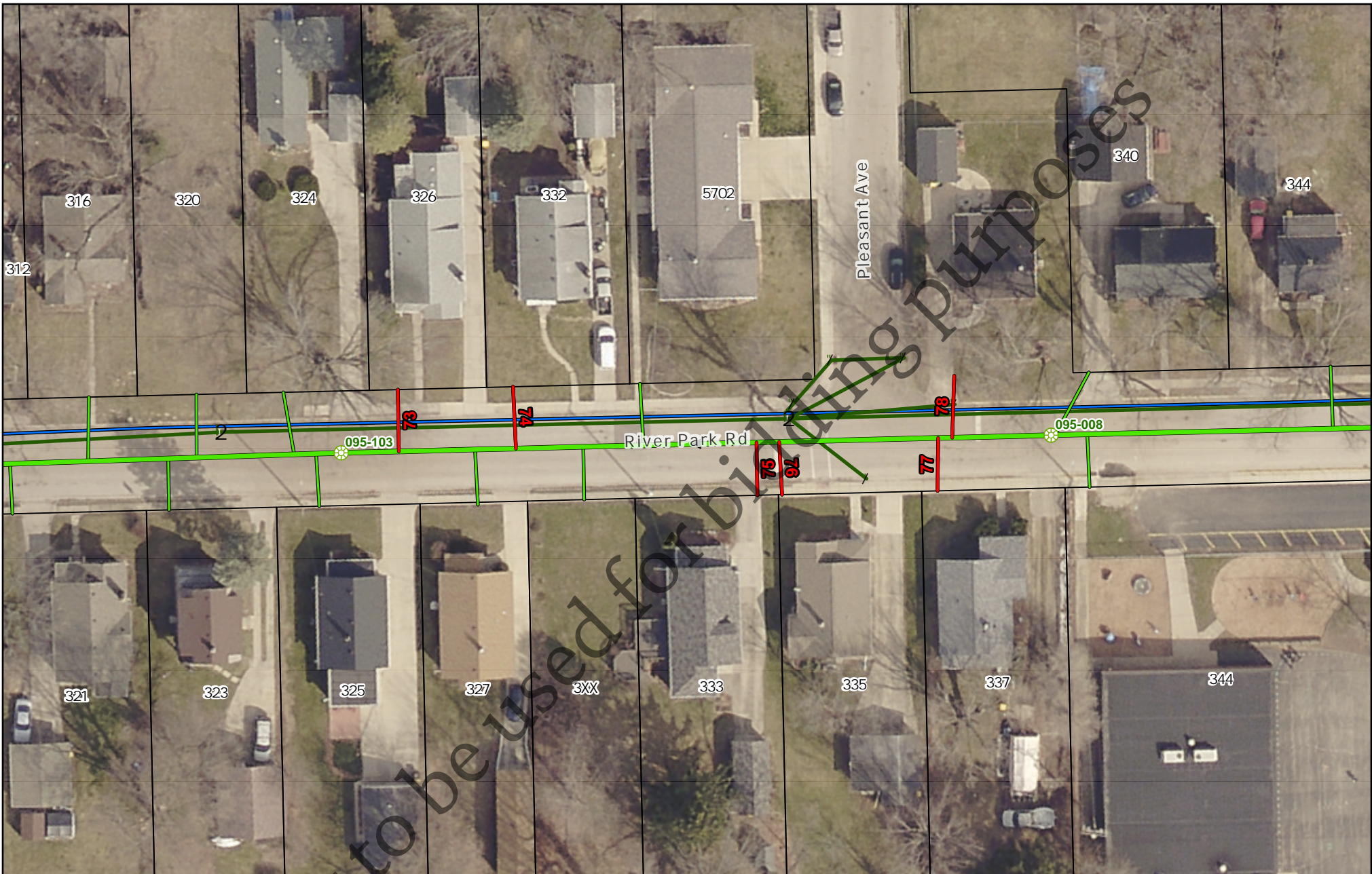
Service Cleanout Installations

Capital Project 2701

- Water Main
- Storm Sewer
- Sanitary Sewer
- Cleanout Installation
- Replace Service
- Reconnect at Main

16

Produced: 3/19/2026 1 inch = 60 ft

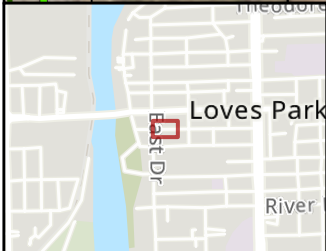
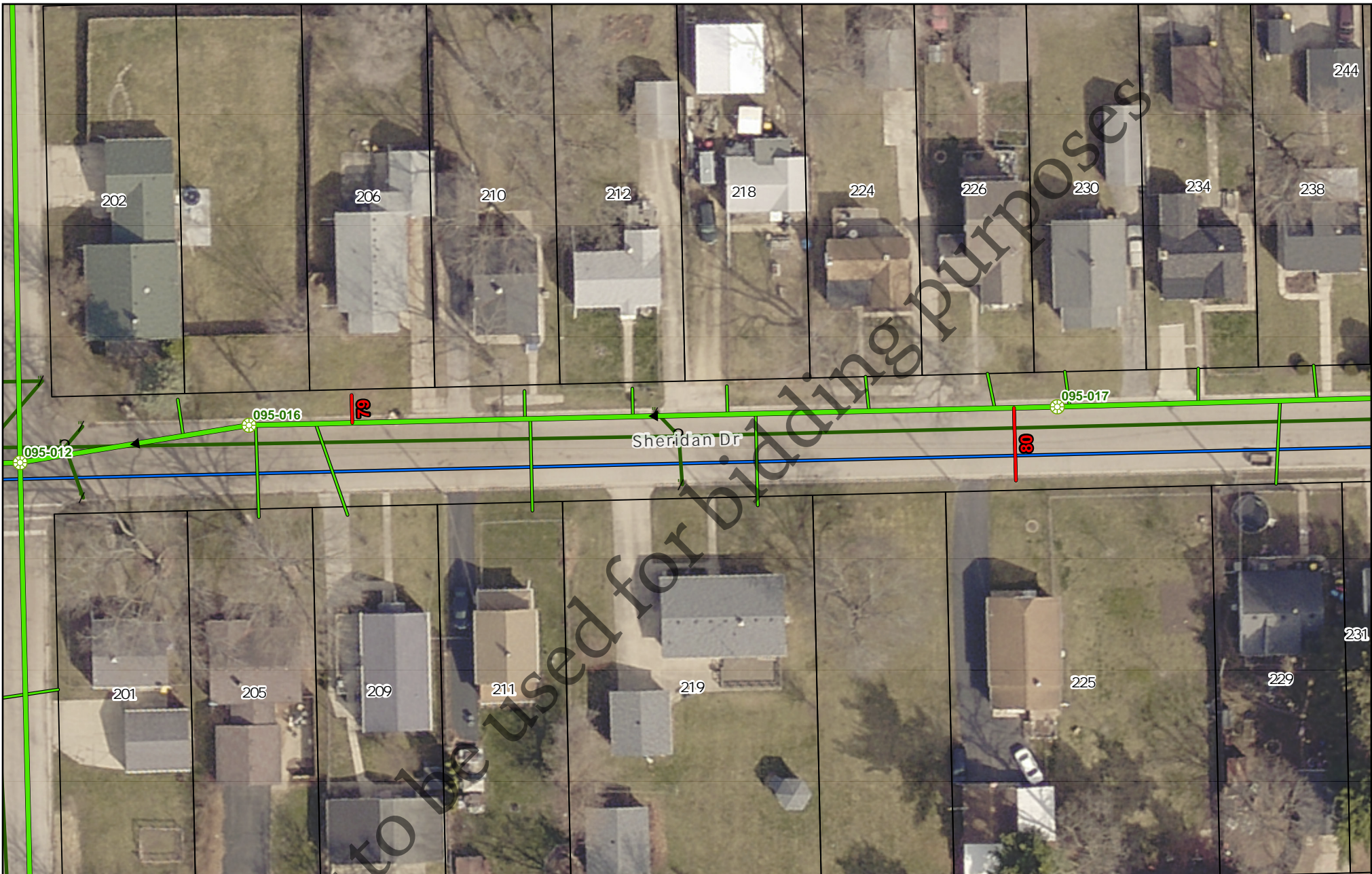


Service Cleanout Installations

Capital Project 2701

- Water Main
- Storm Sewer
- > Sanitary Sewer
- Cleanout Installation
- Replace Service
- Reconnect at Main

17
 Produced: 3/19/2026
 1 inch = 50 ft



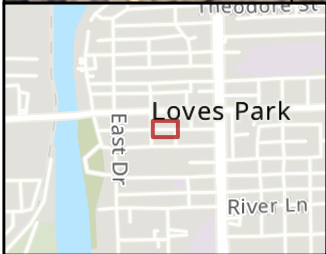
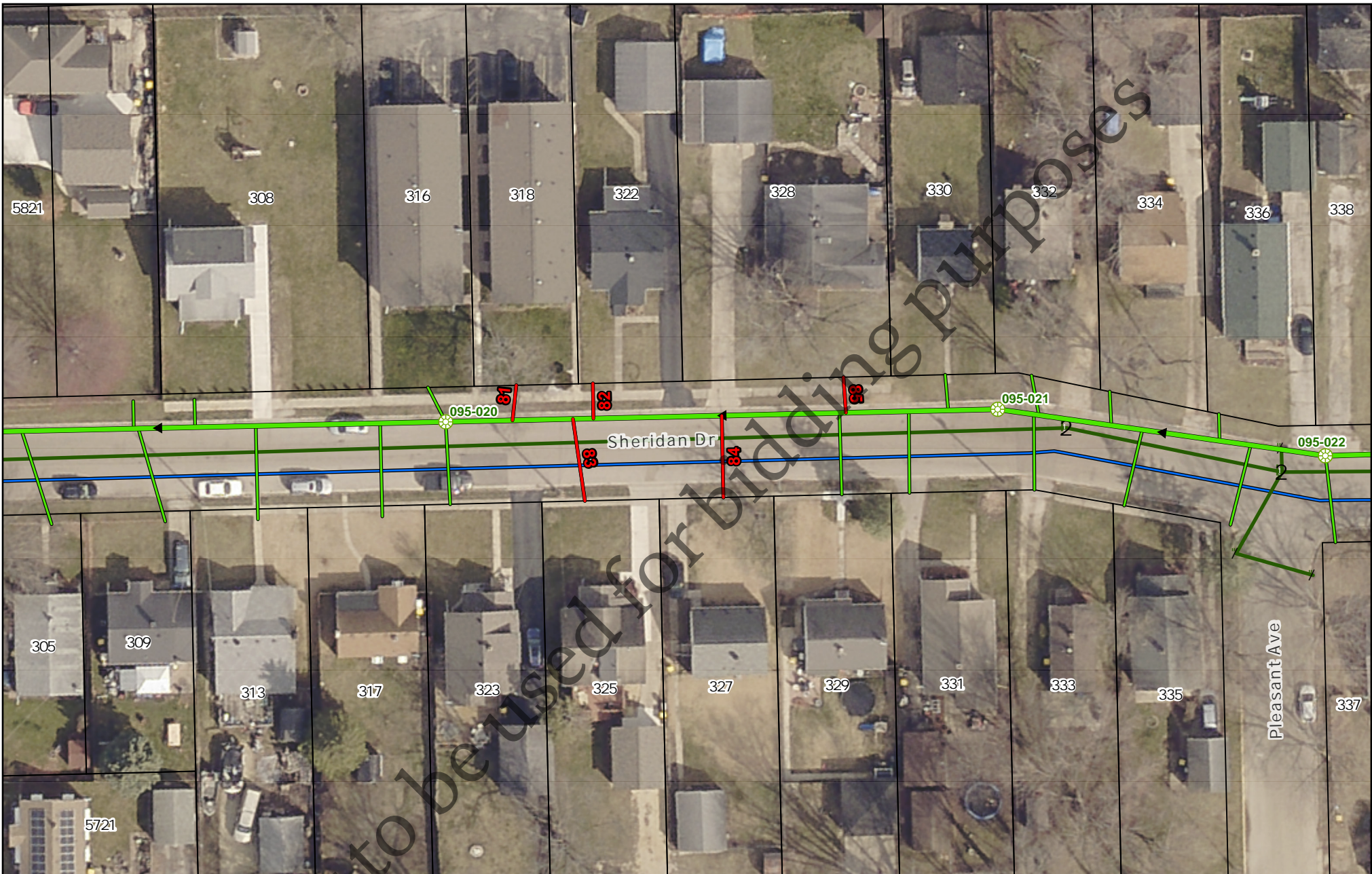
Service Cleanout Installations

Capital Project 2701

- Water Main
- Storm Sewer
- ➔ Sanitary Sewer
- Cleanout Installation
- Replace Service
- Reconnect at Main

18

Produced: 3/19/2026 1 inch = 50 ft

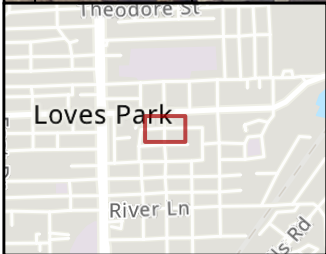


Service Cleanout Installations

Capital Project 2701

- Water Main
- Storm Sewer
- > Sanitary Sewer
- Cleanout Installation
- Replace Service
- Reconnect at Main

19
 Produced: 3/19/2026
 1 inch = 50 ft



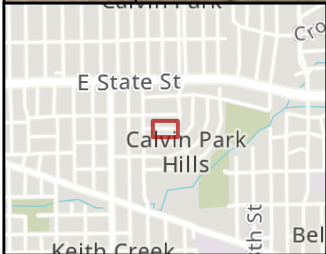
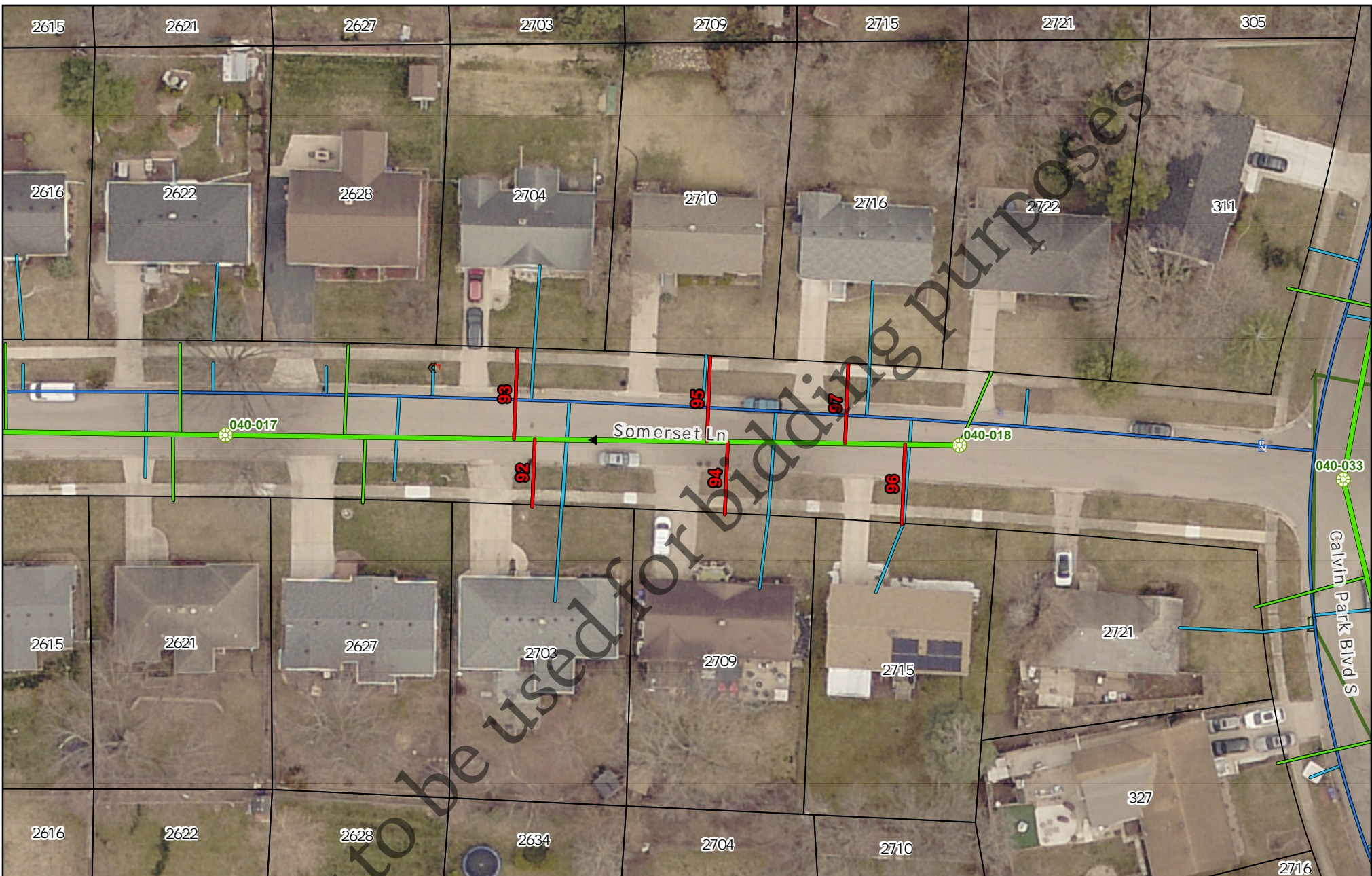
Service Cleanout Installations

Capital Project 2701

- Water Main
- Storm Sewer
- Sanitary Sewer
- Cleanout Installation
- Replace Service
- Reconnect at Main

20

Produced: 3/19/2026 1 inch = 80 ft

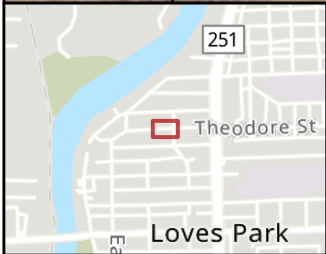
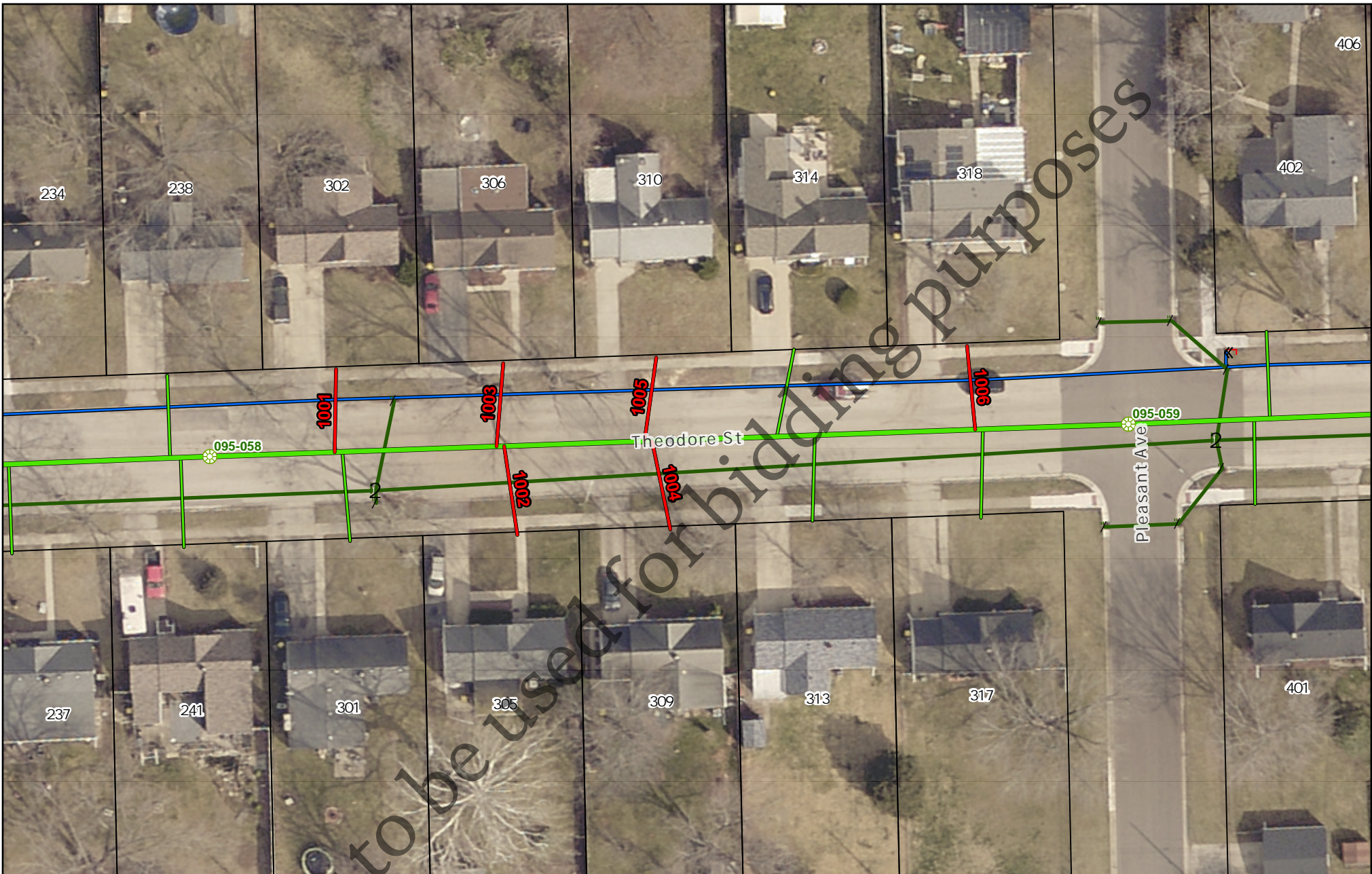


Service Cleanout Installations

Capital Project 2701







- Water Main
- Storm Sewer
- ➔ Sanitary Sewer
- Cleanout Installation
- Replace Service
- Reconnect at Main

21 Produced: 3/19/2026 1 inch = 50 ft

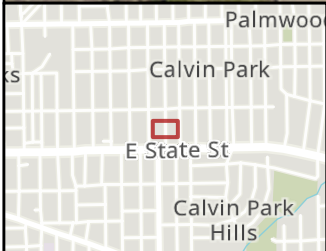
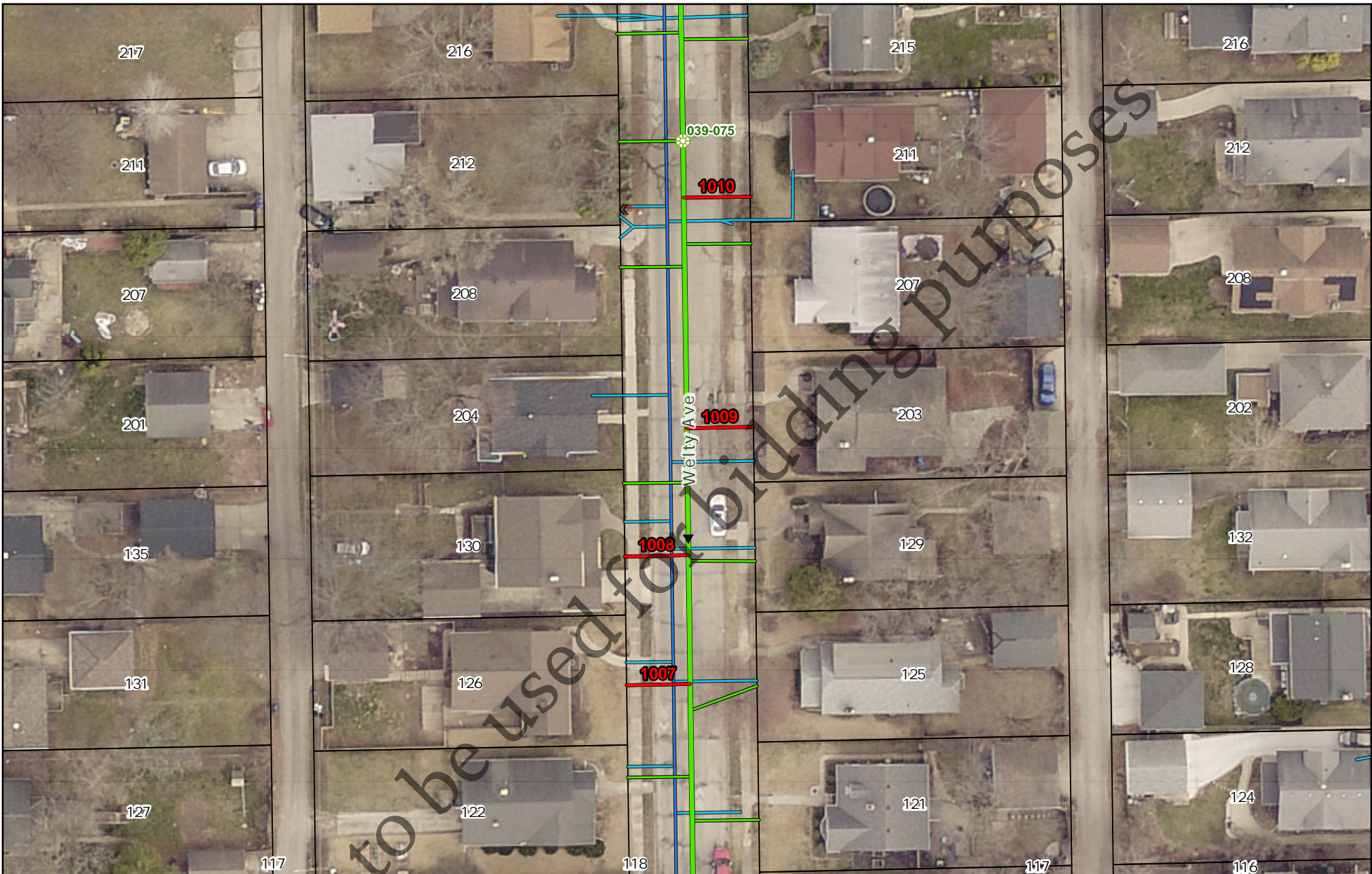


Service Cleanout Installations

Capital Project 2701

	Water Main
	Storm Sewer
	Sanitary Sewer
	Cleanout Installation
	Replace Service
	Reconnect at Main

22 Produced: 3/19/2026 1 inch = 50 ft



Service Cleanout Installations

Capital Project 2701

- Water Main
- Storm Sewer
- Sanitary Sewer
- Cleanout Installation
- Replace Service
- Reconnect at Main

23 Produced: 3/19/2026 1 inch = 50 ft

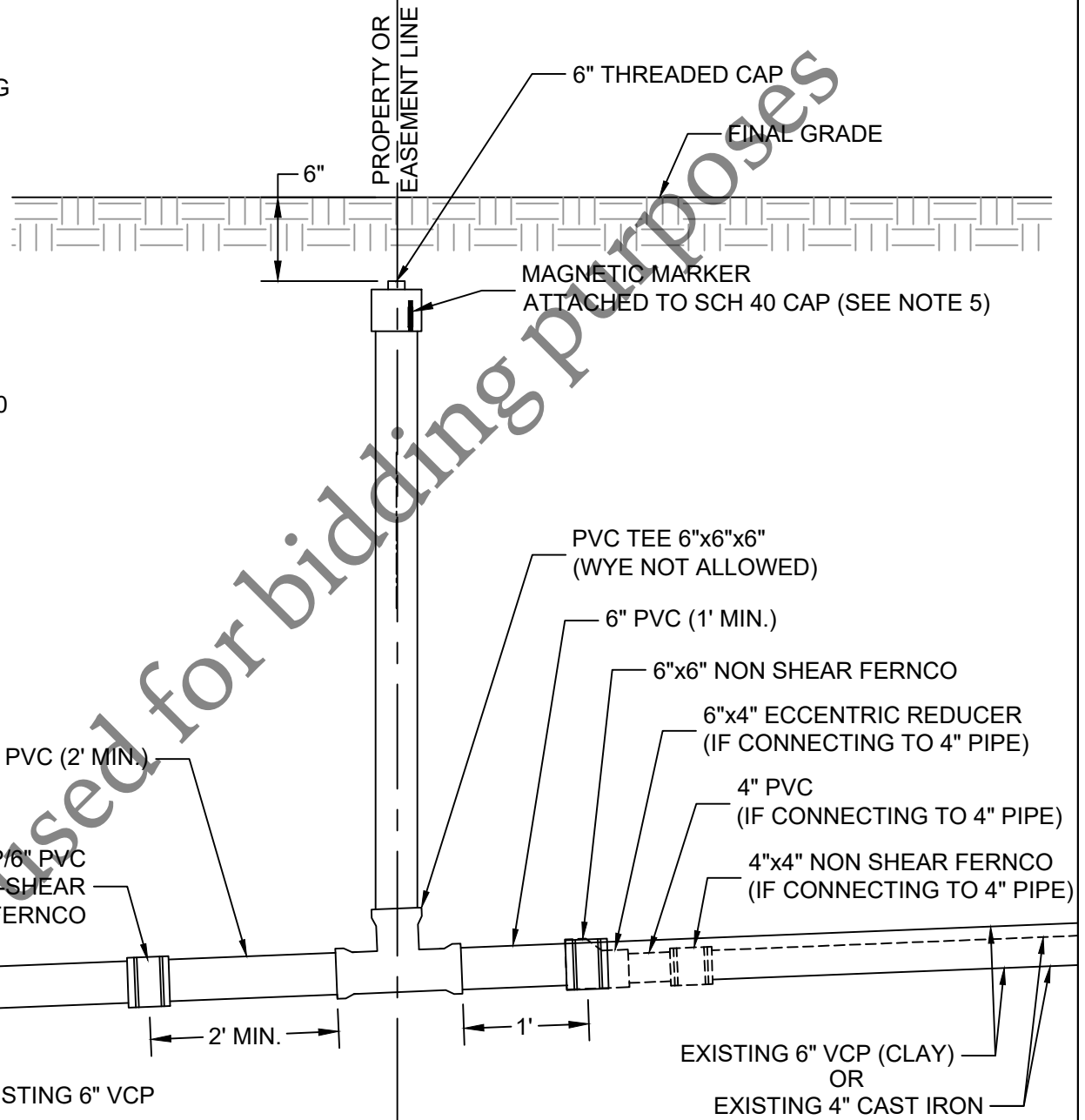
Section IV

Standard Details

Not to be used for bidding purposes

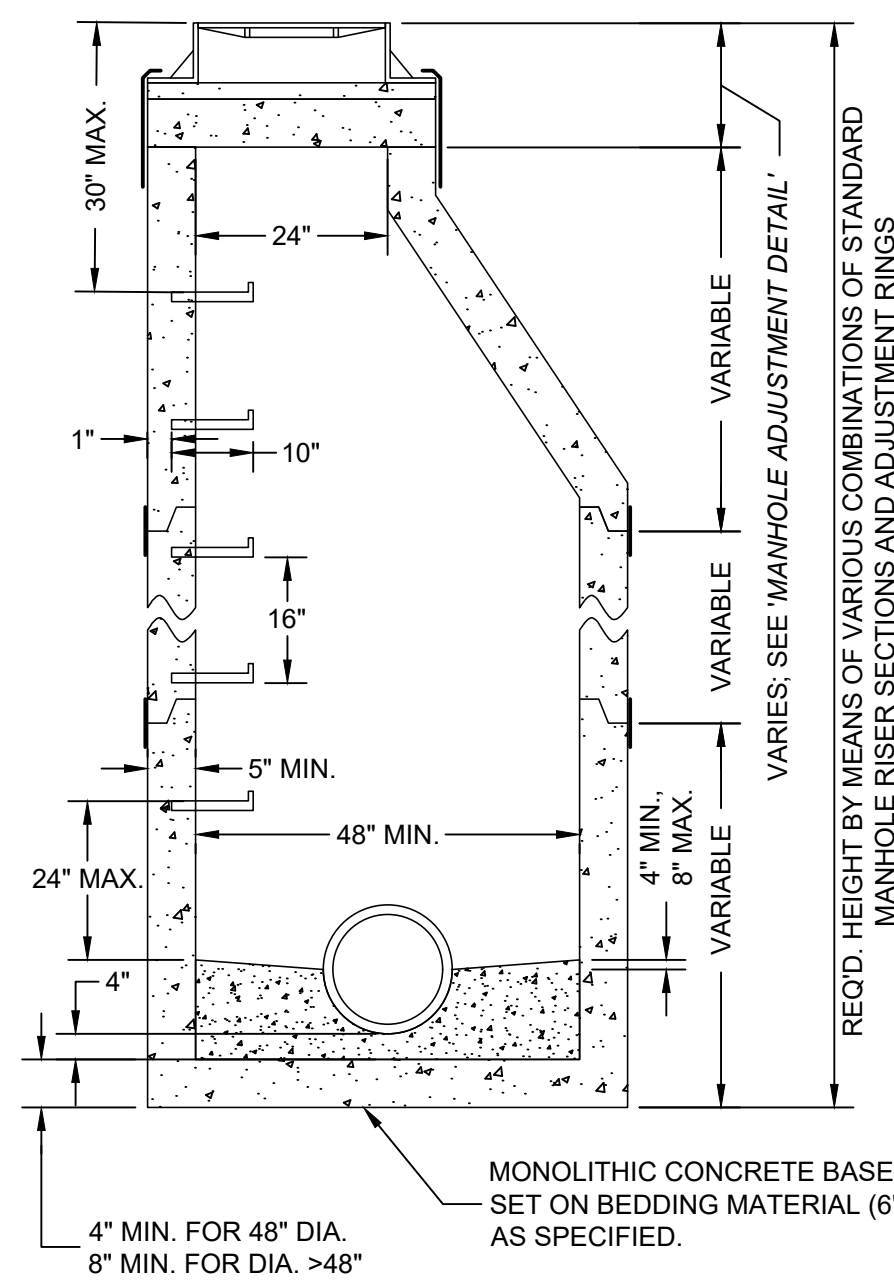
NOTES:

1. PIPE BEDDING FOR SANITARY SERVICE PIPING SHALL BE PER 'FLEXIBLE PIPE BEDDING DETAIL', 6" BELOW AND 12" ABOVE PIPING.
2. ALL SCH 40 PVC PIPE & FITTINGS SHALL BE PER ASTM D-1785/D-2665.
3. ALL SDR26 WMQ PVC PIPE & FITTINGS SHALL BE PER ASTM D-2241/D-3139.
4. ALL DWV FITTINGS SHALL BE CLEANED, PRIMED, & GLUED.
5. CLEANOUT CAP SHALL BE SCH 40 DWV SCH 40 GLUED SCREW CAP AND SHALL HAVE A MAGNETIC MARKER ATTACHED. MARKER SHALL BE DEEP-1 AS MANUFACTURED BY BERNSTEN INTERNATIONAL OR FRSA APPROVED EQUAL.
6. IN TURF AREAS, CLEAN-OUT CAP SHALL BE 6" BELOW FINAL GRADE.
7. IN PAVED AREAS, CLEAN-OUT CAP SHALL BE JUST BELOW FINAL GRADE AND SHALL INCLUDE A CLEAN-OUT FRAME & LID PER FRSA 'SERVICE CLEANOUT CASTING DETAIL'.



CLEANOUT INSTALLATION ON EXISTING SERVICE DETAIL

- NOTES:**
1. THE MAX. DROP FROM THE INVERT OF ANY PIPE TO THE CONCRETE CHANNEL UNDER THAT PIPE SHALL BE 8".
 2. MANHOLES LOCATED OUTSIDE OF PUBLIC RIGHT-OF-WAY SHALL BE MARKED WITH A STEEL FENCE POST AS DIRECTED.
 3. ALL NEW MANHOLES SHALL BE VACUUM TESTED PER A.S.T.M. C-1244 PRIOR TO ACCEPTANCE.
 4. ALL BARREL JOINTS SHALL BE SEALED WITH 3 1/2" x 3/8" PRE-FORMED RUBBER BUTYL JOINT SEALANT ON THE LOWER SHIPLAP.
 5. ALL BARREL JOINTS SHALL BE SEALED WITH AN EXTERNAL BARREL SEAL CENTERED ON THE JOINT (MAR MAC MACWRAP, OR APPROVED EQUAL).
 6. MANHOLE STRUCTURE SHALL BE CONSTRUCTED OF PRECAST REINFORCED CONCRETE MANHOLE RISER SECTIONS IN ACCORDANCE WITH A.S.T.M. C478-90 OR THE LATEST DESIGNATION.
 7. PRECAST FLAT TOPS ARE NOT APPROVED FOR USE.
 8. SEE 'MANHOLE ADJUSTMENT DETAIL' FOR ADJUSTMENT REQUIREMENTS.
 9. PIPE CONNECTIONS TO NEW MANHOLES SHALL BE MADE BY MEANS OF EITHER RUBBER GASKET SEAL (A-LOK OR APPROVED EQUAL) CONFORMING TO ASTM C-923 CAST INTEGRALLY IN MANHOLE WALL, OR RUBBER GASKET SEAL AND STAINLESS STEEL CLAMP (PSX SERIES SIX OR APPROVED EQUAL) CONFORMING TO ASTM C-923. FOR PIPE CONNECTIONS WITH A DEPTH OF >20 FT., A RUBBER GASKET SEAL (A-LOK OR APPROVED EQUAL) CONFORMING TO ASTM C-923 CAST INTEGRALLY IN MANHOLE WALL SHALL BE USED.
 10. PIPE CONNECTIONS TO EXISTING MANHOLES SHALL BE MADE BY MEANS OF CORE DRILLING MANHOLE WALL AND INSTALLING RUBBER GASKET SEAL AND STAINLESS STEEL CLAMP (PSX SERIES SIX OR APPROVED EQUAL) CONFORMING TO ASTM C-923.
 11. THE MAXIMUM DISTANCE FROM ANY INLET PIPE INVERT TO THE OUTLET PIPE INVERT SHALL BE 2'. DISTANCES GREATER THAN 2' WILL REQUIRE AN INSIDE DROP CONNECTION PER 'INSIDE DROP CONNECTION DETAIL'.
 12. MANHOLE STEPS SHALL BE NEENAH R-1982-F OR M.A. IND. PS-1 OR APPROVED EQUAL INSTALLED AT 16" CENTERS, ORIENTED ABOVE THE OUTLET PIPE UNLESS OTHERWISE SPECIFIED. FOR MANHOLES WITH INSIDE DROP ASSEMBLIES, STEPS IN THE MANHOLE BASE SECTION SHALL BE INSTALLED IN THE FIELD AND NOT CAST IN PLACE. IN THIS CASE, THE ORIENTATION OF THE CONE SHALL BE AS DIRECTED BY FRSA.

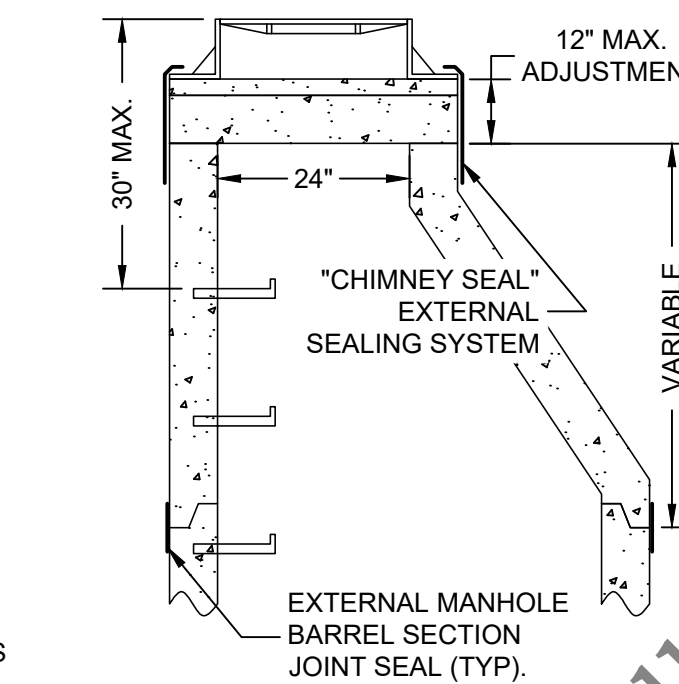


STANDARD MANHOLE DETAIL
(*MANHOLE ADJUSTMENT DETAIL* SHALL APPLY)

- NOTES:**
1. MANHOLE FRAMES & LIDS SHALL BE PER THE TABLE BELOW.
 2. FOR MANHOLES CONNECTED TO MAINS 18" DIAMETER OR LARGER, OR FOR MANHOLES LOCATED IN FLOOD PRONE AREAS, FRAMES & LIDS SHALL BE THE BOLT DOWN TYPE.
 3. ALLOWABLE TYPES OF ADJUSTING RINGS INCLUDE PRECAST CONCRETE (4" HEIGHT MIN.), & EXPANDED POLYPROPYLENE (EPP). THESE CAN BE USED IN CONJUNCTION WITH EACH OTHER, EXCEPT THAT A PRECAST RING SHALL NOT BE PLACED OVER AN EPP RING.
 4. FOR PRECAST ADJUSTING RINGS, ALL ADJUSTING RING JOINTS AS WELL AS THE FRAME TO ADJUSTING RING JOINT SHALL BE SEALED WITH TWO 1" BEADS OF PRE-FORMED RUBBER BUTYL JOINT SEALANT. WHEN A FRAME REQUIRES PITCHING, EPP TAPER RINGS SHALL BE USED PER NOTE 5.
 5. FOR EPP ADJUSTING RINGS, RINGS SHALL BE INSTALLED ACCORDING TO MANUFACTURER'S INSTRUCTIONS. WHEN A FRAME REQUIRES PITCHING, THE TOP RING SHALL BE A TAPERED ADJUSTING RING PER MANUFACTURER'S INSTRUCTIONS.
 6. NO TARRING OR GROUTING IS ALLOWED ON THE INSIDE OF MANHOLE OR ADJUSTMENT JOINTS.
 7. MAXIMUM MANHOLE ADJUSTMENT IS 12". MINIMUM ADJUSTMENT IS 4" UNLESS OFF-ROAD OR IN CURB & GUTTER ROADWAY.
 8. MANHOLE FRAMES SHALL BE SET 1/4" MIN. TO 3/8" MAX. BELOW PAVED SURFACES, AND AT FINAL GRADE IN TURF AREAS.
 9. WHEN ADJUSTING EXISTING MANHOLES, THE ENTIRE EXISTING ADJUSTMENT SHALL BE REMOVED AND REPLACED.
 10. THE COMBINATION OF NEW ADJUSTING RINGS

APPROVED FRAME & LID TABLE

TYPE	NEENAH FRAME	NEENAH LID	EAST JORDAN FRAME	EAST JORDAN LID
REGULAR	1670-2004	R-1670-0358	00111711	00111732
LOW PROFILE	1670-2008	R-1670-0358	---	---
BOLT DOWN	1915JT08	---	---	---



MANHOLE ADJUSTMENT DETAIL
(FOR ADJUSTMENT OF BOTH NEW & EXISTING MANHOLES)

- SHALL BE SUCH THAT THE MINIMUM NUMBER OF RINGS POSSIBLE ARE USED.
11. FLAT-TOPS ARE NOT PERMITTED ON 4' OR 5' DIA. MANHOLES.
 12. REPLACEMENT OF EXISTING BARREL SECTIONS MAY BE REQUIRED TO MEET THE ABOVE REQUIREMENTS.
 13. MANHOLE ADJUSTMENT INSERT RISER RINGS ARE NOT APPROVED FOR USE.

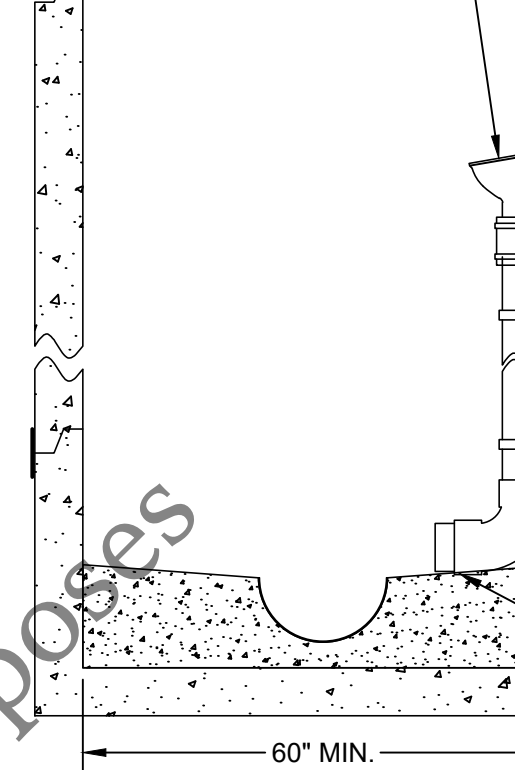
DROP BOWL & DROP PIPE SIZING TABLE

INLET PIPE DIA.	DROP PIPE DIA. (MIN.)
4-6 INCH	4 INCH
8 INCH	6 INCH
10 INCH	8 INCH
>10 INCH	*

* PER MFG. OR AS DIRECTED BY FRSA

SEE 'STANDARD MANHOLE DETAIL' FOR MANHOLE REQUIREMENTS

RELINER INSIDE DROP ROUND BACK BOWL SECURED WITH 4 STAINLESS STEEL BOLTS (OR APPROVED EQUAL)

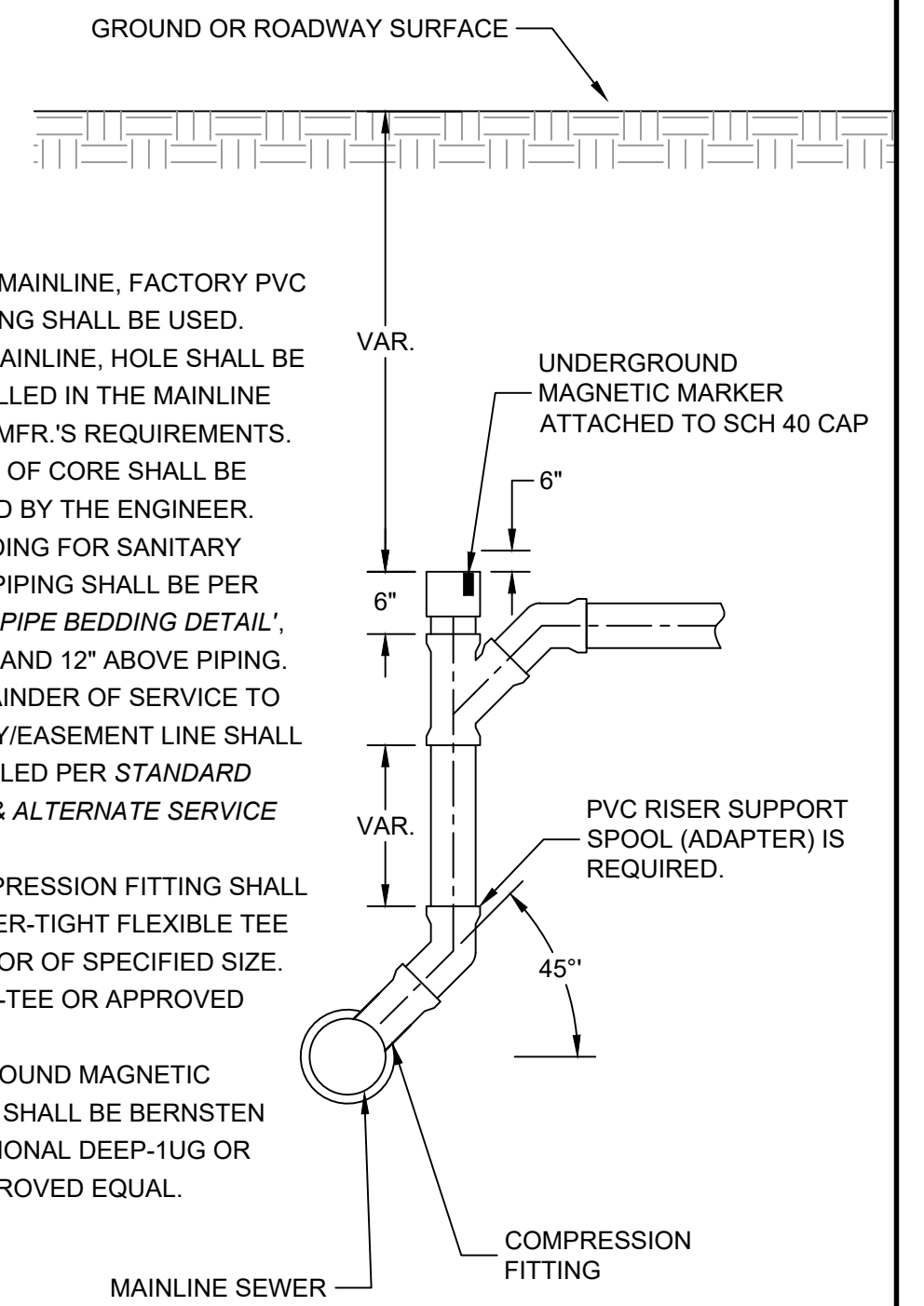


INSIDE DROP CONNECTION DETAIL
(*STANDARD MANHOLE DETAIL* SHALL APPLY)

- NOTES:**
1. INSIDE DROP TYPE MANHOLES SHALL BE 5' MIN. INSIDE DIA.
 2. ALL INSIDE DROP CONNECTIONS FOR SERVICES AND COLLECTOR SEWERS SHALL USE THE DROP AS MFG. BY RELINER-DURAN INC., OR EQUAL.
 3. SEE TABLE FOR DROP BOWL AND DROP PIPE SIZES.
 4. ALL INSIDE DROP PIPING SHALL BE PVC SDR35 ASTM-D3034.
 5. ATTACH THE ROUND BACK DROP BOWL AND EACH CLAMPING BRACKET TO THE MANHOLE WALL WITH 3/8" x 1" MIN. STAINLESS STEEL BOLTS AND EPOXY IMPREGNATED LUGS PER MFR.'S RECOMMENDATIONS.
 6. THE DROP BOWL SHALL BE PLACED AT A HEIGHT SO THAT THE FLOW LINE OF THE BOWL IS 2 INCHES BELOW THE INVERT OF THE INCOMING PIPE.
 7. CUT A 1" DEEP BY 3" WIDE "V" NOTCH IN INVERT OF INLET PIPE.
 8. CUT THE TOP HALF OF THE INLET PIPE FLUSH WITH THE INSIDE OF THE MANHOLE WALL.
 9. ALTERNATE INSIDE DROP SYSTEMS MAY BE CONSIDERED FOR APPROVAL.

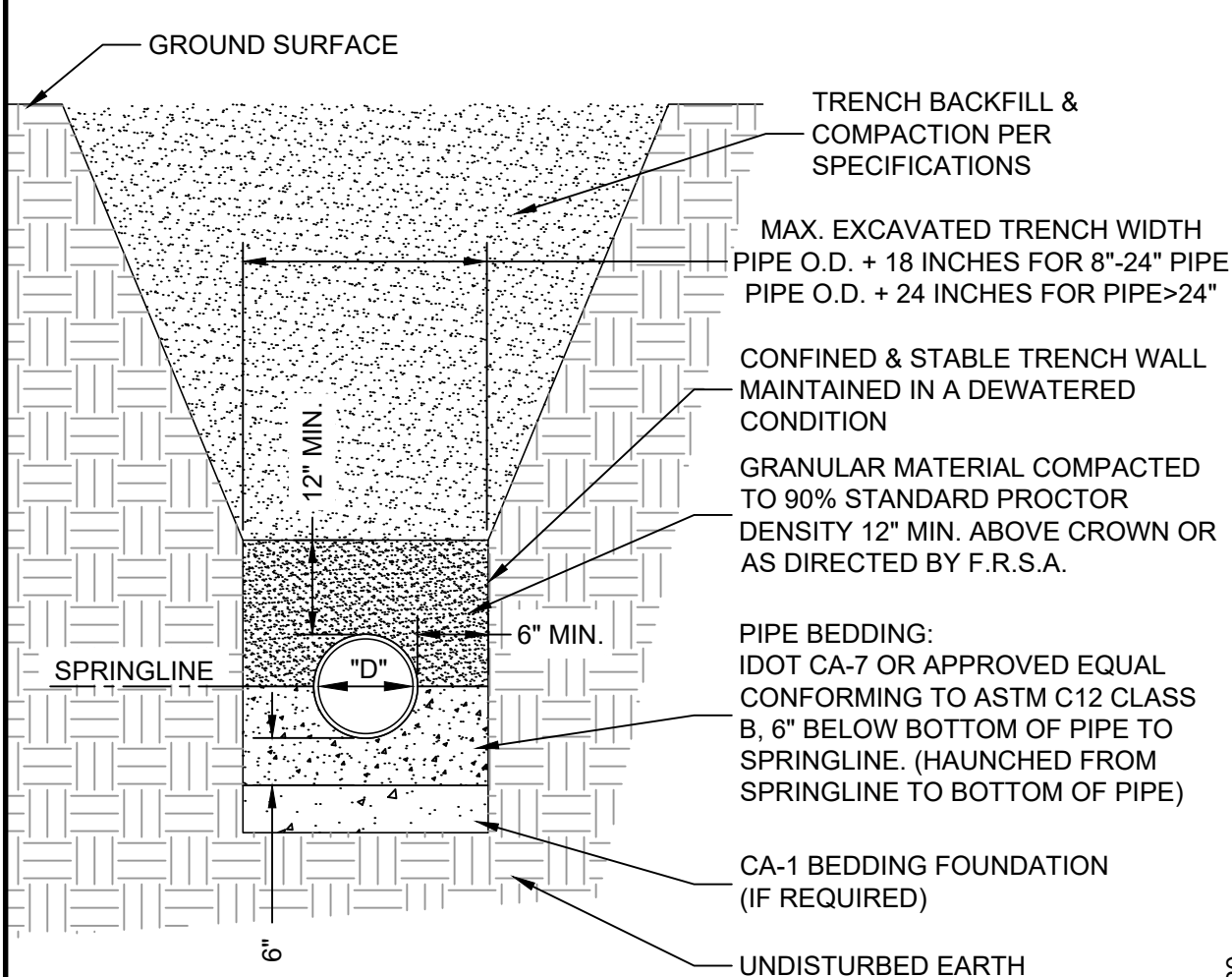
NOTES:

1. FOR NEW MAINLINE, FACTORY PVC WYE FITTING SHALL BE USED.
2. FOR EX. MAINLINE, HOLE SHALL BE CORE DRILLED IN THE MAINLINE PIPE PER MFR.'S REQUIREMENTS. LOCATION OF CORE SHALL BE APPROVED BY THE ENGINEER.
3. PIPE BEDDING FOR SANITARY SERVICE PIPING SHALL BE PER 'FLEXIBLE PIPE BEDDING DETAIL', 6" BELOW AND 12" ABOVE PIPING.
4. THE REMAINDER OF SERVICE TO PROPERTY/EASEMENT LINE SHALL BE INSTALLED PER 'STANDARD SERVICE & ALTERNATE SERVICE DETAIL'.
5. THE COMPRESSION FITTING SHALL BE A WATER-TIGHT FLEXIBLE TEE CONNECTOR OF SPECIFIED SIZE. (INSERT-A-TEE OR APPROVED EQUAL).
6. UNDERGROUND MAGNETIC MARKERS SHALL BE BERNSTEN INTERNATIONAL DEEP-1UG OR FRSA APPROVED EQUAL.



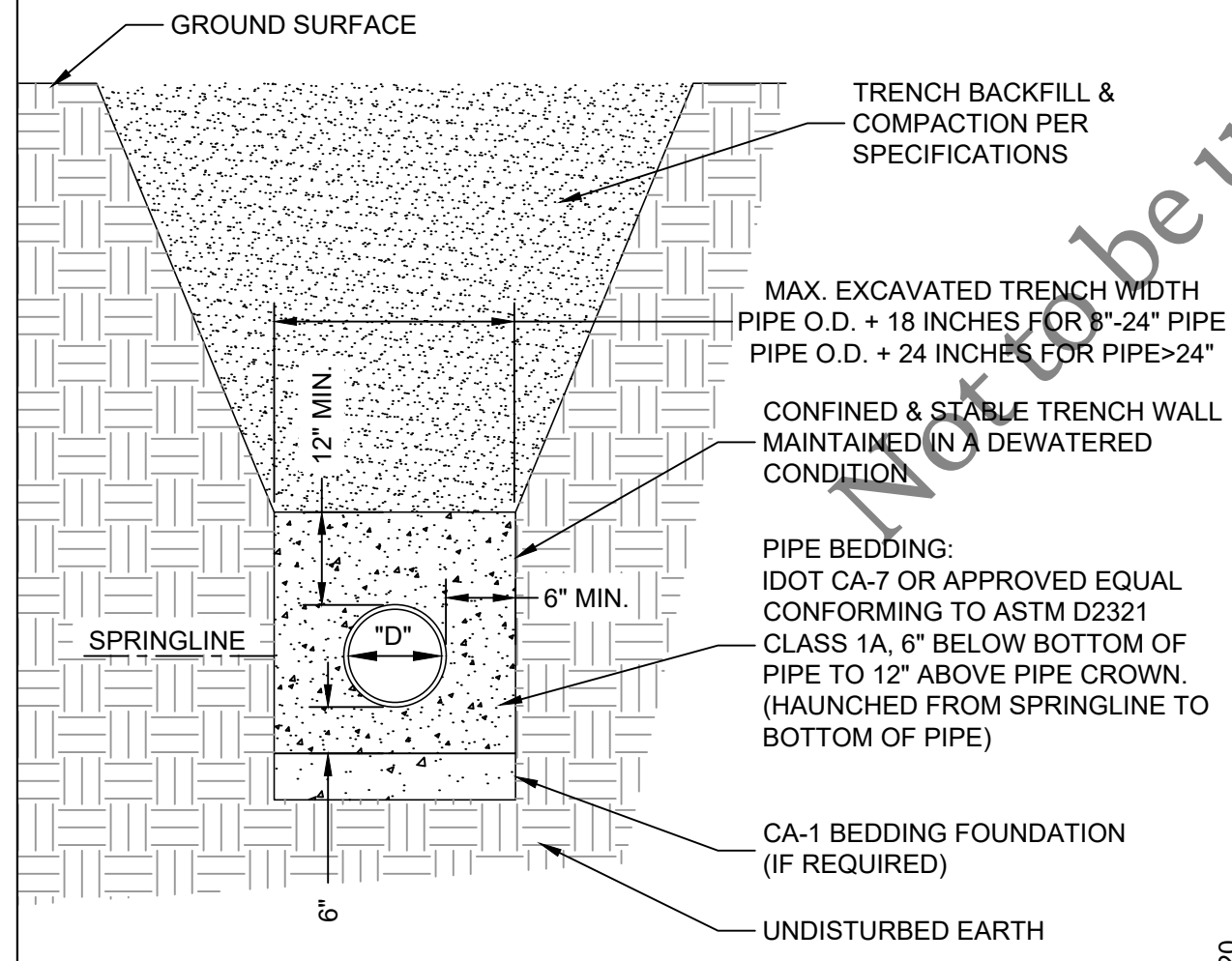
VERTICAL SERVICE RISER DETAIL
(FOR MAINLINE DIA. 8" - 18"; CONNECTION TO >18" MAIN PROHIBITED)

- NOTES:**
1. REASONABLE CARE SHALL BE USED WHEN BACKFILLING OVER SEWER. NO MATERIALS SUCH AS ROCKS OR BOULDERS SHALL BE PLACED WITHIN 24" OF THE CROWN OF THE PIPE. NO MATERIAL LARGER THAN 8" DIA. SHALL BE USED IN THE BACKFILL.
 2. LOOSE MATERIAL SHALL BE REMOVED OR COMPACTED PRIOR TO PLACING PIPE BEDDING.
 3. BEDDING SHALL BE WELL HAUNCHED ALONG PIPE TO ENSURE VOIDS ARE ELIMINATED.

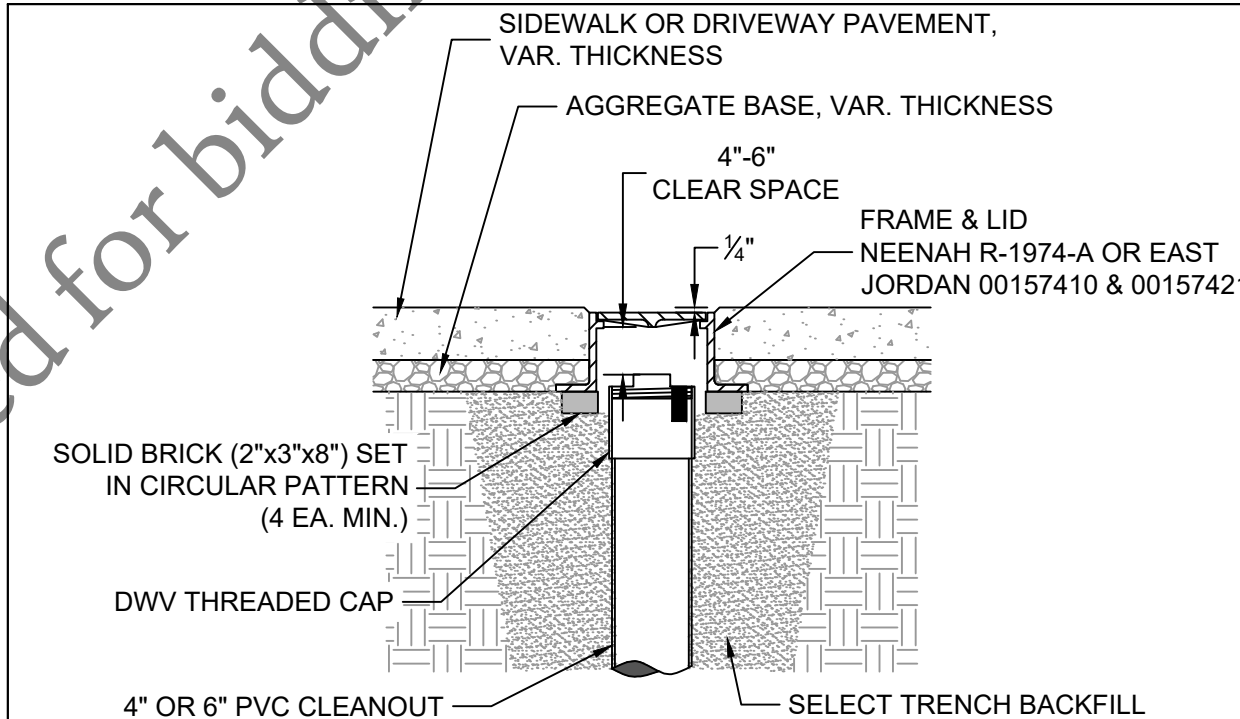


RIGID PIPE BEDDING DETAIL

- NOTES:**
1. REASONABLE CARE SHALL BE USED WHEN BACKFILLING OVER SEWER. NO MATERIALS SUCH AS ROCKS OR BOULDERS SHALL BE PLACED WITHIN 24" OF THE CROWN OF THE PIPE. NO MATERIAL LARGER THAN 8" DIA. SHALL BE USED IN THE BACKFILL.
 2. LOOSE MATERIAL TO BE REMOVED OR COMPACTED PRIOR TO PLACING PIPE BEDDING.
 3. BEDDING SHALL BE WELL HAUNCHED ALONG PIPE TO ENSURE VOIDS ARE ELIMINATED.

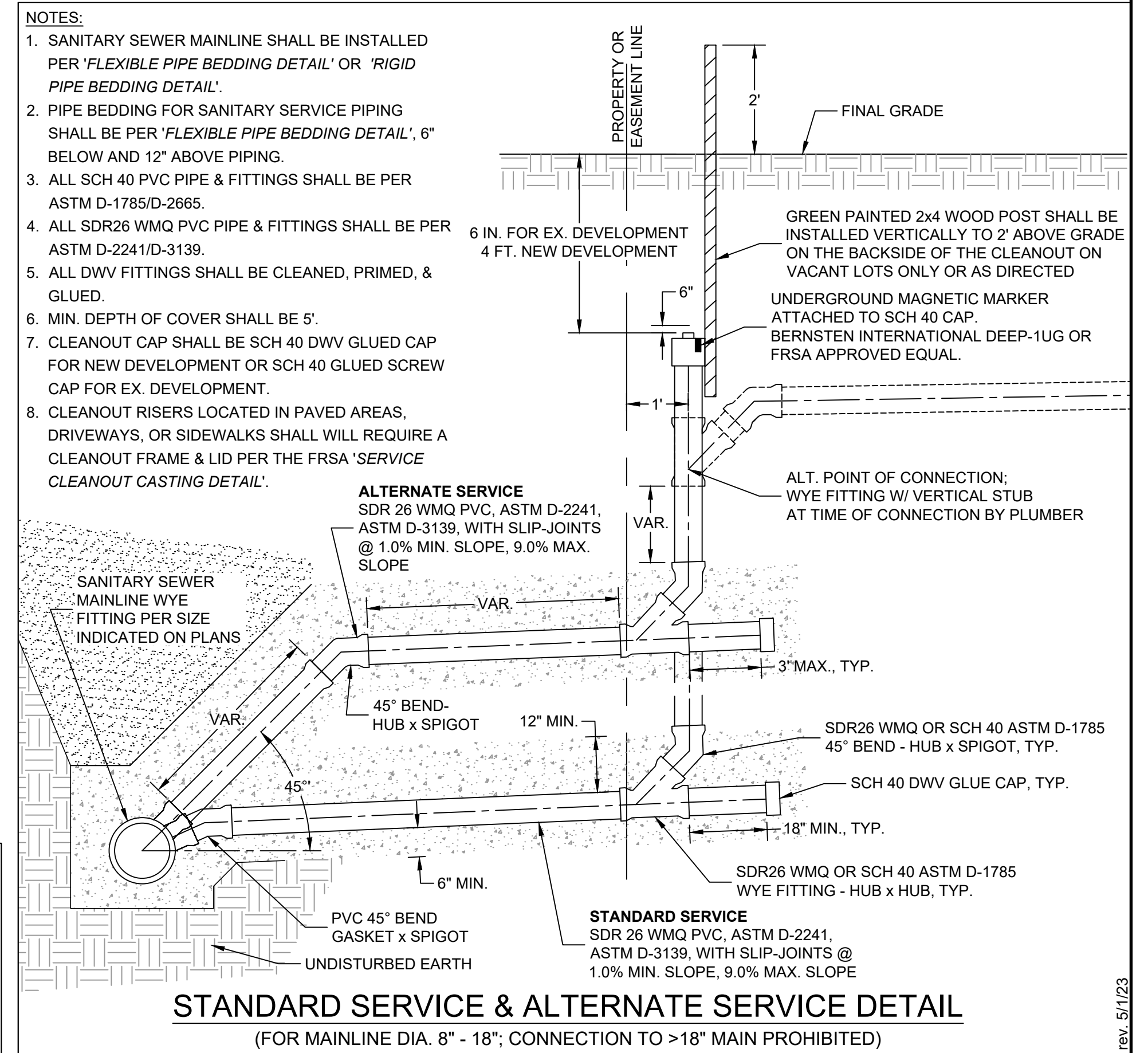


FLEXIBLE PIPE BEDDING DETAIL



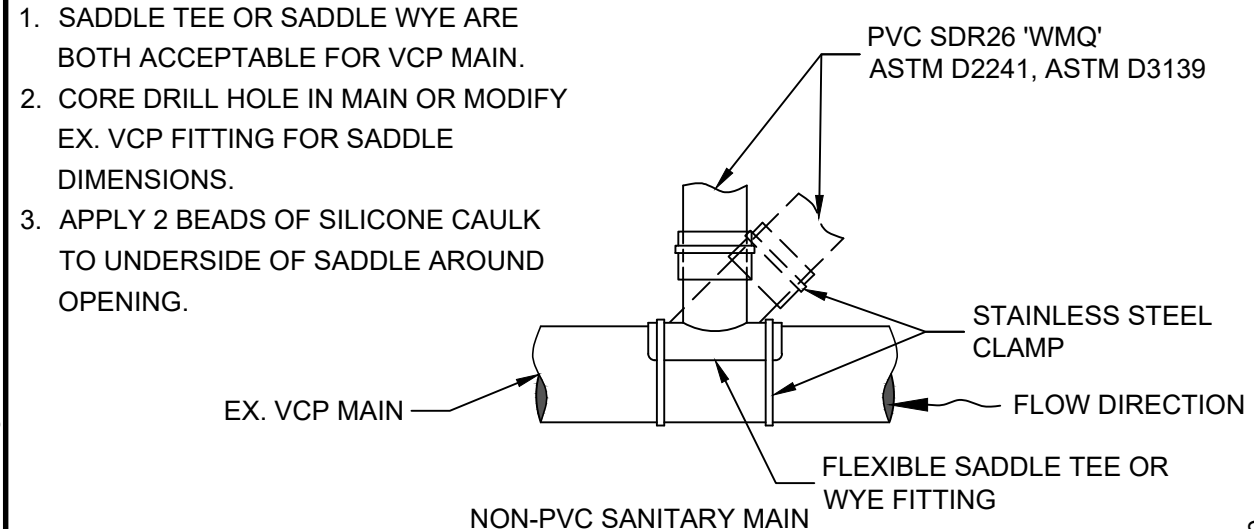
- NOTES:**
1. SERVICE CLEANOUT CASTINGS ARE REQUIRED FOR ALL CLEANOUTS LOCATED IN PAVED AREAS, DRIVEWAYS, OR SIDEWALKS.
 2. THE LOCATION OF THE CLEANOUT SHALL BE APPROVED BY FOUR RIVERS SANITATION AUTHORITY (FRSA).
 3. THE FRAME SHALL BE SET ON BRICKS THAT ARE PLACED IN A CIRCULAR PATTERN THE ENTIRE CIRCUMFERENCE OF THE FRAME. THE BRICKS SHALL BE SET ON COMPACTED TRENCH BACKFILL.
 4. THE FRAME SHALL BE SET TO AN ELEVATION THAT PROVIDES 4"-6" CLEAR SPACE BETWEEN THE TOP OF THE CLEANOUT CAP AND THE BOTTOM OF THE CASTING LID.
 5. THE CONTRACTOR SHALL ENSURE THAT THE CLEANOUT CAP CAN BE UNSCREWED AND REMOVED AND REPLACED WITHOUT HINDRANCE.
 6. THE FRAME SHALL BE SET 1/4" MIN. TO 3/8" MAX. BELOW FINAL PAVEMENT ELEVATION.

SERVICE CLEANOUT CASTING DETAIL



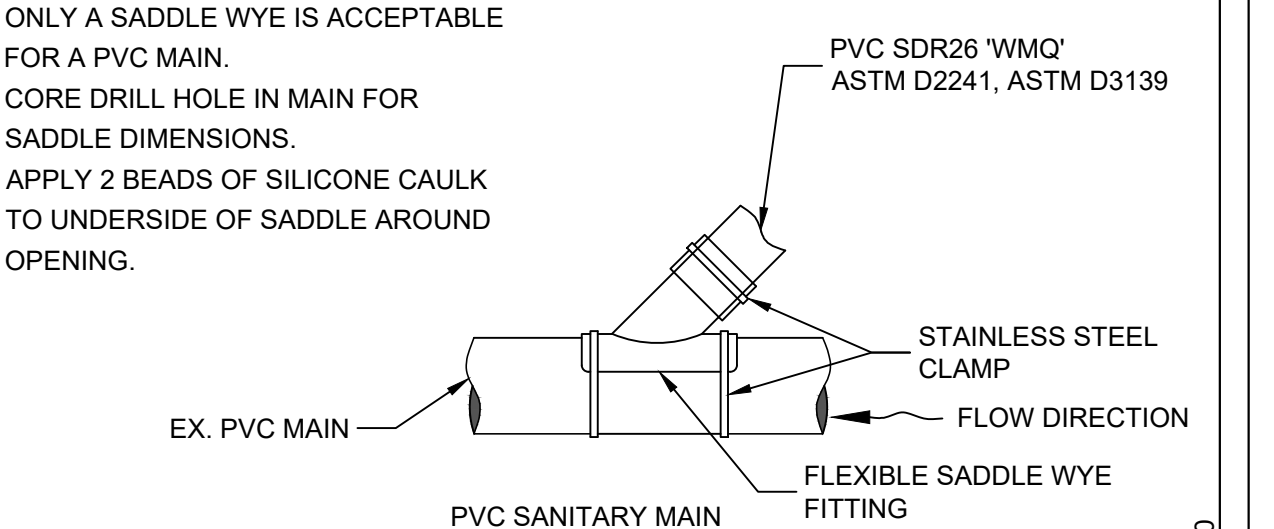
STANDARD SERVICE & ALTERNATE SERVICE DETAIL
(FOR MAINLINE DIA. 8" - 18"; CONNECTION TO >18" MAIN PROHIBITED)

- NOTES:**
1. SADDLE TEE OR SADDLE WYE ARE BOTH ACCEPTABLE FOR VCP MAIN.
 2. CORE DRILL HOLE IN MAIN OR MODIFY EX. VCP FITTING FOR SADDLE DIMENSIONS.
 3. APPLY 2 BEADS OF SILICONE CAULK TO UNDERSIDE OF SADDLE AROUND OPENING.

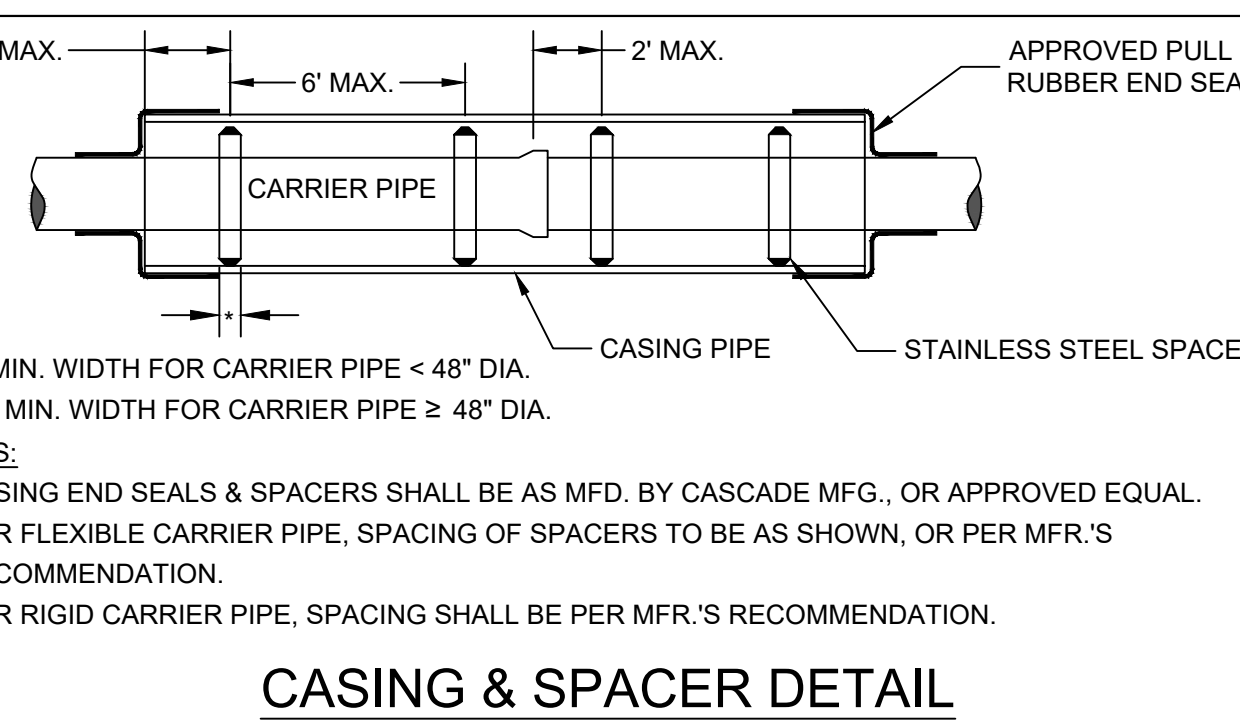


FLEXIBLE SADDLE CONNECTION DETAIL
(FOR SERVICE CONNECTIONS TO NON-PVC SANITARY MAINS LESS THAN 18" DIA.)

- NOTES:**
1. ONLY A SADDLE WYE IS ACCEPTABLE FOR A PVC MAIN.
 2. CORE DRILL HOLE IN MAIN FOR SADDLE DIMENSIONS.
 3. APPLY 2 BEADS OF SILICONE CAULK TO UNDERSIDE OF SADDLE AROUND OPENING.



FLEXIBLE SADDLE CONNECTION DETAIL
(FOR SERVICE CONNECTIONS TO PVC SANITARY MAINS LESS THAN 18" DIA.)



- * 8" MIN. WIDTH FOR CARRIER PIPE < 48" DIA.
12" MIN. WIDTH FOR CARRIER PIPE ≥ 48" DIA.
- NOTES:**
1. CASING END SEALS & SPACERS SHALL BE AS MFD. BY CASCADE MFG., OR APPROVED EQUAL.
 2. FOR FLEXIBLE CARRIER PIPE, SPACING OF SPACERS TO BE AS SHOWN, OR PER MFR.'S RECOMMENDATION.
 3. FOR RIGID CARRIER PIPE, SPACING SHALL BE PER MFR.'S RECOMMENDATION.

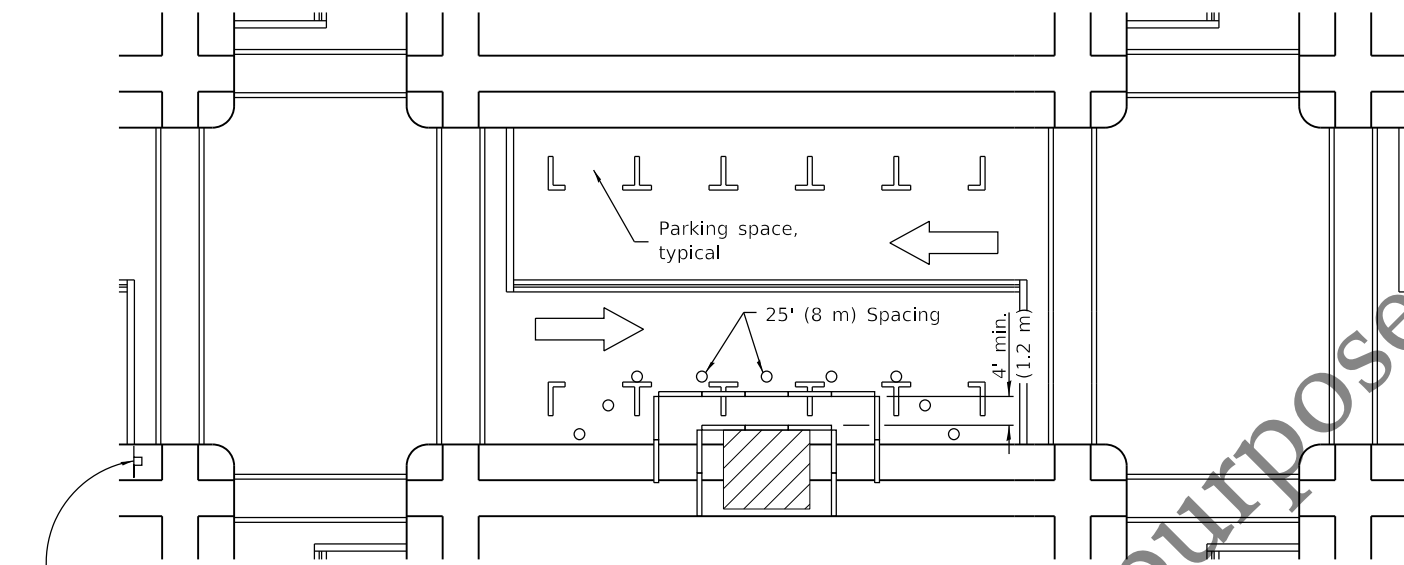
CASING & SPACER DETAIL

FOUR RIVERS SANITATION AUTHORITY (FRSA) STANDARD DETAIL SHEET
(NOT TO SCALE)

3501 KISHWAUKEE ST.
ROCKFORD, ILLINOIS 61109 PH. (815) 387-7660

ISSUE 05/01/2023

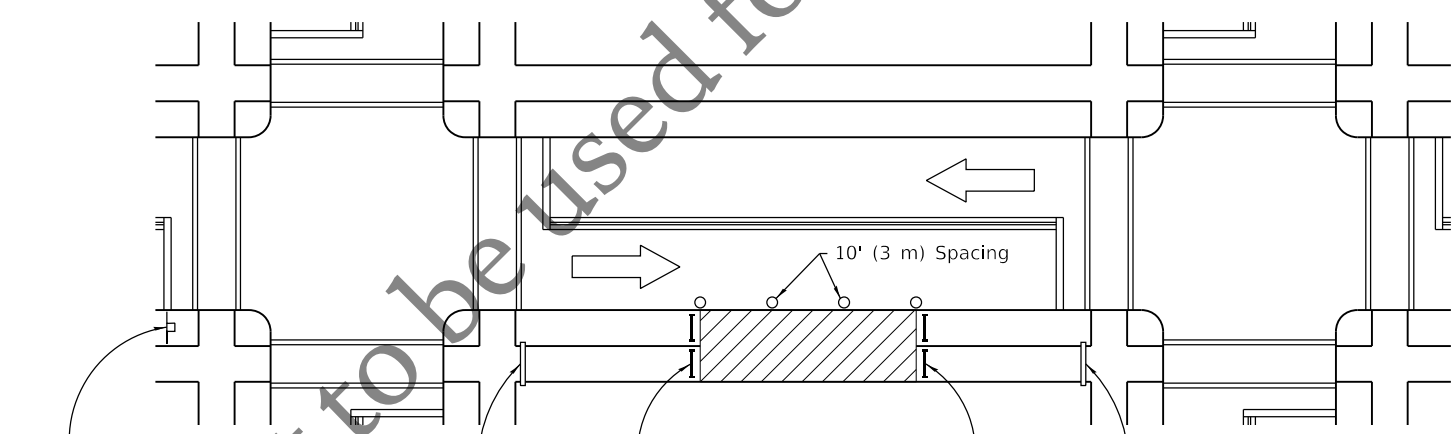
01/01/2021 Revisions: Manhole Adjustment Detail: Revised notes 1 & 2 with acceptable frames & lids. Modified notes 3, 5, & 7. Added note 8. Revised Rock River Reclamation District to Four Rivers Sanitation Authority. Added Drop Connection Detail. Revised notes 6 & 7. Added note 8. Service Cleanout Casting Detail: Added this section.



① ROAD CONSTRUCTION AHEAD W20-1103(0)-48 for contract construction projects

Or
① ROAD WORK AHEAD W20-1(0)-48 for maintenance and utility projects

SIDEWALK DIVERSION



① ROAD CONSTRUCTION AHEAD W20-1103(0)-48 for contract construction projects

Or
① ROAD WORK AHEAD W20-1(0)-48 for maintenance and utility projects

SIDEWALK CLOSED
←
USE OTHER SIDE
R11-1102-2430

SIDEWALK CLOSED
R11-1101-2418

SIDEWALK CLOSED
→
USE OTHER SIDE
R11-1102-2430

SIDEWALK CLOSURE

① Omit whenever duplicated by road work traffic control.

GENERAL NOTES

This Standard is used where, at any time, pedestrian traffic must be rerouted due to work being performed.

This Standard must be used in conjunction with other Traffic Control & Protection Standards when roadway traffic is affected.

Temporary facilities shall be detectable and accessible.

The temporary pedestrian facilities shall be provided on the same side of the closed facilities whenever possible.

The SIDEWALK CLOSED / USE OTHER SIDE sign shall be placed at the nearest crosswalk or intersection to each end of the closure. Where the closure occurs at a corner, the signs shall be erected on the corners across the street from the closure. The SIDEWALK CLOSED signs shall be used at the ends of the actual closures.

Type III barricades and R11-2-4830 signs shall be positioned as shown in "ROAD CLOSED TO ALL TRAFFIC" detail on Standard 701901.

All dimensions are in inches (millimeters) unless otherwise shown.

SYMBOLS

- Work area
- Sign on portable or permanent support
- Barricade or drum
- Cone, drum or barricade
- Type III barricade
- Detectable pedestrian channelizing barricade

Illinois Department of Transportation

PASSED April 1, 2016

 ENGINEER OF SAFETY ENGINEERING

APPROVED April 1, 2016

 ENGINEER OF DESIGN AND ENVIRONMENT

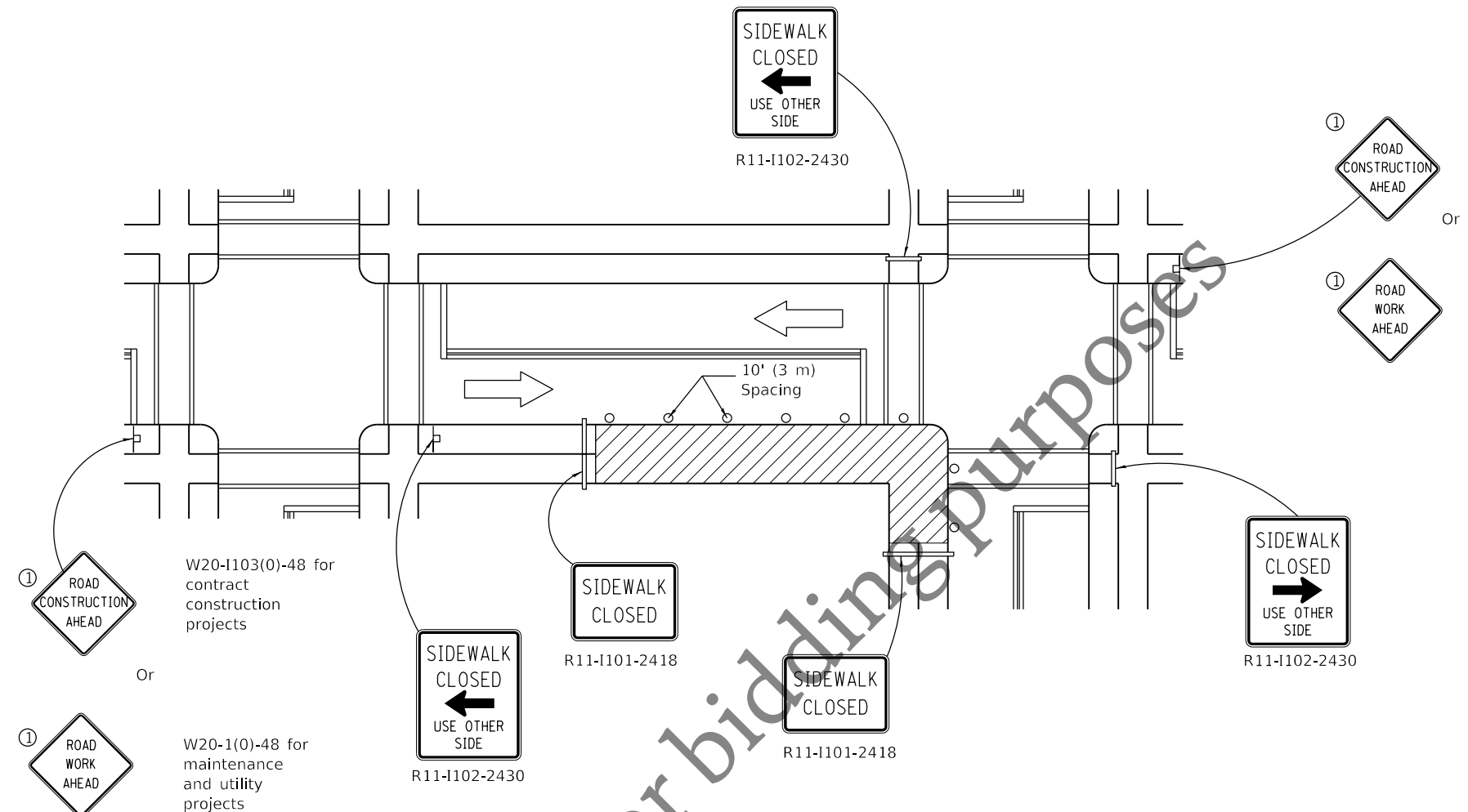
ISSUED 1-1-97

DATE	REVISIONS
4-1-16	Omitted orange safety fence from standard as this is covered in the std. spec.
1-1-12	Added SIDEWALK DIVERSION. Modified appearance of plan views. Renamed Std.

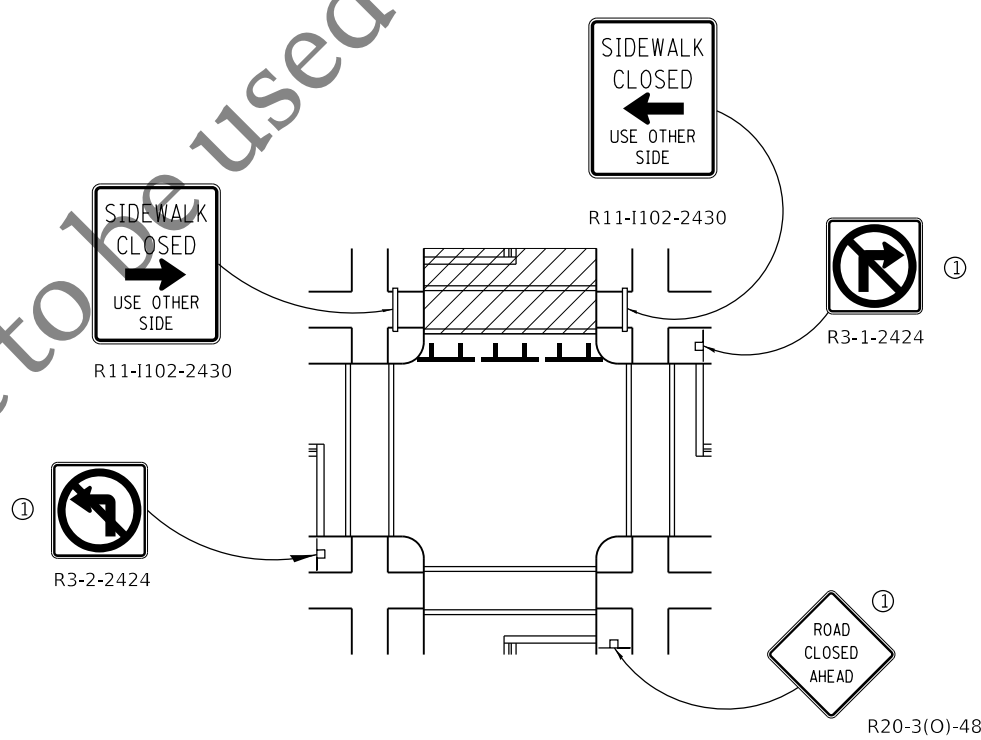
SIDEWALK, CORNER OR CROSSWALK CLOSURE

(Sheet 1 of 2)

STANDARD 701801-06



CORNER CLOSURE



CROSSWALK CLOSURE

W20-I103(0)-48 for contract construction projects
Or
W20-1(0)-48 for maintenance and utility projects

SIDEWALK, CORNER OR CROSSWALK CLOSURE

(Sheet 2 of 2)

STANDARD 701801-06

Illinois Department of Transportation

PASSED April 1, 2016

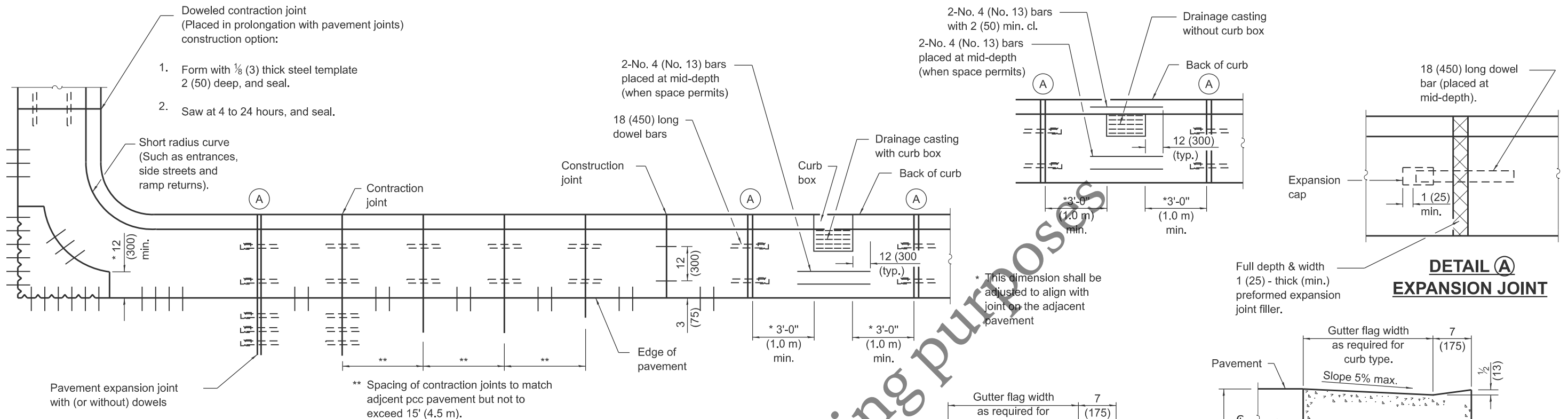
 ENGINEER OF SAFETY ENGINEERING

APPROVED April 1, 2016

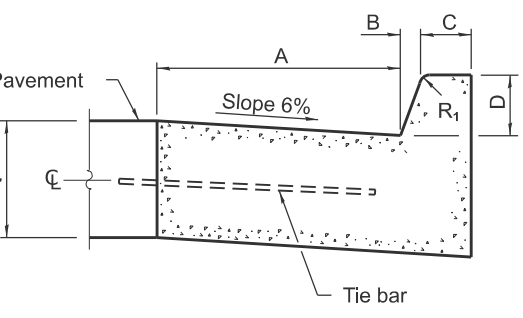
 ENGINEER OF DESIGN AND ENVIRONMENT

ISSUED 1-1-97

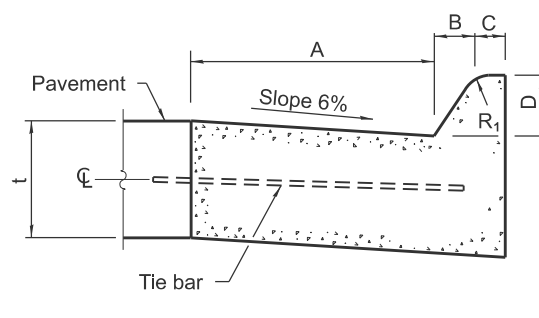
Not to be used for bidding purposes



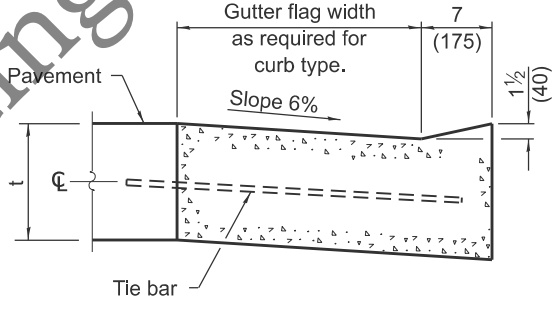
PLAN
ADJACENT TO PCC PAVEMENT OR PCC BASE COURSE



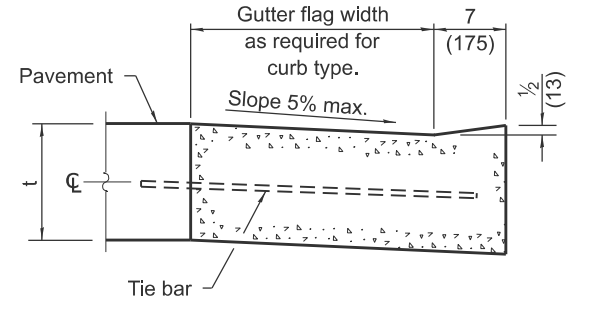
BARRIER CURB



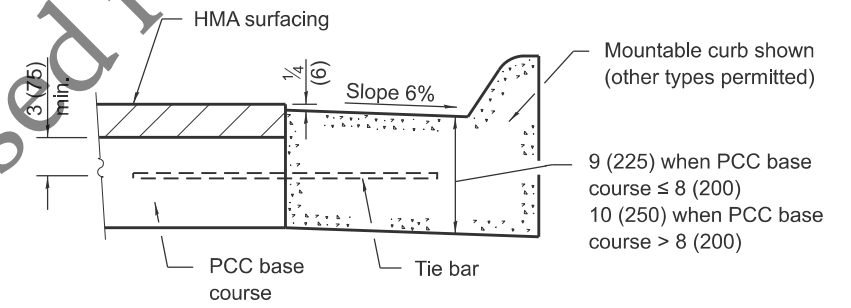
MOUNTABLE CURB



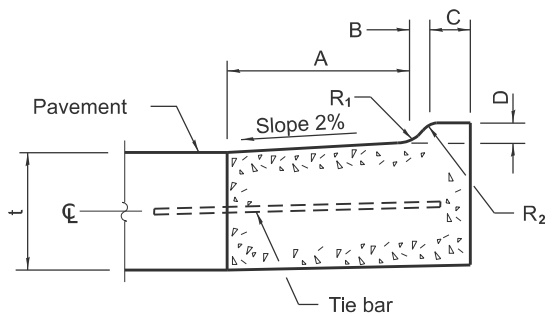
DEPRESSED CURB (TYPICAL)



DEPRESSED CURB ADJACENT TO CURB RAMP ACCESSIBLE TO THE DISABLED



ADJACENT TO PCC BASE COURSE WITH HMA SURFACING



M-2.06 (M-5.15), M-2.12 (M-5.30), and M-2.24 (M-5.60)

TABLE OF DIMENSIONS BARRIER CURB

TYPE	A	B	C	D	R ₁
B-6.06 *	6	1	6	6	1
(B-15.15)	(150)	(25)	(150)	(150)	(25)
B-6.12	12	1	6	6	1
(B-15.3)	(300)	(25)	(150)	(150)	(25)
B-6.18	18	1	6	6	1
(B-15.45)	(450)	(25)	(150)	(150)	(25)
B-6.24	24	1	6	6	1
(B-15.60)	(600)	(25)	(150)	(150)	(25)
B-9.12	12	2	5	9	1
(B-22.30)	(300)	(50)	(125)	(225)	(25)
B-9.18	18	2	5	9	1
(B-22.45)	(450)	(50)	(125)	(225)	(25)
B-9.24	24	2	5	9	1
(B-22.60)	(600)	(50)	(125)	(225)	(25)

TABLE OF DIMENSIONS MOUNTABLE CURB

TYPE	A	B	C	D	R ₁	R ₂
M-2.06	6	2	4	2	3	2
(M-5.15)	(150)	(50)	(100)	(50)	(75)	(50)
M-2.12	12	2	4	2	3	2
(M-5.30)	(300)	(50)	(100)	(50)	(75)	(50)
M-2.24	24	2	4	2	3	2
(M-5.60)	(600)	(50)	(100)	(50)	(75)	(50)
M-4.06	6	4	3	4	3	NA
(M-10.15)	(150)	(100)	(75)	(100)	(75)	NA
M-4.12	12	4	3	4	3	NA
(M-10.30)	(300)	(100)	(75)	(100)	(75)	NA
M-4.18	18	4	3	4	3	NA
(M-10.45)	(450)	(100)	(75)	(100)	(75)	NA
M-4.24	24	4	3	4	3	NA
(M-10.60)	(600)	(100)	(75)	(100)	(75)	NA
M-6.06	6	6	2	6	2	NA
(M-15.15)	(150)	(150)	(50)	(150)	(50)	NA
M-6.12	12	6	2	6	2	NA
(M-15.30)	(300)	(150)	(50)	(150)	(50)	NA
M-6.18	18	6	2	6	2	NA
(M-15.45)	(450)	(150)	(50)	(150)	(50)	NA
M-6.24	24	6	2	6	2	NA
(M-15.60)	(600)	(150)	(50)	(150)	(50)	NA

* For corner islands only.

GENERAL NOTES

The bottom slope of combination curb and gutter constructed adjacent to pcc pavement shall be the same slope as the subbase or 6% when subbase is omitted.

t = Thickness of pavement.

Longitudinal joint tie bars shall be No. 6 (No. 19) at 36 (900) centers in accordance with details for longitudinal construction joint shown on Standard 420001.

A minimum clearance of 2 (50) between the end of the tie bar and the back of the curb shall be maintained.

The dowel bars shown in contraction joints will only be required for monolithic construction.

See Standard 606301 for details of corner islands.

All dimensions are in inches (millimeters) unless otherwise shown.

DATE	REVISIONS
1-1-26	Added M-2.24 (M-5.60) to Mountable Curb Table
1-1-22	Revised contract joint spacing adjacent to pcc pavement.

CONCRETE CURB TYPE B AND COMBINATION CONCRETE CURB AND GUTTER
(Sheet 1 of 2)

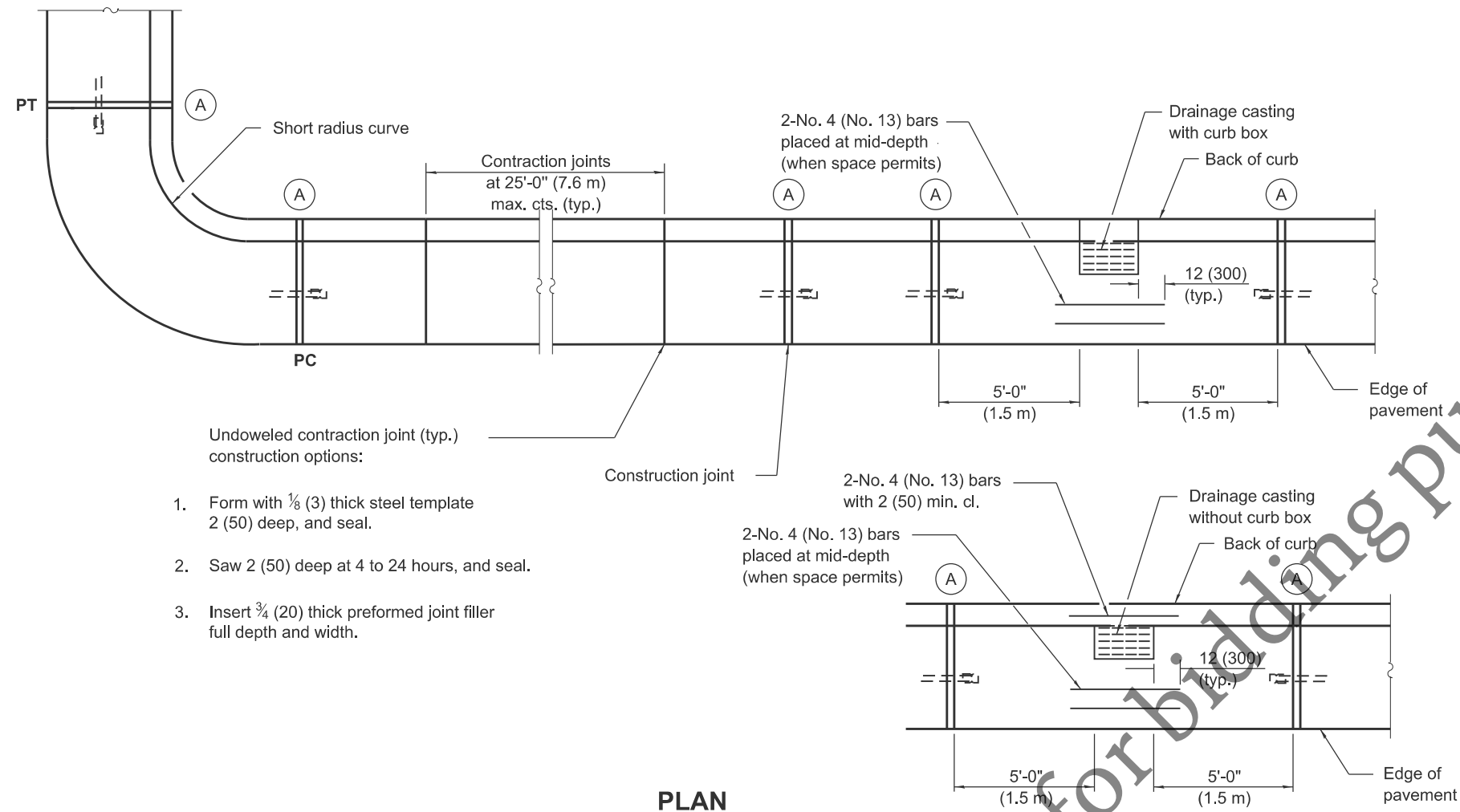
STANDARD 606001-09

Illinois Department of Transportation

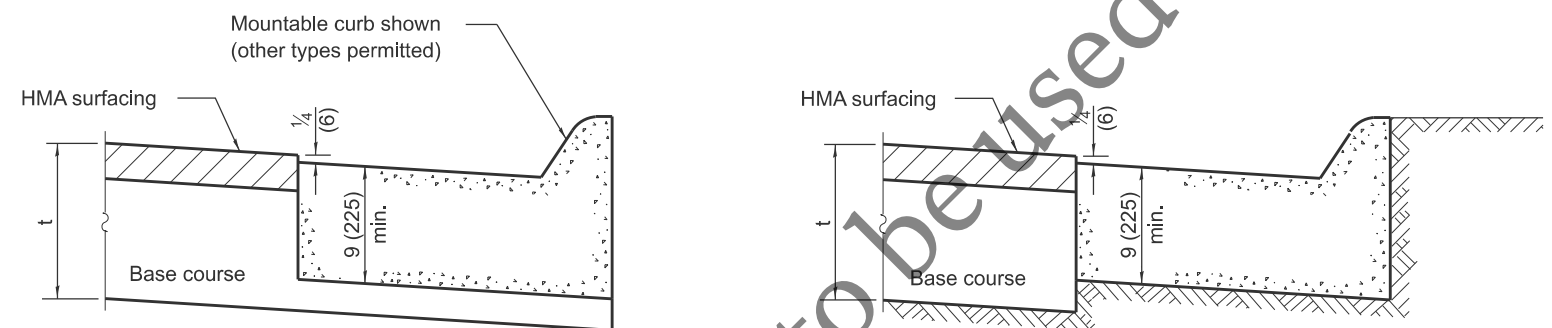
APPROVED January 1, 2026
Mark H. Wood
ENGINEER OF POLICY AND PROCEDURES

APPROVED January 1, 2026
Scott Clark
ENGINEER OF DESIGN AND ENVIRONMENT

ISSUED 1-1-97



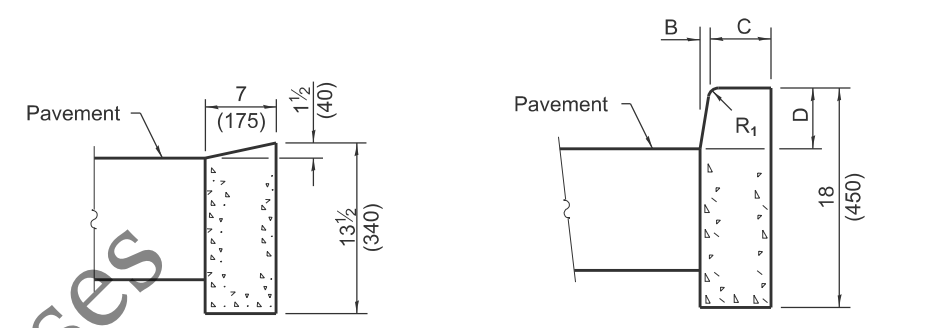
PLAN



ON DISTURBED SUBGRADE

ON UNDISTURBED SUBGRADE

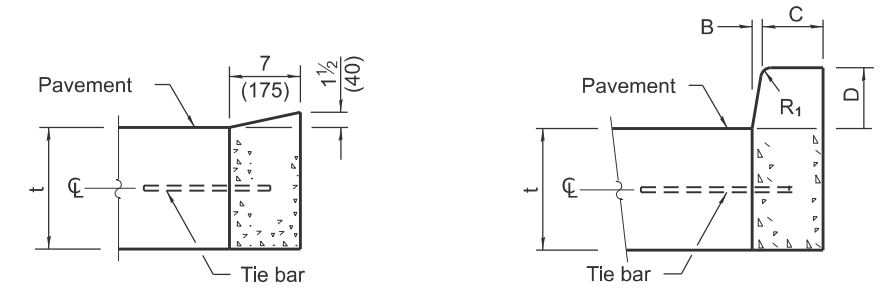
ADJACENT TO FLEXIBLE PAVEMENT



DEPRESSED CURB

BARRIER CURB

ADJACENT TO FLEXIBLE PAVEMENT



DEPRESSED CURB

BARRIER CURB

ADJACENT TO PCC PAVEMENT OR PCC BASE COURSE

CONCRETE CURB TYPE B

**CONCRETE CURB TYPE B
AND COMBINATION
CONCRETE CURB AND GUTTER**
(Sheet 2 of 2)

STANDARD 606001-09

Illinois Department of Transportation

APPROVED January 1, 2026
Marshall L. Wood
ENGINEER OF POLICY AND PROCEDURES

APPROVED January 1, 2026
Scott Cole
ENGINEER OF DESIGN AND ENVIRONMENT

ISSUED 1-1-97

Section V

Record Drawing Information

(Electronic documents incorporated by reference)

Not to be used for bidding purposes

Section VI

**General Provisions &
Technical Specifications for
Sanitary Sewer Construction**

(Separate document incorporated by reference)