

**Four Rivers Sanitation Authority
Rockford, Illinois**

Bidding Requirements and Contract Forms

for

Hot Mix Asphalt Patching FY 2024
(May 1, 2023 – April 30, 2024)

Four Rivers Sanitation Authority Rockford, Illinois

Bidding Requirements and Contract Forms
and
General Provisions and Technical Specifications
for
Sanitary Sewer Construction

for

Hot Mix Asphalt Patching FY 2024 (May 1, 2023 – April 30, 2024)

Board of Trustees

Richard Pollack	President
Ben Bernsten	Vice President
Ginger Haas	Clerk/Treasurer
Donald Massier	Trustee
Elmer Jones	Trustee

Officials

Timothy S. Hanson	Executive Director
Christopher T. Baer, PE	Director of Engineering

Table of Contents

I. Bidding Requirements

Article 1 Notice to Bidders

Article 2 Instructions to Bidders

- 1 General
- 2 Legal Requirements
- 3 General Instructions

Article 3 Detailed Specifications

- 1 General
- 2 Notification, Access and Special Considerations
- 3 Permit Requirements
- 4 Final Grading and Dust Control
- 5 Hot-Mix Asphalt
- 6 Class D Patches, 2" (1 – 50 SY)
Class D Patches, 2" (51 – 100 SY)
Class D Patches, 2" (101 – 500 SY)
Class D Patches, 2" (501 – 1,000 SY)
Class D Patches, 2" (Greater than 1,001 SY)
- 7 Class D Patches, 4" (1 – 50 SY)
Class D Patches, 4" (51 – 100 SY)
Class D Patches, 4" (101 – 500 SY)
Class D Patches, 4" (501 – 1,000 SY)
Class D Patches, 4" (Greater than 1,001 SY)
- 8 Class D Patches, 6" (1 – 50 SY)
Class D Patches, 6" (51 – 100 SY)
Class D Patches, 6" (101 – 500 SY)
Class D Patches, 6" (501 – 1,000 SY)
Class D Patches, 6" (Greater than 1,001 SY)
- 9 Hot-Mix Asphalt Surface Removal, 2" (1 – 500 SY)
Hot-Mix Asphalt Surface Removal, 2" (501 – 1,000 SY)
Hot-Mix Asphalt Surface Removal, 2" (Greater than 1,001 SY)
- 10 Hot-Mix Asphalt Overlay, 2" (1 – 500 SY)
Hot-Mix Asphalt Overlay, 2" (501 – 1,000 SY)
Hot-Mix Asphalt Overlay, 2" (Greater than 1,001 SY)
- 11 Aggregate Surface Course, Type B, Variable Depth
- 12 Supplemental Dust Control
- 13 Traffic Control and Protection
- 14 Quality Control Tests

II. Contract Forms

Proposal
Fair Employment Practices Affidavit of Compliance
Bid Bond
Agreement
Labor & Material Payment Bond
Performance Bond

III. IDOT Highway Standards

IV. General Provisions and Technical Specifications for Sanitary Sewer Construction (separate document incorporated by reference)

Not to be used for bidding purposes

Section I
Bidding Requirements

Not to be used for bidding purposes

Article 1 — Notice to Bidders

The Four Rivers Sanitation Authority (FRSA) will receive signed and sealed bids for the Hot-Mix Asphalt Patching FY 2024 (May 1, 2023 – April 30, 2024) at the Steve Graceffa Administration Building (Administration Building) at 3501 Kishwaukee Street, Rockford, Illinois until 2:00 p.m. on Monday April 17, 2023 at which time and place responsive and responsible bids will be publicly opened and read aloud.

The project consists of furnishing all labor, materials, equipment and services, and the performance of all work required for saw cutting, final grading and hot-mix asphalt pavement installation for FRSA. FRSA will complete sewer repair work within existing roadways, place aggregate base course and complete preliminary grading. The Contractor shall complete finish grading of aggregate base course and install the thickness and size of hot-mix asphalt patch indicated. The work shall be done in accordance with the applicable sections of the *General Provisions and Technical Specifications for Sanitary Sewer Construction* of the Four Rivers Sanitation Authority and the *Standard Specifications for Road and Bridge Construction, Current Edition (IDOT Standard Specifications)* of the Illinois Department of Transportation (IDOT).

Attention is directed to Article 2 – Instructions to Bidders 3.8 requirements for Statement of Qualifications. Bidder must have a permanent business office within forty (40) miles of FRSA's office at 3501 Kishwaukee Street in Rockford, Illinois.

The work is to be completed during FRSA's Fiscal Year 2023, beginning May 1, 2023 and ending April 30, 2024.

Electronic specifications may be obtained by contacting Engineering Administrator, Angie Good, at agood@fourrivers.illinois.gov or at (815) 387-7662.

Each Proposal must be accompanied by the FRSA Bid Bond form with an acceptable Bid Security attached, in the amount of five percent (5%) of the total bid price. This amount is a guarantee that, if the Proposal is accepted, a Contract will be entered into and its performance properly secured.

The successful bidder will be required to furnish a satisfactory Performance Bond in the full amount of the Bid or Proposal. No Bid shall be withdrawn without FRSA's consent for a period of sixty (60) days after the scheduled closing time for receipt of bids.

FRSA reserves the right to reject any or all bids, or any part thereof, or to accept any bid or any part thereof, or to waive any formalities in any bids, deemed to be in the best interest of FRSA.

Dated this 29th day of March, 2023.


BY: Timothy S. Hanson, Executive Director

Article 2 — Instructions to Bidders

1 General

1.1 Scope and Intent

This section of the Contract Documents provides detailed information and requirements for preparing bids to prospective bidders, bidders' responsibility, the preparation and the submission of bids, basis for awarding the Contract and other general information concerned with bidding and executing the Contract.

1.2 Contradictions

If in the case of apparent contradictions between or among the Contract Documents, the Contract Documents shall be consulted in the following order: Addenda, Agreement, Supplementary Drawings, Instructions to Bidders, Detailed Specifications, Plans, Four Rivers Sanitation Authority (FRSA) General Provisions and Technical Specifications for Sanitary Sewer Construction. The language in the first such document in which language regarding the conflict, error or discrepancy occurs shall control.

2 Legal Requirements

2.1 Illinois Regulations

- A. Public Act 100-1177 (820 ILCS 130/) entitled the "Prevailing Wage Act" requires the Bidder to comply with prevailing wages in accordance with the Illinois Department of Labor Standards. The State of Illinois requires contractors and subcontractors on FRSA projects to submit certified payroll reports via the State's Certified Transcript of Payroll Portal currently found at: <https://www2.illinois.gov/idol/Laws-Rules/CONMED/Pages/certifiedtranscriptofpayroll.aspx>. The Bidder is responsible for verifying current information at the State's website.
- B. Public Act 83-1030 (30 ILCS 565/) entitled the "Steel Products Procurement Act" requires that steel products used or supplied in performance of this Contract or subcontract must be manufactured or produced in the United States with three exceptions.
- The provisions of this Section shall not apply:
1. Where the Contract involves an expenditure of less than \$500.
 2. Where the executive head of the public agency certifies in writing that
 - a) the specified products are not manufactured or produced in the United States in sufficient quantities to meet the agency's requirements, or
 - b) obtaining the specified products, manufactured or produced in the United States would increase the cost of the Contract by more than 10%.
 3. When its application is not in the public interest.
- C. Public Act 96-929 (30 ILCS 570/) entitled the "Illinois Workers on Public Works Act" provides that Illinois residents be employed on Illinois public works projects, provided there has been a period of excessive unemployment (5%) in the State of Illinois as

defined in the Act; and, further, that Illinois workers are available and capable of performing the particular type work involved.

- D. Public Act 101-0221 entitled the “Workplace Transparency Act” requires that any party to a contract adopt and promulgate written sexual harassment policies that include, as a minimum, the following information:
1. the illegality of sexual harassment
 2. the definition of sexual harassment under Illinois State law
 3. a description of sexual harassment, utilizing examples
 4. my (our) organization's internal complaint process including penalties
 5. the legal recourse, investigative and complaint process available through the Illinois Department of Human Rights and the Illinois Human Rights Commission
 6. directions on how to contact the Department and the Commission
 7. protection against retaliation as provided by Section 6-101 of the Illinois Human Rights Act

Upon request, this information must be provided to the Illinois Department of Human Rights and the FRSA.

- E. With regard to nondiscrimination in employment, the Contractor for this project will be required to comply with the Illinois Fair Employment Practices Commission's Rules and Regulations.
- F. The Contractor for this project must comply with the Occupational Safety and Health Act.
- G. The Contractor for this project must comply with the Federal Drug-Free Workplace Act.
- H. Public Act 96-1416 requires the Certification of Clean Construction and Demolition Debris (CCDD) and uncontaminated soil prior to disposal at a CCDD fill site. The Contractor for this project must comply with Public Act 96-1416 and be responsible for the certifications and any fees associated with the disposal at a CCDD fill site.
1. In the event that contaminated soil is uncovered on the project, the Contractor must notify FRSA immediately. Any extra costs resulting from the presence of contaminated soil must be evaluated in accordance with FRSA General Provisions & Technical Specs for Sanitary Sewer Construction; General Conditions: Article 5 – Time Provisions and Article 8 – Changes.

2.2 Americans with Disabilities Act

The Contractor for this project will comply with all applicable requirements of the Americans with Disabilities Act of 1990 (ADA). The Contractor will hold harmless and indemnify Four Rivers Sanitation Authority (FRSA) and their representatives from all:

- A. suits, claims, or actions
- B. costs, either for defense (including but not limited to reasonable attorney's fees and expert witness fees) or for settlement

- C. damages of any kind (including but not limited to actual, punitive, and compensatory damages)

relating in any way to or arising out of the ADA, to which said firm is exposed or which it incurs in the execution of the Contract.

3 General Instructions

3.1 Bidder's Responsibility

Bidders are cautioned not to submit proposals until having carefully examined the entire site of the proposed work and adjacent premises and the various means of approach and access to the site, and having made all necessary investigations to inform themselves thoroughly as to the facilities for delivering, placing and handling the materials at the site, and having informed themselves thoroughly as to all difficulties involved in the completion of all the work under this Contract in accordance with its requirements.

Bidders must examine the Plans, Specifications and other Contract Documents and shall exercise their own judgment as to the nature and amount of the whole of the work to be done and for the bid prices must assume all risk of variance, by whomsoever made, in any computation or statement of amount or quantities necessary to complete fully the work in strict compliance with the Contract Documents. The Bidder must satisfy himself by making borings or test pits, or by such methods as he may prefer, as to the character and location of the materials to be encountered or work to be performed. No pleas of ignorance of conditions that exist or that may hereafter exist, or of conditions or difficulties that may be encountered in the execution of the work under this Contract, as a result of failure to make the necessary examinations and investigations, will be accepted as an excuse for any failure or omission on the part of the Contractor to fulfill, in every detail, all of the requirements of the Contract Documents, or will be accepted as a basis for any claims whatsoever for extra compensation or for an extension of time.

The Contractor is responsible for verifying the location of all existing utilities in the project areas.

The Bidder, therefore, shall satisfy himself by such means as he may deem proper as to the location of all structures that may be encountered in construction of the work.

3.2 Addenda and Interpretations

No interpretation of the meaning of the Plans, Specifications, or other Contract Documents will be made to any bidder orally. Every request for such interpretation must be in writing addressed to Four Rivers Sanitation Authority, 3501 Kishwaukee Street, Rockford, Illinois. To be given consideration, such request must be received at least five (5) days prior to the date fixed for the opening of bids. Any and all such interpretations and any supplemental instructions will be in the form of written addenda which, if issued, will be sent by email, fax, or certified mail with acknowledgement of receipt requested, to all prospective bidders, at the respective addresses furnished for such purposes, not later than three (3) days prior to the date fixed for the opening of bids. Failure of any bidder to receive any such addenda or interpretation shall not relieve said bidder from any obligation under his bid as submitted. All addenda so issued shall become part of the Contract Documents.

3.3 Laws and Regulations

The prospective bidder is warned that he must comply with all laws of the United States Government, State of Illinois, all ordinances and regulations of FRSA in the performance of the work under this Contract. The Bidder's attention is specifically called to that provision of the General Conditions regarding the rate of wage to be paid on the work.

3.4 Quantities Estimated Only

Bidders are warned that the estimate of quantities of the various items of work and materials, as set forth in the Proposal form, is approximate only and is given solely to be used as a uniform basis for the comparison of bids. The quantities actually required to complete the Contract work may be less or more than so estimated, and if awarded a contract for the work specified, the Contractor further agrees that he will not make any claim for damages or for loss of profits or for an extension of time because of a difference between the quantities of the various classes of work assumed for comparison of bids and quantities of work actually performed.

3.5 Form, Preparation, and Presentation of Proposals

For particulars as to the quantity and quality of the supplies, materials and equipment to be furnished, and the nature and extent of the work or labor to be done, prospective bidders are referred to the Contract Documents, which may be examined or obtained at the office of FRSA.

Each bid will be submitted upon the prescribed Proposal form. All blank spaces for bid prices must be filled in, in ink, with the unit or total sum or both for which the Proposal is made. If the Proposal contains any omissions, erasures, alterations, additions or items not called for in the itemized Proposal, or contains irregularities of any kind, such may constitute sufficient cause for rejection of bid. In case of any discrepancy in the unit price or amount bid for any item in the Proposal, the unit price as expressed in figures will govern. In no case is the agreement form to be filled out or signed by the bidder.

Bidders may opt to contact FRSA's Engineering Department at 815.387.7660 to obtain an electronic Proposal form. If used, this form must be attached to the hard copy Proposal form and appropriately signed and executed with the bid.

The bid must be verified and be presented on the prescribed form in a sealed envelope on or before the time and at the place stated in the Advertisement for Bids, endorsed with the name of the person, firm or corporation presenting it, the date of presentation, and the title of the work for which the bid is made. If forwarded by mail, the sealed envelope containing the Proposal and marked as directed above, must be enclosed in another envelope addressed to Clerk of the Four Rivers Sanitation Authority, 3501 Kishwaukee Street, Rockford, Illinois, 61109 and be sent preferably by certified mail. FRSA will not accept facsimile generated bids.

3.6 Bid Security

Each Proposal must be accompanied by the FRSA Bid Bond form with an acceptable Bid Security attached, in the amount specified in Article One, Notice to Bidders. This sum is a guarantee that, if the Proposal is accepted, a contract will be entered into and its performance properly secured. The FRSA's Bid Bond Form included in the bid packet must be used. No other Bid Bond form may be substituted.

Within ten (10) days after the opening of bids, the deposits of all but the three lowest bidders will be returned. The deposits of the remaining two unsuccessful bidders will be returned within three (3) days after the execution of the Contract, or, if no such Contract has been executed, within sixty (60) days after the date of opening bids. The deposit of the successful bidder will be returned only after he has duly executed the Contract and furnished the required bond and insurance.

3.7 Affidavit of Compliance

Each proposal must be accompanied by an executed Affidavit of Compliance. A separate Affidavit of Compliance form is enclosed with the Proposal packet. Failure to submit an executed Affidavit of Compliance with the Proposal may constitute sufficient cause for rejection of the bid.

3.8 Statement of Qualifications

Each Proposal must be accompanied by a Statement of Qualifications certifying that the bidder is registered to do business in the State of Illinois, has a permanent business office within forty (40) miles of the FRSA office at 3501 Kishwaukee Street in Rockford, IL, and provides documentation that the bidder possesses the appropriate financial, material, equipment, facility and personnel resources and expertise necessary to meet all contractual obligations. The bidder shall document no less than three (3) hot-mix asphalt patching contracts of similar scope within the past five (5) years having equal or greater value to the bid being submitted. FRSA reserves the right to request additional information, as needed, to evaluate bids prior to making an award.

3.9 Comparison of Proposals

Bids on item contracts will be compared on the basis of a total computed price arrived at by taking the sum of the estimated quantities of each item, multiplied by the corresponding unit prices and including any lump sum bids on individual items, in accordance with the estimate of quantities set forth in the Proposal form. Bids on lump sum contracts will be considered upon the basis of the lowest sum bid.

3.10 Acceptance of Bids and Basis of Award

The contract will be awarded, if at all, to the lowest responsive, responsible bidder. No bidder may withdraw his bid after the scheduled closing time for receipt of bids, for at least sixty (60) days. Four Rivers Sanitation Authority also reserves the right to reject any of all bids.

The bidder whose proposal is accepted will be notified of the Notice of Award issued by FRSA Executive Director. The bidder shall enter into a written contract for the performance of the work and furnish the required bonds and insurance certificate within ten (10) days after written notice by FRSA's Director of Engineering has been served on such bidder personally or by mailing a postpaid wrapper to such bidder at the address given in his proposal.

If the bidder does not comply with the Notice of Award, FRSA will issue a Deficiency Notice. If the bidder to whom the contract is awarded refuses or neglects to execute it or fails to furnish the required bond and insurance within five (5) days after receipt by him of Deficiency Notice, the amount of his deposit shall be forfeited and shall be retained by FRSA as liquidated damage and not as a penalty. It being now agreed that said sum is a fair estimate of the amount of damages that FRSA will sustain in case said bidder fails to enter into a contract and furnish the required bond and insurance. No plea of mistake in the bid shall be available to the bidder for

the recovery of his deposit or as a defense to any action based upon the neglect or refusal to execute a contract.

3.10.1 Evaluation of Responsiveness

The responsiveness of bidders will be judged on the basis of the completeness of the bid submitted. To be responsive, a Bid must be submitted on the forms provided as part of the Bid Documents and comply with all the requirements of the Instruction to Bidders.

3.10.2 Evaluation of Responsibility

To be judged as responsible, the bidder shall:

- A. Have adequate financial resources for performance, the necessary experience, organization, technical qualifications, and facilities, or a firm commitment to obtain such by subcontracts;
- B. Be able to comply with the required completion schedule for the project;
- C. Have a satisfactory record of integrity, judgment, and performance, including, in particular, any prior performance on contracts from FRSA;
- D. Have an adequate financial management system and audit procedures, that provide efficient and effective accountability and control of all property, funds, and assets;
- E. Conform to the civil rights, equal employment opportunity and labor law requirements of the Bid Documents.
- F. Have satisfactorily completed no less than three (3) hot-mix asphalt patching contracts of similar scope within the past five (5) years of equal or greater value to the bid being submitted.

3.11 The Rejection of Bids

FRSA reserves the right to reject any bid if the evidence submitted in the statement of the bidder's qualifications, or if investigation of such bidder fails to satisfy FRSA that such bidder is properly qualified to carry out the obligations and to complete the work contemplated therein. Any or all proposals will be rejected if there is reason to believe that collusion exists among the bidders. Conditional bids will not be accepted. FRSA reserves the right to reject any and all bids and to accept the bid which they deem most favorable to the interest of FRSA after all Proposals have been examined and canvassed.

3.12 Insurance and Bonding

Contractor shall provide all necessary insurance and bonds required to complete the project. No more than ten (10) calendar days subsequent to FRSA's issuance of an award letter, the Contractor shall provide documentation to prove that he has obtained all required insurance and bonds. FRSA shall be the sole judge as to the acceptability of any such proof.

Contractor shall provide and maintain all insurance and bonds as required by FRSA.

3.12.1 General

The Contractor shall ensure that:

- A. All insurance policies shall be specific to the project.

- B. The insurance certificate shall state: This certifies that the insurance coverage meets or exceeds that required for Hot Mix Asphalt Patching FY 2024 (May 1, 2023 – April 30, 2024)
- C. FRSA shall be named as Additional Insured in all policies; this shall include the Owners' Contractors' Protective Policy option.
- D. All completed operations coverages and bonds shall remain in force for a period of two (2) years following acceptance of the Project and completed operations shall stay in force for two (2) years following completion of the Project.

3.12.2 Insurance

The Contractor shall, for the duration of the Contract and for two (2) years following project acceptance, maintain the following:

- A. General Liability: \$1,000,000 combined single limit per occurrence for bodily injury, personal injury and property damage. If Commercial General Liability Insurance or other form with a general aggregate limit is used, either the general aggregate limit shall apply separately to this project or the general aggregate limit shall be twice the required occurrence limit. The Contractor shall provide "XCU" coverage.
- B. Automobile Liability: \$1,000,000 combined single limit per accident for bodily injury and property damage including coverages for owned, hired or non--owned vehicles, as applicable.
- C. Workers' Compensation and Employers Liability: Workers' Compensation limits as required by statute and Employers Liability limits of \$500,000 per accident and \$500,000 per disease.
- D. Umbrella: \$2,000,000 per occurrence/aggregate for contracts valued at \$500,000 or over, or \$1,000,000 for contracts below \$500,000. \$10,000 is maximum allowable self-retained limit.
- E. Errors and Omissions: If the Contractor performs professional services, he shall maintain errors and omissions insurance with a limit no lower than \$1,000,000 for the duration of the contract.

The policies shall contain, or be endorsed to contain, the following provisions in the General Liability and Automobile Liability Coverage's:

1. Unless otherwise provided in paragraph "c" of this section, FRSA, its officers, officials, employees and volunteers shall be covered as additional insureds as respects liability arising out of activities performed by or on insured's general supervision of the Contractor, products and completed operations of the Contractor, premises owned, occupied or used by the Contractor, or automobiles owned, leased, hired or borrowed by the Contractor. The coverage shall contain no special limitations on the scope of protection afforded to FRSA, its officers, officials, employees, volunteers, or agents.
2. Unless otherwise provided in paragraph "c" of this section, the Contractor's insurance coverage shall be primary insurance as respects FRSA, its officers, officials, employees, volunteers, and agents. Any insurance or self-insurance maintained by FRSA, its officers, officials, employees, volunteers, or agents shall be excess of the Contractor's insurance and shall not contribute with it.

3. As an acceptable alternative to provisions “a” and “b” of this section, the Contractor may provide owner's and contractor's protective liability insurance with coverage limits, named insureds, and in conformity with all applicable specifications of this section.
4. Any failure to comply with reporting provisions of the policies shall not affect coverage provided to FRSA, its officers, officials, employees, volunteers, or agents.
5. The Contractor’s insurance shall apply separately to each insured against whom claim is made or suit is brought, except with respect to the limits of the insurer's liability.
6. All Coverages — Each insurance policy required by this clause shall not be suspended, voided, canceled by either party, reduced in coverage, or in limits except after thirty (30) days' prior written notice by certified mail, return receipt requested, has been given to FRSA.

3.12.3 Best's Ratings

FRSA shall be the sole judge of whether or not said insurer's ratios are satisfactory. FRSA 's decision shall be final and FRSA 's bidding procedures contain no appeal provision.

- A. Alphabetical Rating: For purposes of this Request for Bids, "insurer" shall mean any surety, insurance carrier, or other organization which proposes to provide an insurance policy or bond for the Contractor. No insurer or surety rated lower than "A-, Excellent" in the current *Best's Key Rating Guide* shall be acceptable to FRSA.
- B. Financial Size Rating: Provided an insurer's alphabetical rating is satisfactory, FRSA will examine said insurer's financial size rating.
 1. If Best classifies the insurer XII or larger, said insurer shall be acceptable to FRSA.
 2. If Best classifies the insurer as smaller than XII, but larger than VI, said insurer shall be submitted to FRSA’s Director of Management Services and/or FRSA’s insurance consultant for review.

Financial Size ratings less than VII are not acceptable and will disqualify the Contractor.

3.12.4 Performance Bond and Labor & Materials Payment Bond Form

The Contractor shall provide a Performance Bond and Labor & Materials Payment Bond form acceptable to FRSA. The performance bond shall be for either 100% of the contract price or for the Contractor’s unit price times the estimated number of units, as applicable.

This Request for Bids contains a Performance Bond and a Labor & Material Bond form for the Contractor’s use.

If the Contractor fails to provide acceptable bonds within the specified time, he shall be in default.

3.12.5 Correction of Contractor's Insurance or Bond Deficiencies

If FRSA determines that the Contractor's insurance or bond documentation does not conform to these specifications, FRSA shall inform said Contractor of the non-conformity. If said Contractor fails to provide conforming insurance or bond documentation within five (5) calendar days of FRSA's deficiency notice, he shall be in default.

3.12.6 Indemnification Clause

Contractor shall protect, indemnify, hold and save harmless and defend FRSA, its officers, officials, employees, volunteers, and agents against any and all claims, costs, causes, actions and expenses, including but not limited to attorney's fees incurred by reason of a lawsuit or claim for compensation arising in favor of any person, including the employees, officers, independent contractors, or subcontractors of the Contractor or FRSA, on account of personal injuries or death, or damages to property occurring, growing out of, incident to, or resulting directly or indirectly from the performance by the Contractor or subcontractor, whether such loss, damage, injury or liability is contributed to by the negligence of FRSA or by premises themselves or any equipment thereon whether latent or patent, or from other causes whatsoever, except that the successful bidder shall have no liability for damages or the costs incident thereto caused by the sole negligence of FRSA.

The indemnification shall not be limited by a limitation on amount or type of damages payable by or for the Contractor or its subcontractor under any employee benefits act including, but not limited, to the Workers Compensation Act.

No inspection by FRSA, its employees, or agents shall be deemed a waiver by FRSA of full compliance with the requirements of the Contract. This indemnification shall not be limited by the required minimum insurance coverages in the Contract.

3.13 Tax Exemption

FRSA is exempt, by law, from paying bidder Federal Excise Tax and Illinois Retailers' Occupational Tax. Therefore, the bidder shall exclude those taxes from his bid. FRSA's tax exemption number is E9992-3696-06. The bidder shall include all other applicable taxes in his bid price.

Article 3 – Detailed Specifications

1 General

This article contains detailed specifications relating to Proposal items. The work to be done under each item is discussed along with units for payment and measurement for payment. However, the descriptions given do not necessarily outline all the work to be done under any item. All work shall conform to the Four Rivers Sanitation Authority's (FRSA) *General Provisions and Technical Specifications for Sanitary Sewer Construction*, applicable sections of the current edition of the *Illinois Department of Transportation's Standard Specifications for Road and Bridge Construction (IDOT Standard Specifications)*, and current OSHA standards and rules.

Throughout these specifications, the terms "Owner," "FRSA," and "Engineer" are used interchangeably.

In case of apparent contradictions between Article 3 - Detailed Specifications and FRSA's *General Provisions and Technical Specifications for Sanitary Sewer Construction*, these Detailed Specifications shall govern.

The work to be done consists of furnishing all labor, materials, equipment and services, and the performance of all saw-cutting, final grading and pavement installation for FRSA. The work required under this contract involves many different sites throughout FRSA's service area (including FRSA property). The scope of work required will vary with the site.

The Contractor shall furnish all labor, equipment, materials, power, lighting, heating, fuel, water, tools, appliances, supplies, traffic control services, supervision and all other items needed to satisfactorily perform and complete the work.

The Contractor shall provide and maintain all tools and equipment as is necessary to perform all the work required by this Contract in a satisfactory and acceptable manner. Only equipment of established reputation and proven efficiency shall be used. The Contractor shall be solely responsible for the adequacy of his equipment.

The Contractor shall obtain and pay for all required permits, and shall perform the work in a manner that will ensure the safety of all workers and the public while preserving the integrity of all property in strict accordance with the Contract Documents.

The Contractor shall maintain clean and safe work areas for the duration of the work through final acceptance and shall be responsible for all costs included thereto. All structures and property damaged or disturbed during performance of the work shall be repaired or restored by the Contractor at no cost to FRSA.

Any ancillary work needed to complete this project that is not specifically covered under a pay item shall be considered included in the Contract and no additional payment will be made.

The Contractor shall verify all Specifications or other data received from FRSA, and shall notify FRSA of all errors, omissions, conflicts, and discrepancies found therein. Failure to discover or correct errors, conflicts or discrepancies shall not relieve the Contractor of full responsibility for unsatisfactory work resulting there from nor from rectifying such conditions at his own expense. Contractor will not be allowed to take advantage of any errors

or omissions, as full instructions will be furnished by FRSA, should such errors or omissions be discovered. The Contractor shall assume all responsibility for accurately appraising the size, type, and quality of materials and equipment needed for the completion of the work to be done under the Contract.

The apparent silence of the Specifications as to any detail, or the apparent omission of a detailed description concerning any work to be done, shall imply that only the best general practice and quality of workmanship shall prevail; interpretation of these Specifications shall be interpreted on this basis.

The Contractor shall transport all waste material, pavement, debris, etc., removed during construction to an approved offsite dumping area and shall pay all tipping fees. When construction is halted due to rain, the Contractor shall clean up all work areas and ensure that proper surface drainage is provided before leaving the site.

Any damage caused by the Contractor's operations to areas outside the various removal and right of way limits, including but not limited to roadway pavements, driveway pavements, drainage structures, storm sewer, underground utilities, overhead utilities, turf areas, and landscaped areas shall be repaired and/or replaced by the Contractor at no additional cost.

Suppliers shall warrant their products and product components as suitable and fit for the intended purpose and that they are free from all material, design, and manufacturing defects. Said warranty shall extend to the benefit of the Owner and FRSA and shall apply to all products and product components whether supplied or fabricated as a result of these Specifications.

FRSA will not supervise, direct, control, have authority over or be responsible for the Contractor's means, methods, techniques, sequences, procedures of construction, safety precautions and programs incident, thereto, or for any failure of the Contractor to comply with Laws and Regulations applicable to the furnishing or performance of the Work. FRSA will not be responsible for the Contractor's failure to perform or furnish the Work in accordance with the Contract Documents.

The Contractor shall be responsible for all quality control testing of materials and final installation required by FRSA. All deficiencies noted by the inspectors shall be corrected by the Contractor without cost to FRSA and prior to final payment.

All work in streets shall be subject to the regulations and requirements of the jurisdictional agencies or as identified in these Detailed Specifications. Should conflicts or contradictions arise between the plans, specifications and the roadway, railroad or waterway permits, the permits shall govern.

The Contractor shall provide traffic control personnel, equipment, and/or devices as required by the jurisdictional roadway authority.

2 Notification, Access and Special Considerations

2.1 General

FRSA will place and compact the initial aggregate base course, allow time for proper trench and base settlement, and will fortify any settling with additional aggregate, as necessary, prior to notifying the Contractor to proceed with the pavement work.

For all patches less than or equal to 100 SY, the Contractor shall complete the work at the site within three (3) calendar days of notification by FRSA. For all patches greater than 100 SY, the Contractor shall complete his work at the site within seven (7) calendar days of notification by FRSA. Liquidated damages of \$300/day for failure to complete the work on time shall be assessed by FRSA and deducted from Contractor's invoice prior to payment. Should the Contractor believe completion within the timeframes noted above is not possible due to weather or other causes beyond his/her control, a time extension will be considered on a case-by-case basis. FRSA must be notified in a timely manner and shall be the sole judge whether an extension of time is justified. The Contractor shall be responsible for maintaining the patch(es) until such time that the permanent repair is complete. This shall include any traffic control devices and the liability for any potential third-party damage claims that may occur.

The Contractor shall obtain all permits required by the governing roadway agencies and shall provide detailed traffic control plans and implement and maintain approved traffic control measures, including detour routes, as required. Traffic control and protection shall be in accordance with the *IDOT Standard Specifications* and *IDOT Highway Standards*, current editions. If the road is kept open to traffic during patching operations Article 701.17(e) of the *IDOT Standard Specifications* shall be adhered to. All work zone traffic control and protection shall be in compliance with the *Manual on Uniform Traffic Control Devices* and the *IDOT Standard Specifications*. No separate payment shall be made for Traffic Control; all costs shall be included in the various pay items.

The Contractor is responsible for any damages caused by his operations to existing structures above or below the ground as covered in G.C. 12:1 of FRSA's *General Provisions and Technical Specifications for Sanitary Sewer Construction*.

2.2 Required Submittals – Not used.

2.3 Measurement and Payment

No separate payment will be made for costs associated with Notification, Access, and Special Considerations.

3 Permit Requirements

3.1 General

All work in public right-of-way shall be subject to the regulations and requirements of the jurisdictional agencies. Should conflicts or contradictions arise between the plans, specifications and the roadway, railroad, or utility permits, the permits shall govern.

The Contractor shall be responsible for securing any necessary permits from all jurisdictional authorities, and for securing all bonds, insurance, right of entry, etc., and paying all fees required by any and all permits. The Contractor shall comply with all provisions of permits secured or required for this project.

3.2 Required Submittals

1. Copies of executed permits, as applicable.

3.3 Payment

The cost of procurement of and compliance with any and all permit requirements shall be included in the various Contract unit prices and no additional compensation will be awarded.

4 Final Grading and Dust Control

4.1 General

The Contractor shall be responsible for final grading and compaction of the aggregate base course prior to pavement installation. The pavement area shall be restored to its original cross section and slope. Contractor shall provide grading work to create the required cross section and properly match all adjacent surfaces. FRSA may provide temporary cold patch to stabilize and protect the aggregate base course until the final hot-mix asphalt can be placed. In these instances, the Contractor shall completely remove the cold patch material prior to final pavement installation; this shall be included in the various Contract pay items and no separate payment shall be made.

Aggregate base course preparation shall be in accordance with Article 351.05(a) of the *IDOT Standard Specifications* (in compliance of all requirements of “Aggregate Base Course, Type A”). Aggregate shall be compacted to not less than 100% of the standard laboratory density. FRSA shall be allowed to inspect the aggregate base course prior to placement of any hot-mix asphalt material. In some instances, FRSA may also request that density tests be completed to ensure proper aggregate compaction has been obtained; these tests shall be considered included in the various pay items and no additional compensation will be considered.

This work shall include full-depth sawcuts to provide a clean edge adjacent to the patch. Materials removed during the sawcutting and preparation work shall be disposed of in accordance with Article 442.05 of the *IDOT Standard Specifications*.

From the date of the Notice to Proceed, until the work is complete, Contractor shall be responsible for dust control. Upon being notified by FRSA that dust control is required, the Contractor will shall complete the work within twenty-four (24) hours. Dust control shall minimally consist of a watering rate of 1,000 gallons per 1,500 square yards of road.

4.2 Materials

Aggregate base course shall be in accordance with Article 1004.04 of the *IDOT Standard Specifications for Road and Bridge Construction*, Current Edition. Crushed concrete materials approved by IDOT and in accordance with Article 1004.04 may be allowed in lieu of virgin materials, subject to prior approval by the jurisdictional roadway authorities.

4.3 Required Submittals

1. Material gradation certifications for aggregates.

4.4 Measurement and Payment

All work as outlined above to prepare patches for hot-mix asphalt placement (including, but not limited to, final grading and compaction of aggregate base course, sawcutting, removal of aggregate, cold patch, and/or pavement materials, and dust control) shall be considered included in the various pay items and no separate compensation shall be considered.

5 Hot-Mix Asphalt

5.1 General

Hot-mix asphalt shall be off the type and thickness specified and shall be placed over the entire area disturbed in the original pavement. Additional pavement may be required in areas FRSA deems necessary. All work under this section shall be in accordance with the *IDOT Standard Specifications*, the requirements of the jurisdictional roadway authority and the requirements of FRSA, including the *General Provisions and Technical Specifications for Sanitary Sewer Construction*.

Mix designs and materials inspection reports must be submitted to FRSA for approval prior to the Notice to Proceed.

Vibrating rollers will not be allowed on residential streets unless prior permission is received by the Engineer and the jurisdictional authority. In the absence of a vibratory roller on streets, densities shall be ninety-five percent (95%) minimum unless otherwise allowed by the Engineer.

5.2 Materials

Hot-mix Asphalt shall be in accordance with Section 1030 of the *IDOT Standard Specifications for Road and Bridge Construction*, Current Edition.

5.3 Required Submittals

1. HMA mix designs.
2. Material Inspection Reports

5.4 Measurement and Payment

This work will be paid for as hereafter outlined below under the various Hot-Mix Asphalt pay items.

- 6 Class D Patches, 2” (1 – 50 SY)
- Class D Patches, 2” (51 – 100 SY)
- Class D Patches, 2” (101 – 500 SY)
- Class D Patches, 2” (501 – 1,000 SY)
- Class D Patches, 2” (Greater than 1,001 SY)

6.1 General

This work shall be completed in accordance with the requirements of Section 442 of the *IDOT Standard Specifications* and shall consist of placement of variable size hot-mix asphalt patches on an as-needed basis at various locations as directed by FRSA. Pavement patches shall consist of one (1) 2” lift of hot-mix asphalt surface course. Prior to placement of surface course, the prime coat shall be installed on the aggregate base course in accordance with Article 406.05 of the *IDOT Standard Specifications*.

Paving shall be in accordance with T.S. 4:3/Pavement Restoration of the *General Provisions and Technical Specifications for Sanitary Sewer*, and with Section 406 of the *IDOT Standard Specifications for Road and Bridge Construction* and shall be performed to the satisfaction of FRSA and the jurisdictional roadway authority.

For pavement patch dimensions that are a lane width or greater and exceed 50’ in longitudinal length, the hot-mix asphalt shall be placed via machine method (spreading and finishing machine) and hand method placement shall not be allowed.

6.2 Materials

HMA Surface Course shall be Mix “D”, IL-9.5, N50 in accordance with Section 1030 of the *IDOT Standard Specifications for Road and Bridge Construction*, Current Edition.

Prime coat shall be SS-1 in accordance with Section 1032 of the *IDOT Standard Specifications*.

6.3 Required Submittals

1. HMA mix designs.
2. Tack Coat material certifications.

6.4 Measurement and Payment

This work will be paid for at the Contract unit price per Square Yard for **Class D Patches, 2” (1 – 50 SY); Class D Patches, 2” (51 – 100 SY); Class D Patches, 2” (101 – 500 SY); Class D Patches, 2” (501 – 1,000 SY); Class D Patches, 2” (Greater than 1,001 SY)**, complete, in place.

- 7 **Class D Patches, 4” (1 – 50 SY)**
- Class D Patches, 4” (51 – 100 SY)**
- Class D Patches, 4” (101 – 500 SY)**
- Class D Patches, 4” (501 – 1,000 SY)**
- Class D Patches, 4” (Greater than 1,001 SY)**

7.1 General

This work shall be completed in accordance with the requirements of Section 442 of the *IDOT Standard Specifications* and shall consist of placement of variable size hot-mix asphalt patches on an as-needed basis at various locations as directed by FRSA. This patch shall be constructed of two lifts of hot-mix asphalt material; 2 ¼” of hot-mix asphalt binder course and 1 ¾” of hot-mix asphalt surface course. Prior to placement of binder course, the prime coat shall be installed on the aggregate base course in accordance with Article 406.05 of the *IDOT Standard Specifications*.

Paving shall be in accordance with T.S. 4:3/Pavement Restoration of the *General Provisions and Technical Specifications for Sanitary Sewer Construction*, and with Section 406 of the *IDOT Standard Specifications for Road and Bridge Construction*, Current Edition and shall be performed to the satisfaction of FRSA and the jurisdictional roadway authority.

For pavement patch dimensions that are a lane width or greater and exceed 50’ in longitudinal length, the hot-mix asphalt shall be placed via machine method (spreading and finishing machine) and hand method placement shall not be allowed.

7.2 Materials

HMA binder course shall be mixture IL-19.0, N50 in accordance with Section 1030 of the *IDOT Standard Specifications for Road and Bridge Construction*, Current Edition.

HMA Surface Course shall be Mix “D”, IL-9.5, N50 in accordance with Section 1030 of the *IDOT Standard Specifications for Road and Bridge Construction*, Current Edition.

Prime coat shall be SS-1 in accordance with Section 1032 of the *IDOT Standard Specifications*.

7.3 Required Submittals

1. HMA mix designs.
2. Tack Coat material certifications.

7.4 Measurement and Payment

This work will be paid for at the Contract unit price per Square Yard for **Class D Patches, 4” (1 – 50 SY); Class D Patches, 4” (51 – 100 SY); Class D Patches, 4” (101 – 500 SY); Class D Patches, 4” (501 – 1,000 SY); Class D Patches, 4” (Greater than 1,001 SY)**, complete, in place.

- 8 Class D Patches, 6” (1 – 50 SY)
- Class D Patches, 6” (51 – 100 SY)
- Class D Patches, 6” (101 – 500 SY)
- Class D Patches, 6” (501 – 1,000 SY)
- Class D Patches, 6” (Greater than 1,001 SY)

8.1 General

This work shall be completed in accordance with the requirements of Section 442 of the *IDOT Standard Specifications* and shall consist of placement of variable size hot-mix asphalt patches on an as-needed basis at various locations as directed by FRSA. This patch shall be constructed of two lifts of hot-mix asphalt material; 4” of hot-mix asphalt binder course and 2” of hot-mix asphalt surface course. Prior to placement of binder course, the prime coat shall be installed on the aggregate base course in accordance with Article 406.05 of the *IDOT Standard Specifications*.

Paving shall be in accordance with T.S. 4:3/Pavement Restoration of the *General Provisions and Technical Specifications for Sanitary Sewer Construction*, and with Section 406 of the *IDOT Standard Specifications for Road and Bridge Construction*, Current Edition and shall be performed to the satisfaction of FRSA and the jurisdictional roadway authority.

For pavement patch dimensions that are a lane width or greater and exceed 50’ in longitudinal length, the hot-mix asphalt shall be placed via machine method (spreading and finishing machine) and hand method placement shall not be allowed.

8.2 Materials

HMA Binder Course shall be mixture IL-19.0, N50 in accordance with Article 1030 of the *IDOT Standard Specifications* (or other as approved by FRSA).

HMA Surface Course shall be Mix “D”, IL-9.5, N50 in accordance with Section 1030 of the *IDOT Standard Specifications for Road and Bridge Construction*, Current Edition.

Prime coat shall be SS-1 in accordance with Section 1032 of the *IDOT Standard Specifications*.

8.3 Required Submittals

1. HMA mix designs.
2. Tack Coat material certifications.

8.4 Measurement and Payment

This work will be paid for at the Contract unit price per Square Yard for **Class D Patches, 6” (1 – 50 SY); Class D Patches, 6” (51 – 100 SY); Class D Patches, 6” (101 – 500 SY); Class D Patches, 6” (501 – 1,000 SY); Class D Patches, 6” (Greater than 1,001 SY)**, complete, in place.

- 9 Hot-Mix Asphalt Surface Removal, 2” (1 – 500 SY)
- Hot-Mix Asphalt Surface Removal, 2” (501 – 1,000 SY)
- Hot-Mix Asphalt Surface Removal, 2” (Greater than 1,001 SY)

9.1 General

This work shall be done in accordance with Section 440 of the IDOT *Standard Specifications for Road and Bridge Construction*, Current Edition and shall involve the complete removal and disposal of the existing hot-mix asphalt surface course pavement to a depth of 2” utilizing a self-propelled milling machine. All work shall be done in accordance with Article 440.04 of the *IDOT Standard Specifications*. Preparation of milled areas to accept hot-mix asphalt surface course shall be completed in accordance with Article 406.05 of the *IDOT Standard Specifications*.

9.2 Required Submittals – Not used.

9.3 Payment

Payment for this work shall be made at the Contract unit price per Square Yard of **Hot-mix Asphalt Surface Removal, 2” (1 – 500 SY)**; **Hot-mix Asphalt Surface Removal, 2” (501 – 1,000 SY)**; and **Hot-mix Asphalt Surface Removal, 2” (Greater than 1,001 SY)**.

- 10 Hot-Mix Asphalt Overlay, 2” (1 – 500 SY)
- Hot-Mix Asphalt Overlay, 2” (501 – 1,000 SY)
- Hot-Mix Asphalt Overlay, 2” (Greater than 1,001 SY)

10.1 General

This work shall be done in accordance with Section 406 of the IDOT *Standard Specifications for Road and Bridge Construction*, Current Edition and shall consist of placement of hot-mix asphalt surface course over the areas that were milled under the **Hot-Mix Asphalt Surface Removal, 2”** pay items. Preparation of the milled surface shall be according to Article 406.05 of the IDOT *Standard Specifications for Road and Bridge Construction*, Current Edition.

The hot-mix asphalt shall be placed via machine method (spreading and finishing machine) and hand method placement shall not be allowed.

10.2 Materials

HMA Surface Course shall be Mix “D”, IL-9.5, N50 in accordance with Section 1030 of the IDOT *Standard Specifications for Road and Bridge Construction*, Current Edition.

Tack coat shall be SS-1 in accordance with Section 1032 of the IDOT *Standard Specifications*.

10.3 Required Submittals

1. HMA mix designs.
2. Tack Coat material certifications.

10.4 Measurement and Payment

This work will be paid for at the Contract unit price per Square Yard for **Hot-mix Asphalt Overlay, 2” (1 – 500 SY); Hot-mix Asphalt Overlay, 2” (501 – 1,000 SY); Hot-mix Asphalt Overlay, 2” (Greater than 1,001 SY);** complete, in place.

11 Aggregate Base Course, Type B, Variable Depth

11.1 General

This work shall consist of placing compacted Aggregate Base Course, Type B at locations and depths as directed by FRSA. This work shall include subgrade preparation, removal and disposal of excess material, furnishing, placing, installing and compacting coarse aggregate, and trimming and prepping aggregate base for subsequent pavement placement. All work shall be in accordance with Section 351 of the IDOT *Standard Specifications for Road and Bridge Construction*, Current Edition.

11.2 Materials

Aggregate base course shall be Gradation CA-2, Gradation CA-6 or as otherwise directed by FRSA and/or the governing roadway authority. Coarse Aggregates shall be in accordance with Article 1004.04 of the IDOT *Standard Specifications for Road and Bridge Construction*, Current Edition. Crushed concrete materials approved by IDOT and in accordance with Article 1004.04 may be allowed in lieu of virgin materials, subject to prior approval of the jurisdictional roadway authority.

11.3 Required Submittals

1. Material gradation certifications for aggregates.

11.4 Measurement and Payment

This work will be paid for at the Contract unit price per Ton for **Aggregate Base Course, Type B, Variable Depth,** complete, in place.

12 Supplemental Dust Control

12.1 General

This work shall consist of providing supplemental dust control at the request of FRSA in areas of 100 SY or more, beyond what is needed for the work specified above. The Contractor shall provide supplemental dust control no later than twenty-four (24) hours after the request has been made by FRSA.

Water, prime coat, and calcium chloride are allowable materials for supplemental dust control. Water shall be applied at a rate of 1,000 gallons per 1,500 SY of surface area. Prime coat shall be applied at a rate of 0.25 lbs/SF of surface area. Calcium chloride shall be added to water in accordance with manufacturer's recommendations and applied at a rate of 2.0 lbs/SY of surface area.

12.2 Materials

Water shall be in accordance with Section 1002 of the IDOT *Standard Specifications for Road and Bridge Construction*, Current Edition. Tack coat shall be SS-1 in accordance with Section 1032 of the IDOT *Standard Specifications*. Calcium Chloride shall be in accordance with Section 1013 of the IDOT *Standard Specifications*.

12.3 Required Submittals

1. Material certifications for tack coat.
2. Material certifications for calcium chloride

12.4 Measurement and Payment

This work will be paid for at the Contract unit price per Gallon for **Supplemental Dust Control**.

13 Traffic Control and Protection

13.1 General

The Contractor shall obtain all permits required by the jurisdictional roadway authorities and shall provide detailed traffic control plans and implement and maintain approved traffic control measures, including detour routes, as required. Traffic control and protection shall be in accordance with the *IDOT Standards Specifications* and the *IDOT Highway Standards*.

All work zone traffic control and protection shall be in accordance with the requirements of the *Manual on Uniform Traffic Control Devices*, current edition.

All detour routes or road closures needed to complete the work shall be approved by the jurisdictional roadway authority prior to placement of any traffic control measures. Approvals all detours or closures shall be provided to FRSA.

13.2 Required Submittals

1. Copies of approved traffic control plans, including detour routes (if required).

13.3 Payment

The cost of procurement of Traffic Control and Protection shall be included in the various Contract unit prices and no additional compensation will be awarded.

14 Quality Control Tests

14.1 General

All costs of quality control testing of hot-mix asphalt as identified in Article 1030.05 of the IDOT *Standard Specifications* shall be the responsibility of the Contractor. The cost of all quality control testing shall be included in the various Contract unit prices and no additional compensation will be awarded.

Section II

Contract Forms

Not to be used for bidding purposes

Proposal

Project: Hot Mix Asphalt Patching FY 2024 (May 1, 2023 – April 30, 2024)

Location: Various locations throughout FRSA's Service Area

Completion Date: Contract Length is May 1, 2023 – April 30, 2024
Patches under 100 SY shall be completed within three (3) calendar days of notification by FRSA. Patches greater than 100 SY shall be completed within seven (7) calendar days of notification by FRSA.

Liquidated Damages: \$300/calendar day per each completion date deadline

To: Board of Trustees
Four Rivers Sanitation Authority
3501 Kishwaukee Street
Rockford, IL 61109

From: _____
(Individual, Partnership or Corporation, as case may be)

(Address of Individual, Partnership or Corporation)

Gentlemen:

I (We), the undersigned, hereby propose to furnish all materials, equipment, tools, services, labor, and whatever else may be required to construct and place in service the above subject Sanitary Sewer for the Four Rivers Sanitation Authority all in accordance with the plans and specifications, provided by Four Rivers Sanitation Authority. The undersigned also affirms and declares:

1. That I (we), have, examined and am (are) familiar with all the related contract documents and found that they are accurate and complete and are approved by the undersigned.
2. That I (we), have carefully examined the site of the work, and that, from my (our) investigation, has satisfied myself (ourselves) as to the nature and location of the work, the character, quality, and quantity of materials and the kind and extent of equipment and other facilities needed for the performance of the work, the general and local conditions and all difficulties to be encountered, and all other items which may, in any way, effect the work or its performance.
3. That this bid is made without any understanding, agreement or connection with any other person, firm, or corporation making a bid for the same purposes, and is in all

respects fair and without collusion or fraud; and that I (we) are not barred from bidding as a result of a bid-rigging or bid-rotating conviction.

4. That accompanying the Proposal is a Bidder's Bond in the amount specified in Article 1, Notice to Bidders, payable to the Board of Trustees of the Four Rivers Sanitation Authority, which it is agreed, shall be retained as liquidated damages by said Four Rivers Sanitation Authority if the undersigned fails to execute the Contract in conformity with the contract documents incorporated in the contract documents and furnish bond as specified, within ten (10) days after notification of the award of the contract to the undersigned.
5. The Bidder is of lawful age and that no other person, firm or corporation has any interest in this Proposal or in the Contract proposed to be entered into.
6. The Bidder is not in arrears to the Four Rivers Sanitation Authority, upon debt or contract, and is not a defaulter, as surety or otherwise, upon any obligation to the Four Rivers Sanitation Authority.
7. No officer or employee or person whose salary is payable in whole or in part by the Four Rivers Sanitation Authority is, shall be or become interested, directly or indirectly as a contracting party, partner, stockholder, surety or otherwise, in this Proposal, or in the performance of the Contract, or in the work to which it is relates, or in any portion of the profits thereof.
8. The Bidder which I represent complies with all applicable requirements of the Americans with Disabilities Act (ADA) and the Occupational Safety and Health Act (OSHA) and that if said bidder is awarded a contract, it will complete all OSHA-required or ADA-required employee and customer training, will make available all required information, and will hold harmless and indemnify the Four Rivers Sanitation Authority and the Four Rivers Sanitation Authority's representatives.

In regard to participation in an approved Apprenticeship program, upon request, Contractor will be required to provide written proof of participation.

9. The undersigned, as Bidder, declares that he has adopted and promulgated written sexual harassment policies in accordance with Public Act 101-0221 and will make this information available upon request.
10. The undersigned, as Bidder, declares he will comply with prevailing wages in accordance with the Illinois Department of Labor Standards. The State of Illinois requires contractors and subcontractors on public works projects (including Four Rivers Sanitation Authority) to submit certified payroll reports via the State's Certified Transcript of Payroll Portal found at www2.illinois.gov/idol/Laws-Rules/CONMED/Pages/certifiedtranscriptofpayroll.aspx.
11. The undersigned, as Bidder, declares he will comply with the Federal Drug Free Workplace Act.
12. The undersigned, as Bidder, declares he will comply with Public Act 83-1030 entitled "Steel Products Procurement Act".

13. The undersigned, as Bidder, declares he will comply with Public Act 96-929 (30 ILCS 570) regarding Illinois residents' employment.
14. The undersigned, as Bidder, declares he will comply with non-discrimination in employment in accordance with the Illinois Fair Employment Practices Commissions Rules & Regulations.
15. The undersigned, as Bidder, declares that he currently participates in an apprenticeship or training program that is registered with the United States Department of Labor's Bureau of Apprenticeship and Training or other acceptable State of Illinois Department of Labor monitored program.

In submitting this bid, it is understood that the right is reserved by the Four Rivers Sanitation Authority to reject any and all bids. It is agreed that this bid may not be withdrawn for a period of sixty (60) days from the opening thereof.

The undersigned further declares that he (they) has (have) carefully examined the following items of work and that the cost of all the work to complete this project is given in this Proposal.

Not to be used for bidding purposes

Item No.	Quantity	Unit	Description	Unit Price (In Writing)	Unit Price (In Figures)	Total Price (In Figures)
1	50	SY	Class D Patches, 2" (1 - 50 SY)			
2	75	SY	Class D Patches, 2" (51 - 100 SY)			
3	300	SY	Class D Patches, 2" (101 SY - 500 SY)			
4	750	SY	Class D Patches, 2" (501 SY - 1,000 SY)			
5	1,200	SY	Class D Patches, 2" (Greater than 1,001 SY)			
6	250	SY	Class D Patches, 4" (1 - 50 SY)			
7	500	SY	Class D Patches, 4" (51 - 100 SY)			
8	500	SY	Class D Patches, 4" (101 SY - 500 SY)			
9	1,000	SY	Class D Patches, 4" (501 SY - 1,000 SY)			
10	1,500	SY	Class D Patches, 4" (Greater than 1,001 SY)			
11	100	SY	Class D Patches, 6" (1 - 50 SY)			
12	150	SY	Class D Patches, 6" (51 - 100 SY)			
13	500	SY	Class D Patches, 6" (101 SY - 500 SY)			
14	750	SY	Class D Patches, 6" (501 SY - 1,000 SY)			
15	1,200	SY	Class D Patches, 6" (Greater than 1,001 SY)			
16	250	SY	Hot Mix Asphalt Surface Removal, 2" (1 - 500 SY)			
17	750	SY	Hot Mix Asphalt Surface Removal, 2" (501 - 1,000 SY)			
18	1,200	SY	Hot Mix Asphalt Surface Removal, 2" (Greater than 1,001 SY)			
19	100	SY	Hot Mix Asphalt Overlay, 2" (1-500 SY)			
20	750	SY	Hot Mix Asphalt Overlay, 2" (501 - 1,000 SY)			

Item No.	Quantity	Unit	Description	Unit Price (In Writing)	Unit Price (In Figures)	Total Price (In Figures)
21	1,200	SY	Hot Mix Asphalt Overlay, 2" (Greater than 1,001 SY)			
22	50	TON	Aggregate Base Course, Type B, Variable Depth			
23	100	GAL	Supplemental Dust Control			
TOTAL BID PRICE:						
				(In Writing)		(In Figures)

The undersigned acknowledges receiving Addendum numbers _____, _____, _____, and realizes that all Addenda are considered part of the Contract.

By: _____

Name: _____ Title: _____ Date: _____

Fair Employment Practices Affidavit of Compliance

Project: Hot-Mix Asphalt Patching FY 2024 (May 1, 2023-April 30, 2024)

NOTE: THE BIDDER MUST EXECUTE THIS AFFIDAVIT AND SUBMIT IT WITH ITS SIGNED BID. THE FOUR RIVERS SANITATION AUTHORITY CANNOT ACCEPT ANY BID WHICH DOES NOT CONTAIN THIS AFFIDAVIT

_____, being first duly sworn, deposes and says that:
(Name of person making affidavit)

They are: _____ of _____
(Officer's Title) (Company Name)

that said company is and "Equal Opportunity Employer" as defined by Section 2000(e) of Chapter 21, Title 42 of the United States Code annotated and Federal Executive Orders #11375 which are incorporated herein by reference;

and that said company will comply with any and all requirements of Title 44 Admin. Code 750. APPENDIX A – Equal Opportunity Clause, Rules and Regulations, Illinois Department of Human Rights, which read as follows:

"In the event of the contractor's non-compliance with the provisions of this Equal Employment Opportunity Clause, the Illinois Human Rights Act or the Rules and Regulations of the Illinois Department of Human Rights ("Department"), the contractor may be declared ineligible for future contracts or subcontracts with the State of Illinois or any of its political subdivisions or municipal corporations, and the contract may be cancelled or voided in whole or in part, and such other sanctions or penalties may be imposed or remedies invoked as provided by statute or regulation. During the performance to this contract, the contractor agrees as follows:

1. That it will not discriminate against any employee or applicant for employment because of race, color, religion, sex, sexual orientation, marital status, national origin or ancestry, citizen status, age, physical or mental handicap unrelated to ability, sexual orientation, military status or an unfavorable discharge from military service, and further that it will examine all job classifications to determine if minority persons or women are underutilized and will take appropriate affirmative action to rectify any such underutilization.
2. That, if he or she hires additional employees in order to perform this contract or any portion of this contract, he or she will determine the availability (in accordance with the Department's Rules and Regulations) of minorities and women in the areas from which he or she may reasonably recruit and he or she will hire for each job classification for which employees are hired in a way that minorities and women are not underutilized.
3. That, in all solicitations or advertisements for employees placed by him or her or on his or her behalf, he or she will state that all applicants will be afforded equal opportunity without discrimination because of race, color, religion, sex, sexual orientation, marital status, national origin or ancestry, citizenship status, age, physical or mental handicap unrelated to ability, sexual orientation, military status or an unfavorable discharge from military service.
4. That he or she will send to each labor organization or representative of workers with which he or she has or is bound by a collective bargaining or other agreement or understanding, a notice advising such labor organization or representative of the contractor's obligations under the Illinois Human Rights Act and the Department's Rules and Regulations. If any labor organization or representative fails or refuses to cooperate with the contractor in his or her efforts to comply with such Act and Rules and Regulations, the contractor will promptly so notify the Department and the contracting agency and will recruit employees from other sources when necessary to fulfill its obligations under the contract.
5. That he or she will submit reports as required by the Department's Rules and Regulations, furnish all relevant information as may from time to time be requested by the Department or the contracting agency, and in all respects comply with the Illinois Human Rights Act and the Department's Rules and Regulations.
6. That he or she will permit access to all relevant books, records, accounts and work sites by personnel of the contracting agency and the Department for purposes of investigation to ascertain compliance with the Illinois Human Rights Act and the Department's Rules and Regulations.
7. That he or she will include verbatim or by reference the provisions of this clause in every subcontract awarded under which any portion of the contract obligations are undertaken or assumed, so that the provisions will be binding upon the subcontractor. In the same manner as with other provisions of this contract, the contractor will be liable for compliance with applicable provisions of this clause by such subcontractors; and further it will promptly notify the contracting agency and the Department in the event any subcontractor fails or refuses to comply with the provisions. In addition, the contractor will not utilize any subcontractor declared by the Illinois Human Rights Commission to be ineligible for contracts or subcontracts with the State of Illinois or any of its political subdivisions or municipal corporations.

(Source: Amended at 32 Ill. Reg. 16484, effective September 23, 2008)"

IL Dept of Human Rights Registration No.: _____ Expiration Date: _____

Signature

Subscribed and sworn to before me this _____ day of _____, 20_____.

Notary Public

Bid Bond

KNOW ALL MEN BY THESE PRESENTS, that we:

_____ (hereinafter called the Principal)
and

_____ (hereinafter called the Surety)

a Corporation chartered and existing under the laws of the State of _____ with its principal offices in the City of _____ and authorized to do business in the State of Illinois are held and firmly bound onto the Four Rivers Sanitation Authority (FRSA) of Winnebago County, Illinois, in the full and just sum of: **FIVE PERCENT (5%) OF THE TOTAL BID PRICE** good lawful money of the United States of America, to be paid upon demand of the FRSA, to which payment will and truly to be made we bind ourselves, our heirs, executors, administrators, and assigns, jointly and severally and firmly by these presents.

WHEREAS, the Principal is about to submit, or has submitted to FRSA, a proposal for **Hot-Mix Asphalt Patching FY 2024 (May 1, 2023 – April 30, 2024)**.

WHEREAS, the Principal desires to file this bond, in accordance with law, to accompany this Proposal.

NOW THEREFORE, The conditions of this obligation are such that if the Proposal be accepted, the Principal shall, within ten days after the date of receipt of a written notice of award of Contract, execute a Contract in accordance with the Proposal and upon the terms, conditions, and prices set forth therein, in the form and manner required by FRSA, and execute a sufficient and satisfactory Contract Performance Bond payable to said FRSA in an amount of one hundred percent (100%) of the Contract price (including alternates) in form and with security satisfactory to said FRSA, then this obligation to be void, otherwise to be and remain in full force and virtue in law; and the Surety shall, upon failure of the Principal to comply with any or all of the foregoing requirements within the time specified above, immediately pay to the aforesaid FRSA, upon demand, the amount hereof in good and lawful money of the United States of America, not as a penalty, but as liquidated damages.

IN TESTIMONY THEREOF, the Principal and Surety have caused these presents to be duly signed and sealed this _____ day of _____, 20_____.

Principal

(Seal)

By _____

Name: _____

Title: _____

Date: _____

Attest:

Secretary

Surety

(Seal)

By _____

Name: _____

Title: _____

Date: _____

Not to be used for bidding purposes

Agreement

1. General

THIS AGREEMENT, made and concluded this _____ day of _____, 2023, between the Four Rivers Sanitation Authority (FRSA), Rockford, Illinois, acting by and through the Board of Trustees, and _____, his/their executors, administrators, successors or assigns:

2. Scope of Work

WITNESSETH: That for and in consideration of the payments and agreements made in the Proposal attached hereto, to be made and performed by FRSA and according to the terms expressed in the Bond referring to these presents, the Contractor agrees with FRSA at his/their own proper cost and expense to do all the work, furnish all equipment, materials and all labor necessary to complete the work in accordance with the plans and specifications hereinafter described, and in full compliance with all of the terms of this agreement and the requirements of FRSA and its representative.

And it is also understood and agreed that the Bidding Requirements, Detailed Specifications, Contract Forms, General Conditions, General Requirements, Technical Specifications, Plans, Addenda, and provisions required by law are all essential documents of the contract, and are a part hereof, as if herein set out verbatim or as if attached, except for titles, subtitles, headings, table of contents and portions specifically excluded.

3. Contract Price

FRSA shall pay to the Contractor, and the Contractor shall accept, in full payment for the performance of this Contract, subject to any additions or deductions provided for hereby, in current funds, the Total Contract Price of _____ and 00/100 (\$_____).

Payments are to be made to the Contractor in accordance with and subject to the provisions of Section 7 of this Agreement, which is a part of this Contract.

4. Bond

The Contractor has entered into and herewith tenders a bond of even date herewith, in the penal sum of _____ and 00/100 (\$_____) to insure the faithful performance of this Contract, which said bond is hereby made a part of this Contract by reference.

5. Maintenance and Guarantee

The Contractor shall promptly repair, replace, restore or rebuild any imperfections that may arise and shall maintain satisfactory to FRSA all work for a period three years from the date of final acceptance of the Contract for trench settlement and for a period of two years all other work, except where periods of maintenance and guarantee are provided for. The Contractor shall, for this period, indemnify and save harmless the FRSA, its officers and agents from any injury done to property or persons as a direct or alleged result of imperfections in the Contractors' work, and shall immediately assume and take charge of the defense of such

action or suits in like manner and to all intents and purposes as if said actions and suits had been brought directly against the Contractor.

If the Contractor shall fail to repair, replace, rebuild or restore such defective or damaged work promptly after receiving notice given by FRSA, the FRSA shall have the right to have the work done by others and to call on the Contractor and his bondsman to pay the costs thereof.

6. Contract Execution

IT IS EXPRESSLY UNDERSTOOD AND AGREED that the entire improvement shall be done in a thorough and workmanlike manner, under the direction and to the satisfaction of FRSA and in full compliance with all the requirements of its representative under them. All loss or damage arising out of the nature of the work to be done, or from any detention of unforeseen obstruction or difficulty which may be encountered in the prosecution of the work, or from the action of the elements, shall be sustained by the Contractor.

The Contractor will be held responsible for all accidents, and hereby agrees to indemnify and protect FRSA from all suits, claims, and actions brought against it, and all cost, and damages which FRSA may be put to by reason of an injury or alleged injury, to the person or property of another in the execution of this contract, or the performance of the work, or in guarding the same, or for any material used in its prosecution or in its construction.

Any person employed on the work who shall refuse or neglect to obey the directions of FRSA or its representative, or who shall be deemed by FRSA to be incompetent, or who shall be guilty of any disorderly conduct, or who shall commit any trespass on any public or private property in the vicinity of the work, shall at once be removed from the work by the Contractor when so requested by FRSA.

Any request to extend the contract completion date must be considered by the Board at the Board meeting prior to the then-existing contract termination date. Any deviation from this action will result in the liquidated damage clause in the contract to be exercised.

7. Payments to Contractor

FRSA hereby covenants and agrees, in consideration of the covenants and agreements in this Contract, specified to be kept and performed by the Contractor and subject to the conditions herein contained, and if FRSA receives an acceptable invoice prior to the tenth day of the month and receives approval of the work by the FRSA's Director of Engineering, FRSA shall issue payment before the fifth day of the succeeding month. If FRSA receives an acceptable invoice on or after the tenth day of the month, FRSA shall issue payment before the fifth day of the second succeeding month.

FRSA reserves the right at all times to refuse to issue payment in case the Contractor has neglected or failed to pay any subcontractors, workmen or employee on the work.

8. Subcontracts

No part of the work herein provided for shall be sublet or subcontracted without the express consent of FRSA, to be entered in the records, and in no case shall consent relieve the Contractor from the obligation herein entered into, or change the terms of this Agreement.

9. Contractor's Responsibility

This Contract shall extend to and be binding upon the successors and assigns, and upon the heirs, administrators, executors, and legal representatives of the Contractor.

In consideration of and to induce the award of this Contract to him, the Contractor represents and warrants: that he is not in arrears to FRSA upon debt of the Contract and that he is not a defaulter, as surety, contractor or otherwise; that he is financially solvent and sufficiently experienced and competent to perform the work; that the work can be performed as called for by the Contract; that the facts stated in his proposal and the information given by him is true and correct in all respects, and that he is fully informed regarding all the conditions affecting the work to be done and labor and materials to be furnished for the completion of this Contract and that his information was secured by personal investigation and research.

The Contractor shall pay not less than the prevailing wage rate as determined by the Department of Labor, to all laborers, workmen and mechanics performing work under this Contract. Contractor shall comply with current revisions of the wage standards; as required by law. The Contractor shall be responsible for verifying the prevailing wages each month and notifying all subcontractors of the appropriate monthly rates. The State of Illinois requires contractors and subcontractors on FRSA projects to submit certified payroll reports via the State's Certified Transcript of Payroll Portal currently found at: <https://www2.illinois.gov/idol/Laws-Rules/CONMED/Pages/certifiedtranscriptofpayroll.aspx>. The Contractor is responsible for verifying current website.

In regard to nondiscrimination in employment, Contractor will be required to comply with the Illinois Fair Employment Practices Commission's Rules and Regulations as provided herein.

The Contractor shall comply with the American Disabilities Act of 1990 (ADA). The Contractor will hold harmless and indemnify FRSA and their representatives from all:

- (a) suits, claims, or actions;
- (b) costs, either for defense (including but not limited to reasonable attorney's fees and expert witness fees) or for settlement, and;
- (c) damages of any kind (including but not limited to actual, punitive, and compensatory damages)

relating in any way to or arising out of the ADA, to which said firm is exposed or which it incurs in the execution of the contract.

Contractor shall also comply with Public Act 101-0221, which requires any party to a contract to adopt and enforce a written policy regarding sexual harassment that includes, as a minimum, the following information:

- (a) the illegality of sexual harassment
- (b) the definition of sexual harassment under Illinois State law;

- (c) a description of sexual harassment, utilizing examples;
- (d) my (our) organization's internal complaint process including penalties;
- (e) through the Illinois Department of Human Rights and the Illinois Human Rights Commission;
- (f) directions on how to contact the Department and the Commission; and
- (g) protection against retaliation as provided by Section 6-101 of the Illinois Human Rights Act.

Upon request this information will be provided to the Illinois Department of Human Rights. Upon FRSA award of a contract, FRSA will be provided this information described no more than ten working days after FRSA issues its award notification.

The Contractor shall comply with Public Act 96-929 (30 ILCS 570) which provides that Illinois residents be employed on Illinois public works projects, provided there has been a period of excessive unemployment (5%) in the State of Illinois as defined in the Act; and further, that Illinois workers are available and capable of performing the particular type work involved.

The Contractor shall comply with all rules and regulations of OSHA during the execution of this Contract.

The Contractor shall comply with the Federal Drug Free Workplace Act.

The Steel Products Procurement Act, Illinois Public Act 83-1030, requires that steel products used or supplied in performance of this Contract or subcontract shall be manufactured or produced in the United States with three exceptions, as explained in the Instructions to Bidders.

The Contractor shall comply with Public Act 96-1416 regarding the disposal of CCDD and uncontaminated soil at CCDD fill sites as explained in the Instructions to Bidders.

10. Time

Work under this Agreement shall be commenced upon written Notice to Proceed. Contract Length is May 1, 2023 – April 30, 2024. Patches under 100 SY shall be completed within three (3) calendar days of notification by FRSA. Patches over 100 SY shall be completed within seven (7) calendar days of notification by FRSA.

11. Liquidated Damages

The amount of liquidated damages shall be \$300.00 per calendar day per each location not completed per Time requirements noted above.

12. Counterparts

This Agreement may be executed and recorded in counterparts, each of which shall be deemed an original and all of which, when taken together, shall constitute one and the same instrument. The Parties hereby acknowledge and agree that facsimile signatures or signatures transmitted by electronic mail in so-called “pdf” format shall be legal and binding and shall have the same full force and effect as if an original of this Agreement had been delivered. Each of the parties (a) intend to be bound by the signatures on any document sent by facsimile or electronic mail, (b) are aware that the other party will rely on such signatures, and (c) hereby

waive any defenses to the enforcement of the terms of this Agreement based on the foregoing forms of signature.

13. Seals

IN WITNESS WHEREOF, the parties have hereunto set their hands and seals, and such of them as are corporations have caused these presents to be signed by their duly authorized officers.

Four Rivers Sanitation Authority
Winnebago County, Illinois

(Seal)

By _____
President, Board of Trustees

ATTEST: _____
Clerk of the Board

Contractor

(Corporate Seal)

By _____
Contractor's Officer

Name: _____
Title: _____
Date: _____

ATTEST: _____

Not to be used for bidding purposes

Labor & Material Payment Bond

TO: _____ Contractor Name
_____ Contractor City, State

KNOW ALL MEN BY THESE PRESENTS

That _____ (Contractor)

as Principal, and _____

a corporation of the State of _____ as Surety, are held and firmly bound unto the Four Rivers Sanitation Authority, as Obligee, for the use and benefit of claimants as hereinafter defined in the amount of

_____ Dollars (\$ _____), for the payment where of Principal and Surety bind themselves, their heirs, executors, administrators, successors and assigns, jointly and severally, firmly by these presents.

WHEREAS, Principal has by written agreement dated _____ 20__ Entered into a Contract with Obligee for _____ in accordance with contract documents prepared by the Four Rivers Sanitation Authority which Contract is by reference made a part hereof, and is hereinafter referred to as "the Contract".

NOW, THEREFORE, THE CONDITION OF THIS OBLIGATION is such that if Principal shall promptly pay for all laborers, workers and mechanics engaged in the work under the Contract, and not less than the general prevailing rate of hourly wages of a similar character in the locality in which the work is performed, as determined by the State of Illinois Department of Labor pursuant to the Illinois Compiled Statutes 280 ILCS 130 / 1-12 et.seq. and for all material used or reasonably required for use in the performance of the Contract, then this obligation shall be void; otherwise it shall remain in full force and effect.

1. A claimant is deemed as any person, firm, or corporation having contracts with the Principal or with any of Principal's subcontractors for labor or materials furnished in the performance of the Contract on account of which this Bond is given.
2. Nothing in this Bond contained shall be taken to make the Obligee liable to any subcontractor, material man or laborer, or to any other person to any greater extent than it would have been liable prior to the enactment of The Public Construction Bond Act, approved June 20, 1931, as amended; provided further, that any person having a claim for labor and materials furnished in the performance of the Contract shall have no right of action unless he shall have filed a verified notice of such claim with the Obligee within 180 days after the date of the last item of work or the furnishing of the last item of materials, which claim shall have been verified and shall contain the name and address of the claimant, the business address of the claimant within the State of Illinois, if any, or if the claimant be a foreign corporation having no place of business

within the State the principal place of business of the corporation, and in all cases of partnership the names and residences of each of the partners, the name of the Contractor for the Oblige, the name of the person, firm or corporation by whom the claimant was employed or to whom such claimant furnished materials, the amount of the claim and a brief description of the public improvement for the construction or installation of which the contract is to be performed. No defect in the notice herein provided for shall deprive the claimant of its right of action under the terms and provisions of this Bond unless it shall affirmatively appear that such defect has prejudiced the rights of an interested party asserting the same.

3. No action shall be brought on this Bond until the expiration of 120 days after the date of the last item of work or of the furnishing of the last item of material except in cases where the final settlement between Oblige and the Contractor shall have been made prior to the expiration of the 120 day period, in which case action may be taken immediately following such final settlement; nor shall any action of any kind be brought later than 6 months after the acceptance by the Oblige of the work. Such suit shall be brought only in the circuit court of this State in the judicial district in which the Contract is to be performed.
4. Surety hereby waives notice of any changes in the Contract, including extensions of time for the performance thereof.
5. The amount of this Bond shall be reduced by and to the extent of any payment or payments made in good faith hereunder.
6. The Principal and Surety shall be liable for any attorneys' fees, engineering costs, or court costs incurred by the Oblige relative to claims made against this Bond.

Signed and Sealed this _____ day of _____, 20__.

CONTRACTOR

SURETY

Contractor Firm Name

By: _____
Signature

By: _____
Attorney-in-Fact Signature

Printed Name

Printed Name

Title

Resident Agent

ATTEST:

Corporate Secretary (Corporations only)

Performance Bond

KNOW ALL MEN BY THESE PRESENTS, that WHEREAS, the Four Rivers Sanitation Authority has awarded to: _____ hereinafter designated as the “Principal”, a contract, dated, _____, for the Four Rivers Sanitation Authority.

WHEREAS, said Principal is required under the terms of said Contract to furnish a bond for the faithful performance of said Contract (the “Bond”);

NOW, THEREFORE, we the Principal and _____ as Surety, are firmly bound unto the Four Rivers Sanitation Authority in the penal sum of _____ Dollars (\$ _____) lawful money of the United States for the payment of which sum well and truly to be made, we bind ourselves, our heirs, executors, administrators, successors and assigns, jointly and severally firmly by these presents for a performance bond. The conditions of this obligation is such that if the said Principal does well and faithfully performs all the conditions and covenants of said Contract, according to the true intent and meaning thereof, upon its part to be kept and performed, then the above obligation is to be null and void, otherwise to remain in full force and effect.

THE CONDITION OF THIS OBLIGATION IS SUCH, that if the above bounden Principal, its heirs, executors, administrators, successors or assigns, shall in all things stand to and abide by, and well and truly keep and perform the covenants, conditions and agreements in the said Contract, including the provisions for liquidated damages in the said Contract, any changes, additions or alterations thereof made as therein provided, on its part, to be kept and performed at the time and in the manner therein specified, and in all respects according to their true intent and meaning, and shall indemnify and save harmless the Four Rivers Sanitation Authority, its officers and agents, as therein stipulated, then this obligation shall become null and void; otherwise it shall be and remain in full force and effect. And the said Surety, for value received, hereby stipulates and agrees that no change, extension of time, alteration or addition to the terms of the Contract or to the work to be performed thereunder or the specifications accompanying the same and no inadvertent overpayment of progress payments shall in any way affect its obligations on this Bond, and it does hereby waive notice of any such change, extension of time, alteration or addition to the terms of the Contract or to the work or to the specifications or of any inadvertent overpayment of progress payments. The Four Rivers Sanitation Authority shall be named as beneficiary on this Performance Bond.

IN WITNESS WHEREOF, the above-bounden parties have executed this instrument under their seal this _____ day of _____, 20_____, the name and corporate seal of each corporate party being hereto affixed and these presents duly signed by its undersigned representative, pursuant to authority of its governing body.

CONTRACTOR

SURETY

Contractor Firm Name

By: _____
Signature

Printed Name

Title

By: _____
Attorney-in-Fact Signature

Printed Name

Resident Agent

ATTEST:

Corporate Secretary (Corporations only)

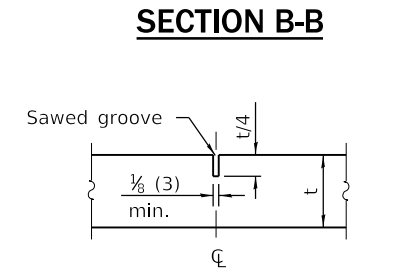
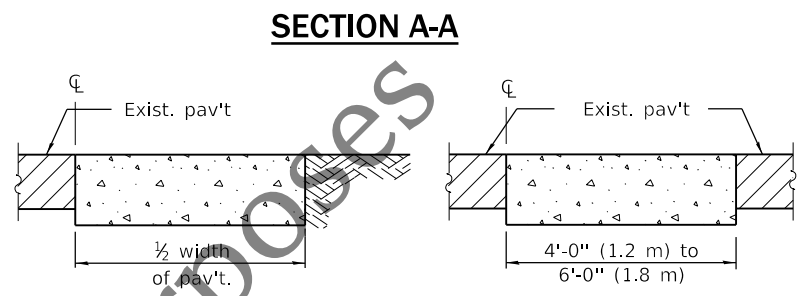
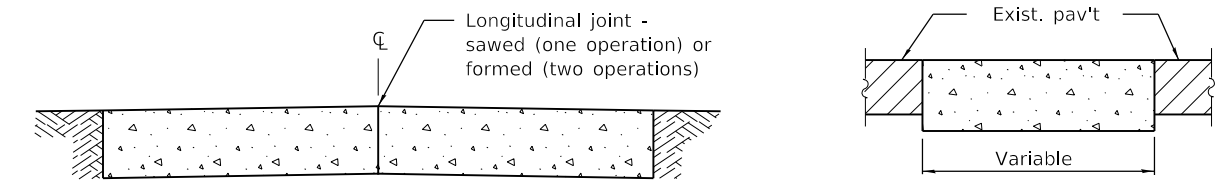
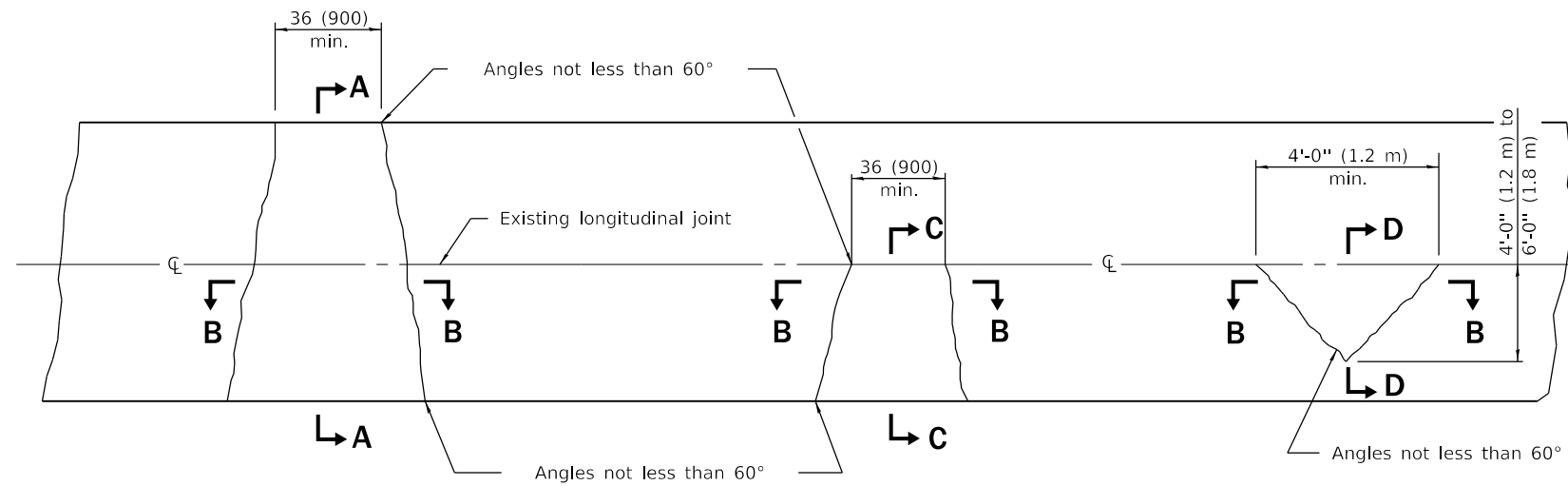
Not to be used for bidding purposes

Section III

IDOT Highway Standards

Not to be used for bidding purposes

CLASS C

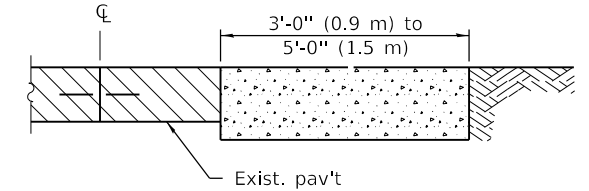
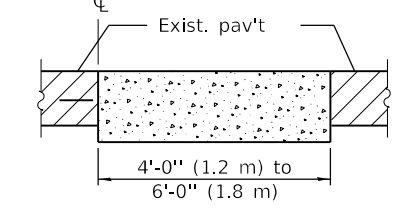
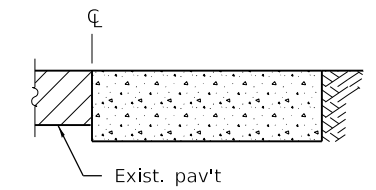
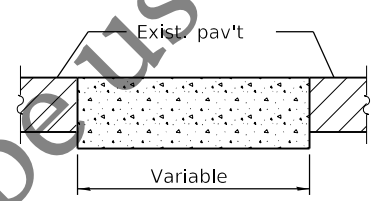
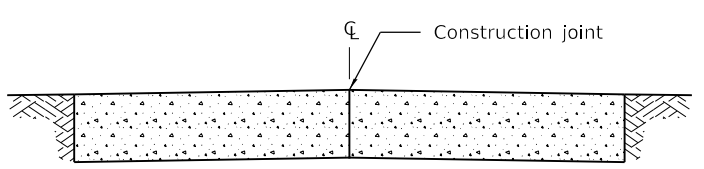
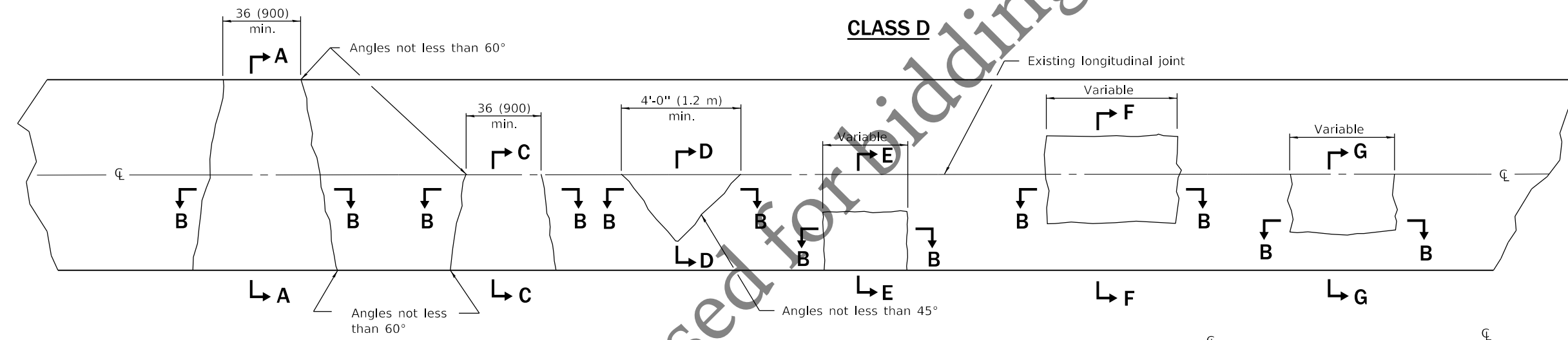


SECTION C-C **SECTION D-D**

DETAIL OF SAWED CONTRACTION JOINT

Note:
Longitudinal joints shall be as detailed on Standard 420001, except tie bars are not required for patches 20'-0" (6.0 m) or less in length.

CLASS D



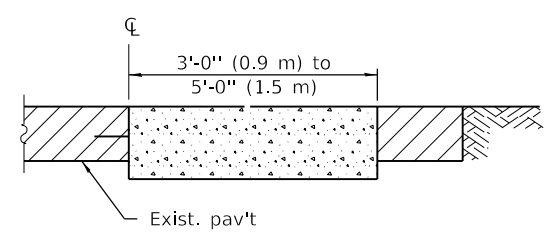
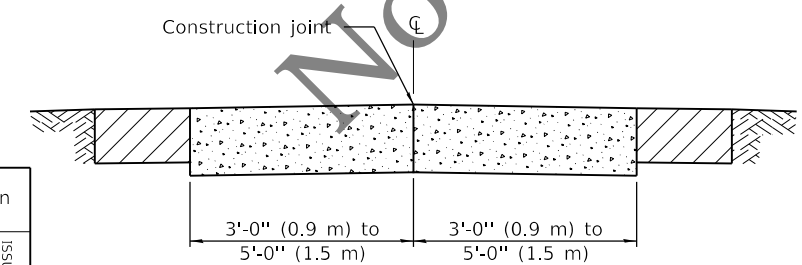
SECTION A-A
(Built in two operations)

SECTION B-B

SECTION C-C

SECTION D-D

SECTION E-E



SECTION F-F
(Built in two operations)

SECTION G-G

GENERAL NOTES

Existing tie bars shall be either cut or removed. Marginal bars shall be cut.

All dimensions are in inches (millimeters) unless otherwise shown.

DATE	REVISIONS
1-1-08	Switched units to English (metric).
1-1-07	Revised Note for Class C patches.

CLASS C and D PATCHES

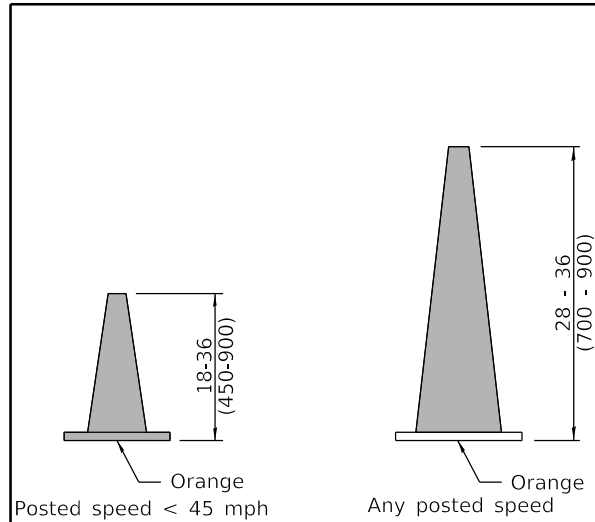
STANDARD 442201-03

Illinois Department of Transportation

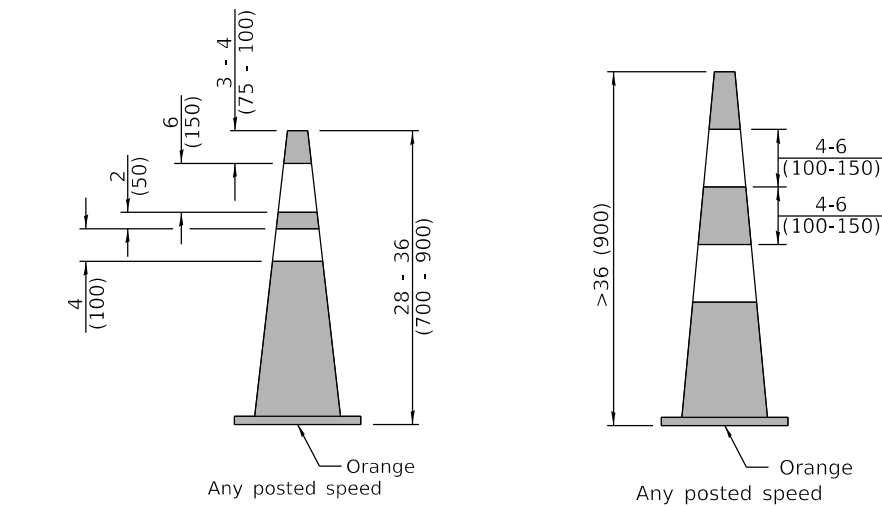
PASSED January 1, 2008
Scott Smith
 ENGINEER OF POLICY AND PROCEDURES

APPROVED January 1, 2008
Lee E. Han
 ENGINEER OF DESIGN AND ENVIRONMENT

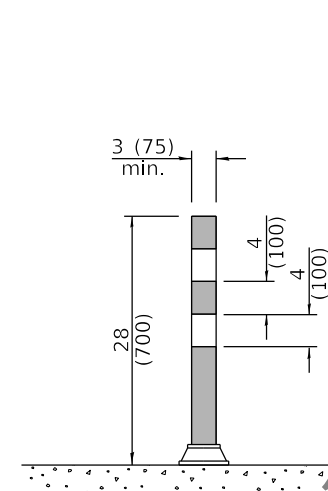
ISSUED 1-1-97



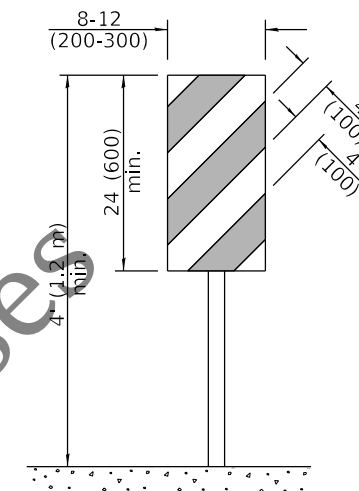
DAYTIME USE



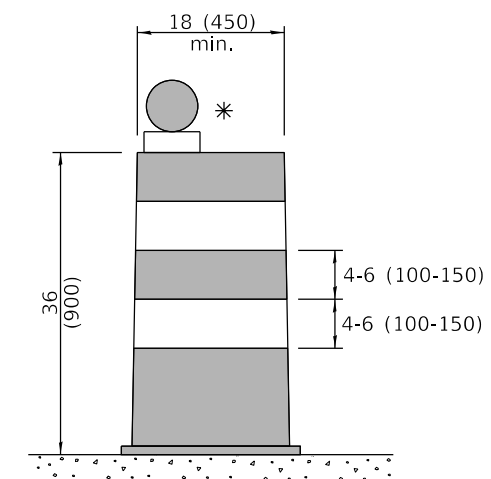
DAY OR NIGHTTIME USE



TUBULAR MARKER

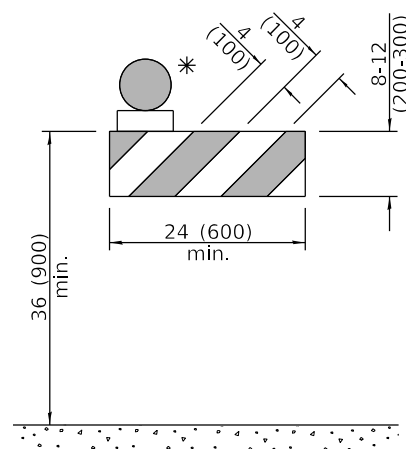


**VERTICAL PANEL
POST MOUNTED**

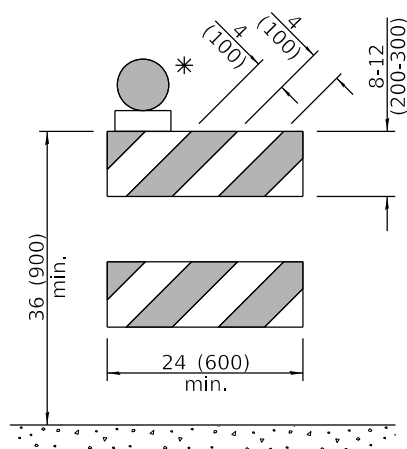


DRUM

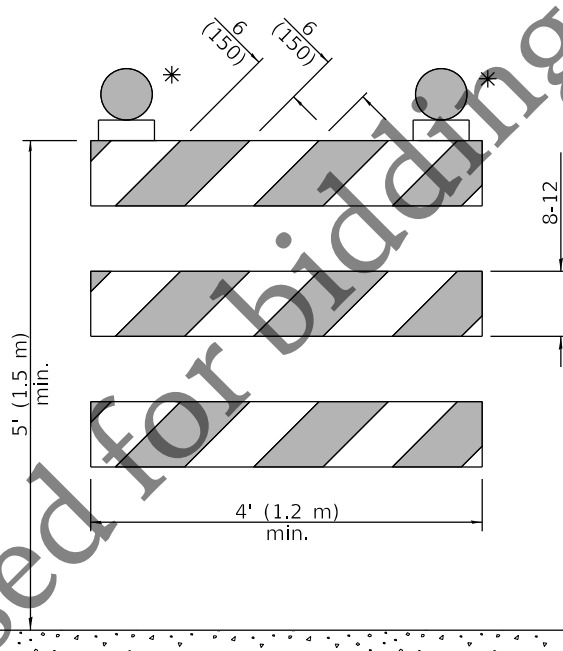
CONES



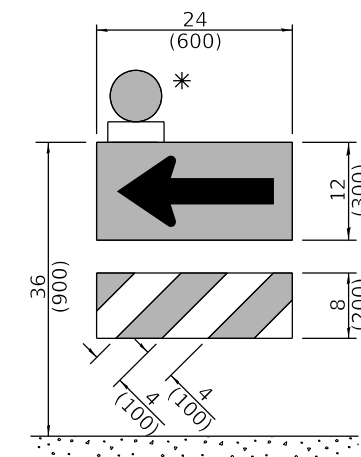
TYPE I BARRICADE



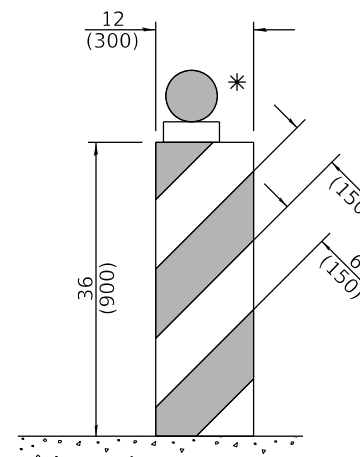
TYPE II BARRICADE



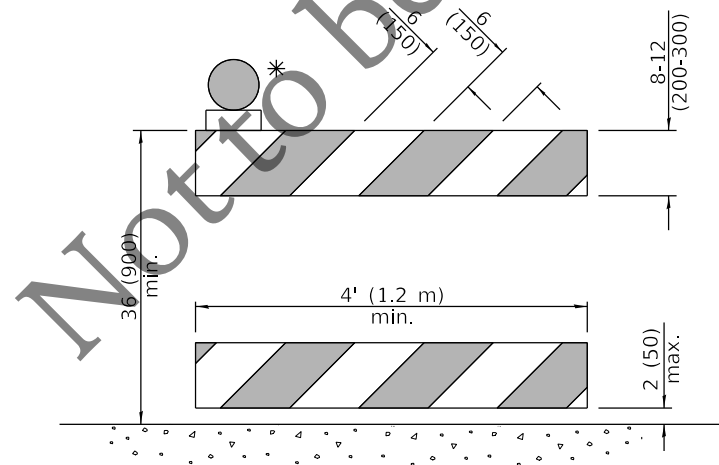
TYPE III BARRICADE



**DIRECTION INDICATOR
BARRICADE**



VERTICAL BARRICADE



**DETECTABLE PEDESTRIAN
CHANNELIZING BARRICADE**

* Warning lights (if required)

GENERAL NOTES

All heights shown shall be measured above the pavement surface.
All dimensions are in inches (millimeters) unless otherwise shown.

DATE	REVISIONS
1-1-19	Revised cone usage and added cones >36" (900 mm) height.
1-1-18	Revised END WORK ZONE SPEED LIMIT sign from orange to white background.

TRAFFIC CONTROL DEVICES

(Sheet 1 of 3)

STANDARD 701901-08

Illinois Department of Transportation

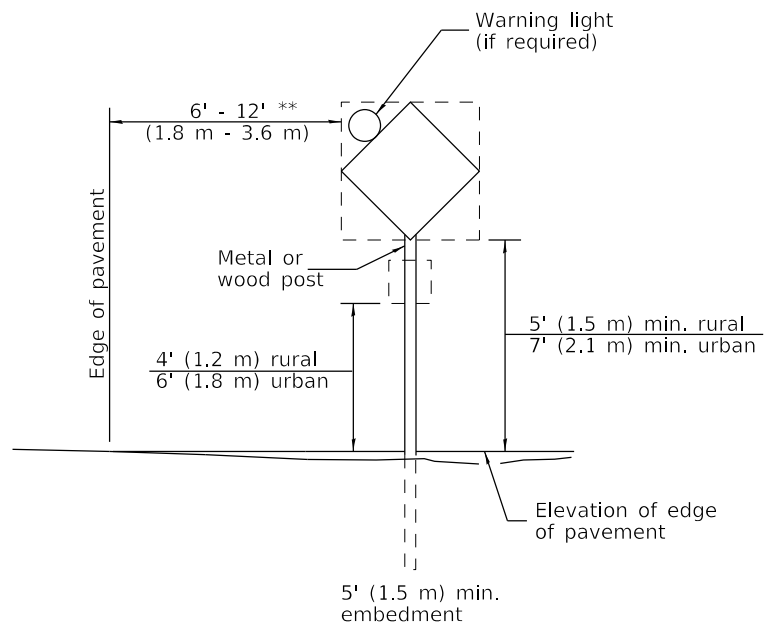
APPROVED January 1, 2019

 ENGINEER OF SAFETY PROG. AND ENGINEERING

APPROVED January 1, 2019

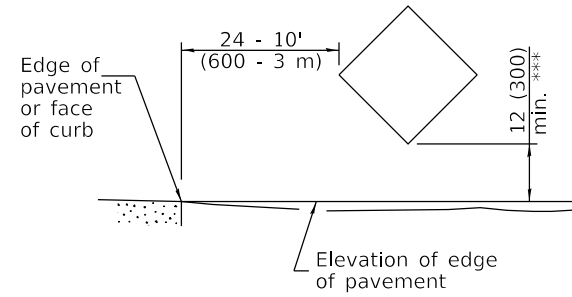
 ENGINEER OF DESIGN AND ENVIRONMENT

ISSUED
 ET-1-1 (08/05)



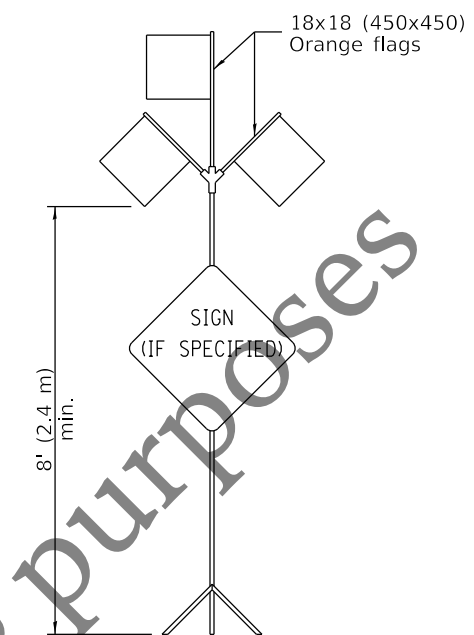
POST MOUNTED SIGNS

** When curb or paved shoulder are present this dimension shall be 24 (600) to the face of curb or 6' (1.8 m) to the outside edge of the paved shoulder.

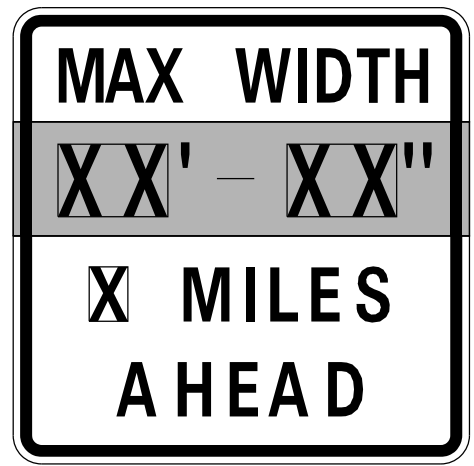


SIGNS ON TEMPORARY SUPPORTS

*** When work operations exceed four days, this dimension shall be 5' (1.5 m) min. If located behind other devices, the height shall be sufficient to be seen completely above the devices.



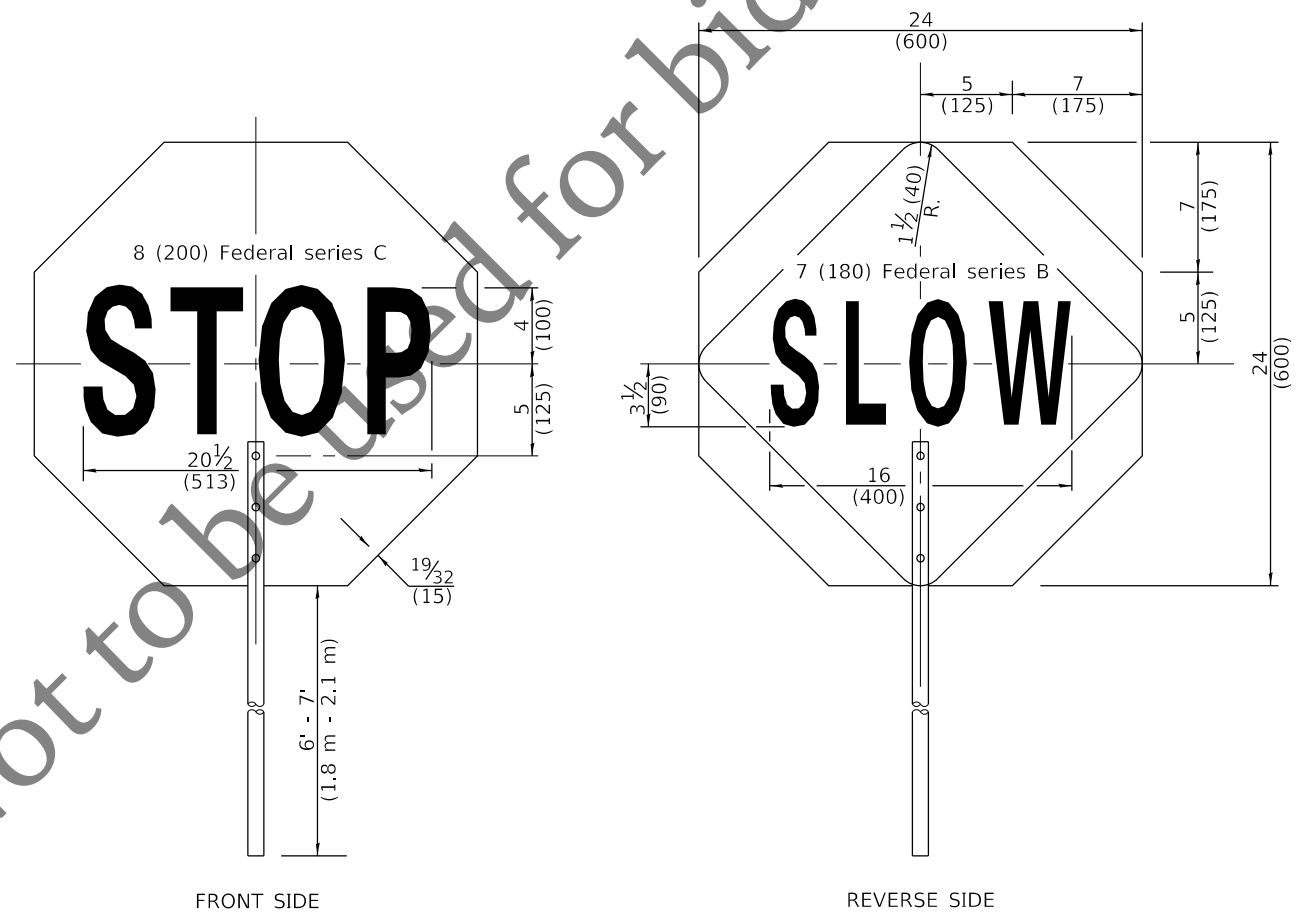
HIGH LEVEL WARNING DEVICE



W12-I103-4848

WIDTH RESTRICTION SIGN

XX'-XX" width and X miles are variable.



FLAGGER TRAFFIC CONTROL SIGN

ROAD CONSTRUCTION NEXT X MILES	END CONSTRUCTION
G20-I104(0)-6036	G20-I105(0)-6024

This signing is required for all projects 2 miles (3200 m) or more in length.

ROAD CONSTRUCTION NEXT X MILES sign shall be placed 500' (150 m) in advance of project limits.

END CONSTRUCTION sign shall be erected at the end of the job unless another job is within 2 miles (3200 m).

Dual sign displays shall be utilized on multi-lane highways.

WORK LIMIT SIGNING

WORK ZONE	W21-III5(0)-3618
SPEED LIMIT XX	R2-1-3648
PHOTO ENFORCED	R10-I108p-3618 ****
\$XXX FINE MINIMUM	R2-I106p-3618

Sign assembly as shown on Standards or as allowed by District Operations.

END WORK ZONE SPEED LIMIT	G20-I103-6036
---------------------------	---------------

This sign shall be used when the above sign assembly is used.

HIGHWAY CONSTRUCTION SPEED ZONE SIGNS

**** R10-I108p shall only be used along roadways under the jurisdiction of the State.

Illinois Department of Transportation

APPROVED January 1, 2019
Cynthia Watt
 ENGINEER OF SAFETY PROG. AND ENGINEERING

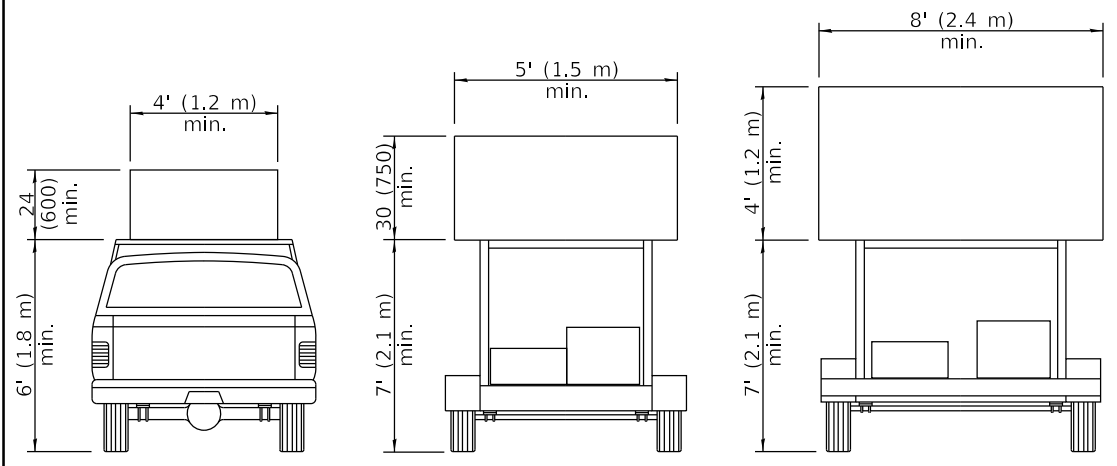
APPROVED January 1, 2019
J. E. ...
 ENGINEER OF DESIGN AND ENVIRONMENT

ISSUED 1-1-13

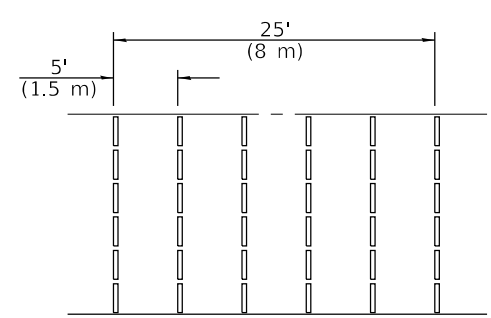
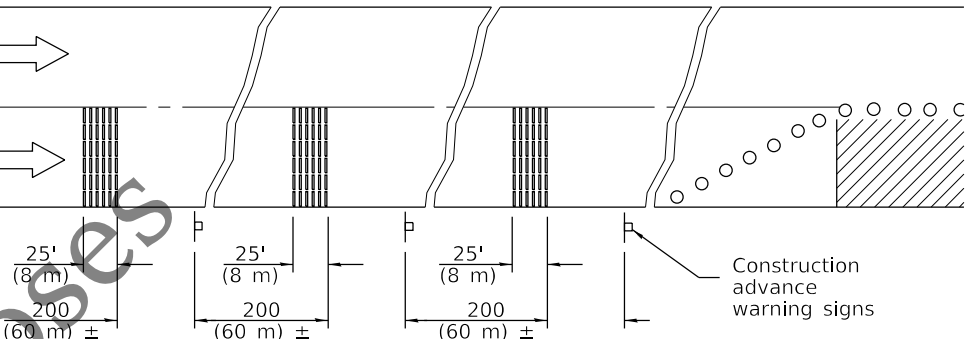
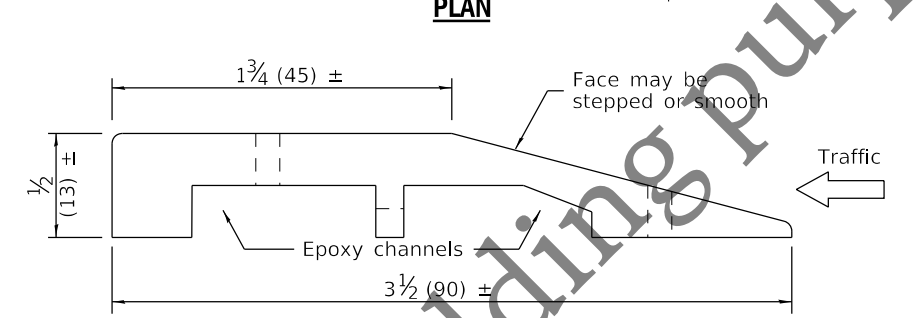
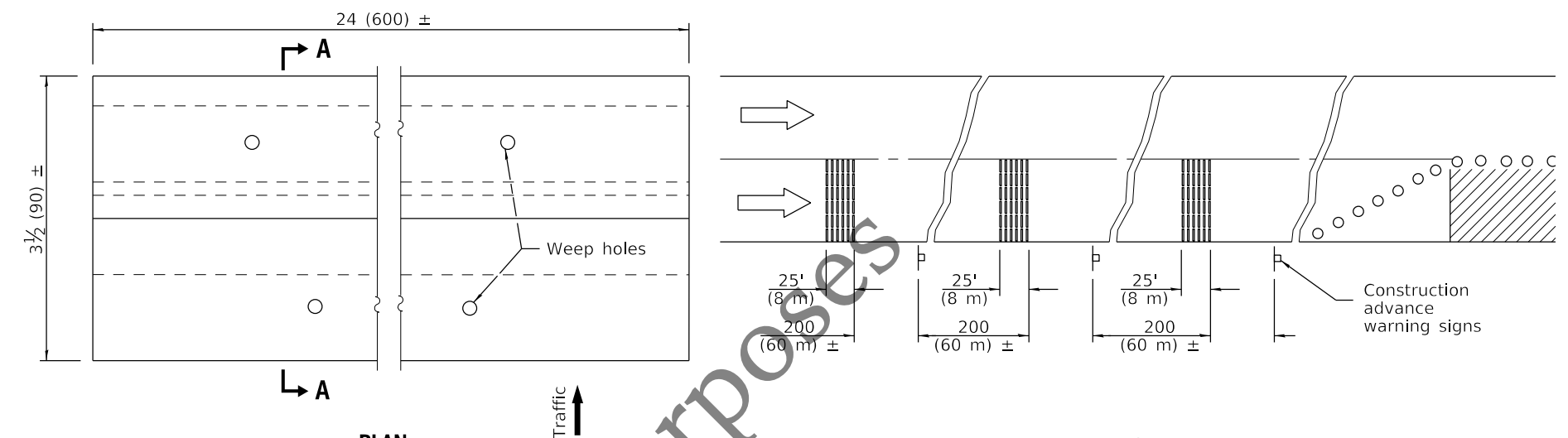
TRAFFIC CONTROL DEVICES

(Sheet 2 of 3)

STANDARD 701901-08

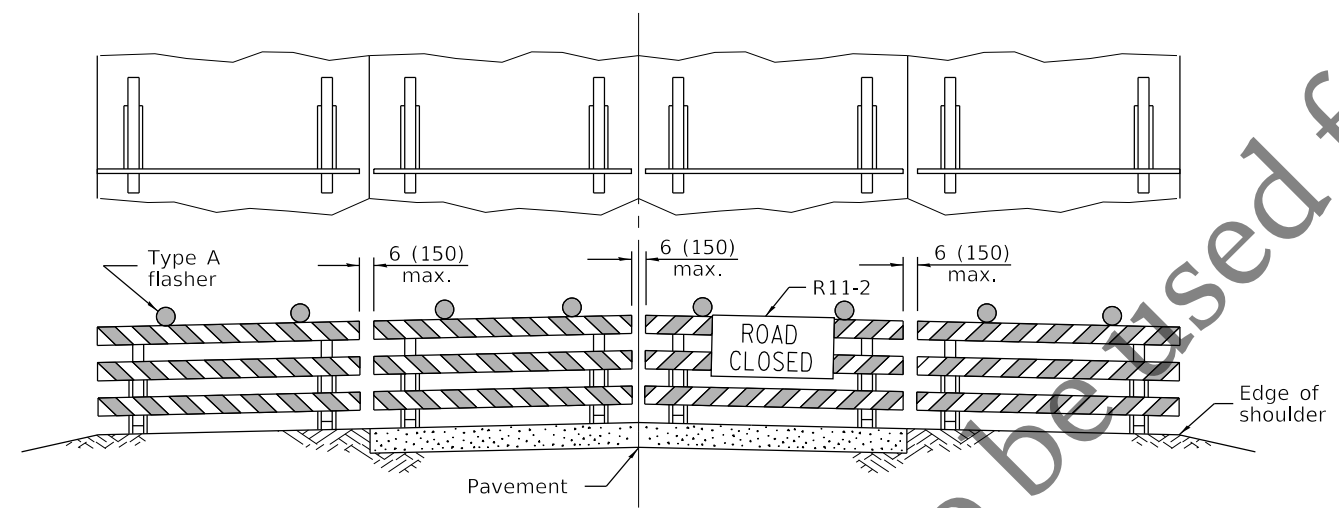


ARROW BOARDS



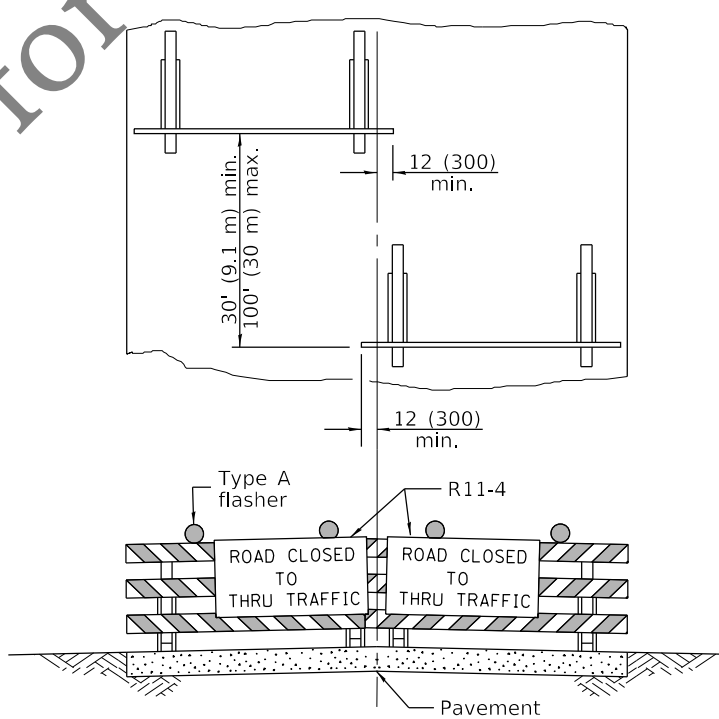
TYPICAL INSTALLATION

TEMPORARY RUMBLE STRIPS



ROAD CLOSED TO ALL TRAFFIC

Reflectorized striping may be omitted on the back side of the barricades. If a Type III barricade with an attached sign panel which meets NCHRP 350 is not available, the sign may be mounted on an NCHRP 350 temporary sign support directly in front of the barricade.



ROAD CLOSED TO THRU TRAFFIC

Reflectorized striping shall appear on both sides of the barricades. If a Type III barricade with an attached sign panel which meets NCHRP 350 is not available, the signs may be mounted on NCHRP 350 temporary sign supports directly in front of the barricade.

TYPICAL APPLICATIONS OF TYPE III BARRICADES CLOSING A ROAD

Illinois Department of Transportation

APPROVED January 1, 2019
Cynthia Watt
 ENGINEER OF SAFETY PROG. AND ENGINEERING

APPROVED January 1, 2019
Joe E. ...
 ENGINEER OF DESIGN AND ENVIRONMENT

ISSUES
 E1-1-1 Q35S1

TRAFFIC CONTROL DEVICES

(Sheet 3 of 3)

STANDARD 701901-08

Section IV

General Provisions & Technical Specifications for Sanitary Sewer Construction

(Separate document incorporated by reference)